

The background features a large, curved blue shape on a black background, with two silver metallic-looking curved lines. The Mercury Racing logo is positioned on the left side of the blue shape.

**MERCURY**  
**RACING**

**APEX SERIES**

**COMPETITION OUTBOARDS**



# WIN WIDE OPEN

Mercury Racing is more than a name. The heat of competition warms our soul. Technology of the future excites our imagination. This passion defines the new Mercury Racing Apex Series, pure competition outboards designed to perform at the pinnacle of closed-course racing – the quickest, fastest, smartest four-stroke outboards to ever boil the water. There's only one way to lead to the finish line. Wide Open, of course.



# APEX SERIES

## COMPETITION OUTBOARDS

Unleashing 20 high-strung tunnel boats on a tight course is a formula for excitement. Closed-course powerboat racing is a thrilling motorsport, and Mercury Racing Apex Series outboards are created to perform at the pinnacle of this intense competition. Apex Series competition outboards are tuned to deliver amazing torque and incredible speed from a durable, low-emissions four-stroke powerhead that sets a new benchmark for circuit-racing performance and technology.





## APX POWERHEAD TECHNOLOGY

APX power output is partially achieved by the competition engine calibration. While bred for racing, this four-stroke powerhead is also designed to deliver unmatched durability and reduced maintenance in a competition environment.

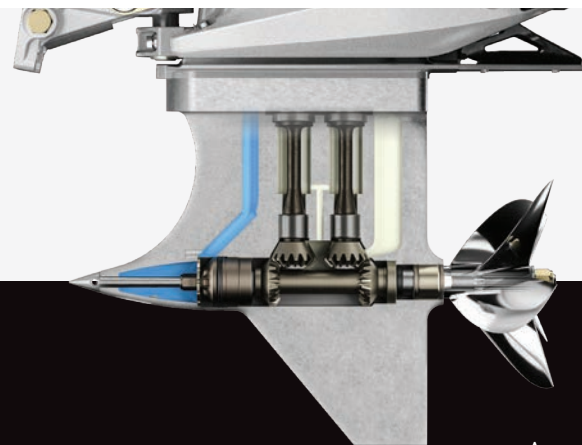
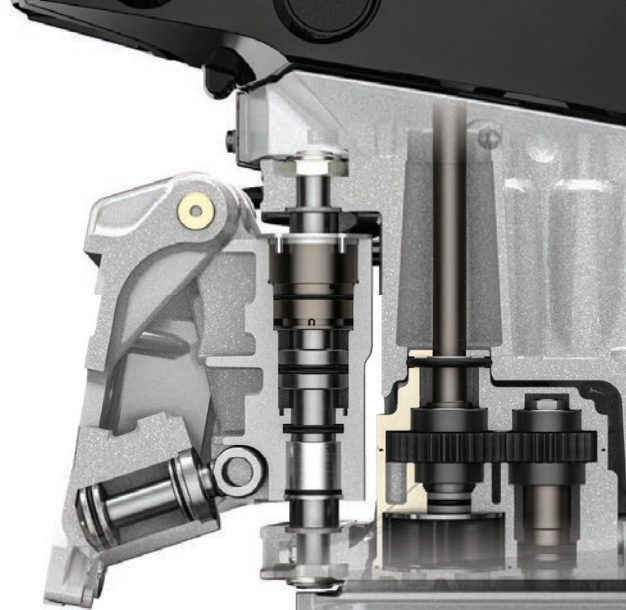
A digital control offers smooth and precise throttle application. The 24-volt starter produces instant dockside starting in competition. The motor is equipped with integrated light-weight steering arms for tunnel boat cable steering.



**90%  
LOWER EXHAUST  
EMISSIONS**  
THAN THE LEGACY  
TWO-STROKE  
RACING ENGINES

## MIDSECTION

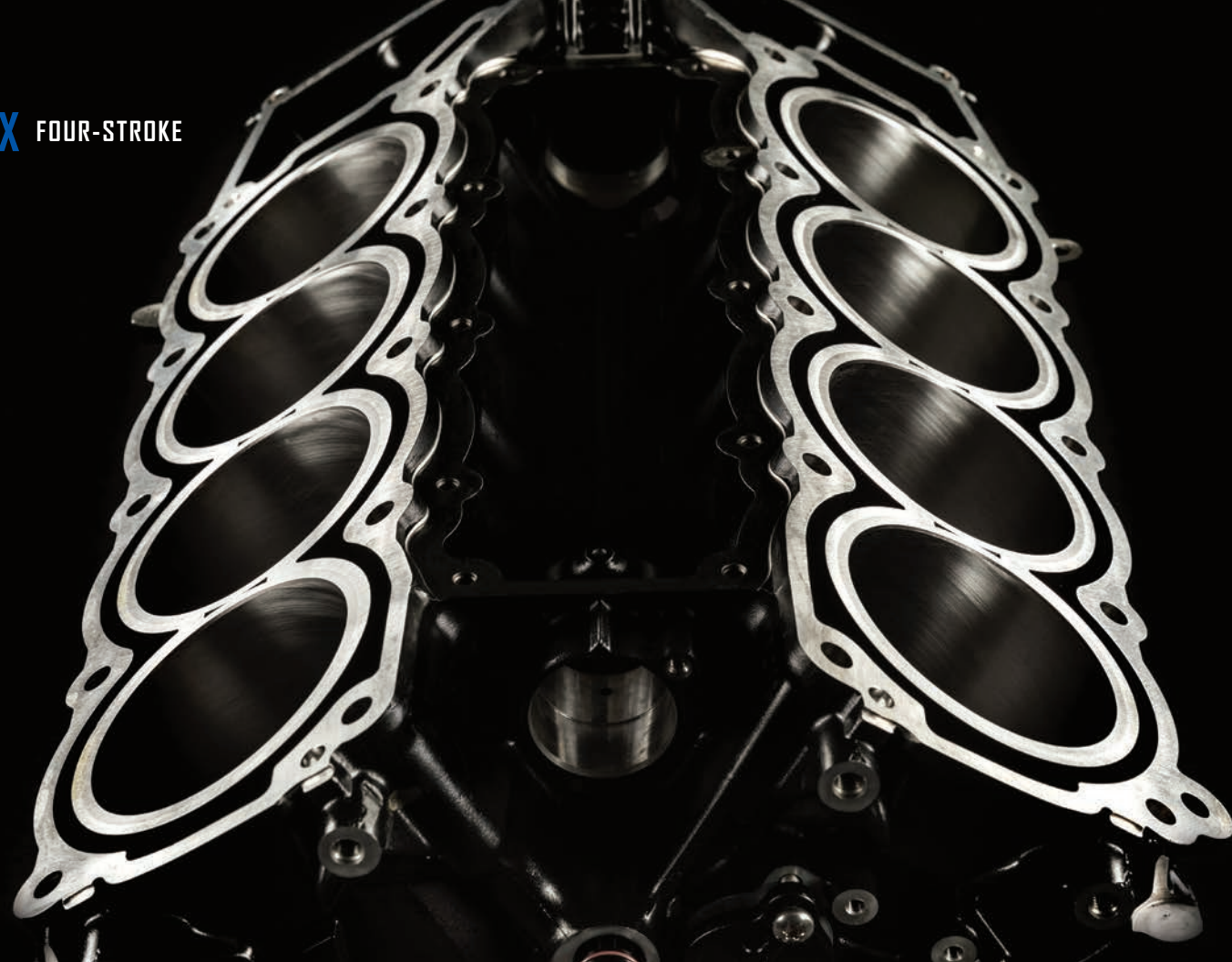
The 12-inch midsection is designed specifically for tunnel boat applications, with a structural wet sump driveshaft housing and integrated power trim and lift with remote pumps. An overdrive spur gearset between the crankshaft and the gearcase increases the input shaft speed to the gearcase and produces the left-hand propeller rotation desired for both Formula 1 and 2 circuit racing. The overdrive gears are designed to accommodate multiple ratios for dialed-in performance in any racing situation.



Above-water exhaust offers unrestricted flow and produces an exciting tone for racing fans.

An evolved Mercury Racing Super Speed Master (IV SSM) outboard gearcase is direct-drive with no neutral or reverse shifting.

360 APX FOUR-STROKE





# 360 APX

## COMPETITION OUTBOARD

The Mercury Racing 360 APX is a potent competition outboard designed specifically to power Formula One tunnel boats in the premier class of the UIM F1H20 World Championship. The 360 APX is tuned to deliver amazing torque from a durable, low-emissions four-stroke V8 powerhead that sets a new benchmark for circuit-racing performance.



360 APX

## 4.6L / V8

A 4.6-liter V8 powerhead is naturally aspirated and features deep-breathing dual overhead cam/four-valve architecture with a short-runner intake manifold mated to a cold-air induction system. An 11:1 compression ratio boosts torque output while the 7000 RPM redline extends the power curve. A dynamic oil pickup system is designed to maintain critical engine oil pressure under high-G loads. Engine weight is optimized by cutting down the flywheel, eliminating the balance shaft, and employing a carbon fiber top cowl.





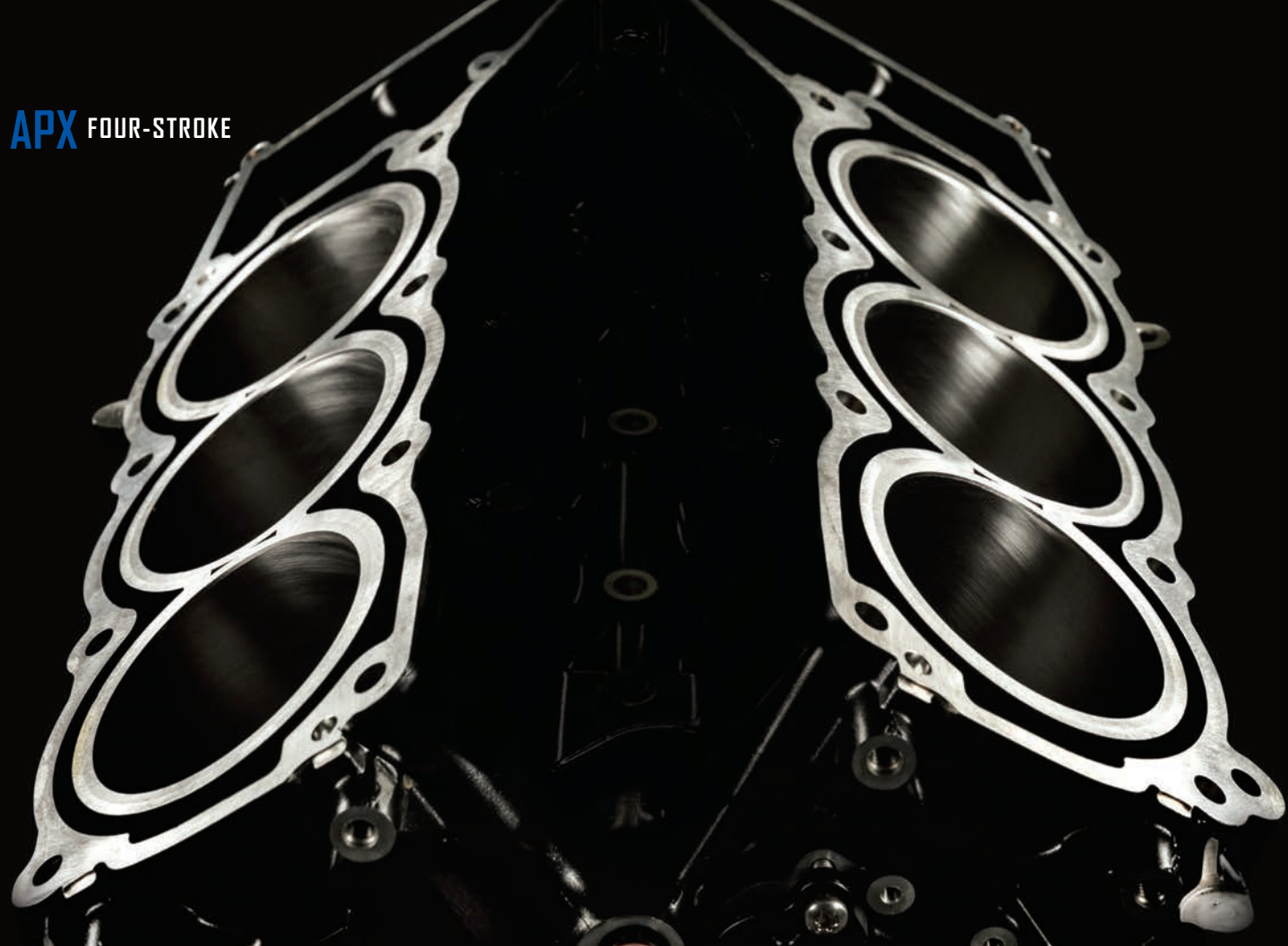
## 360 APX 4.6L V8 FOURSTROKE

HORSEPOWER (HP/KW)	360 / 268
MAX WOT RPM	7000
ENGINE TYPE	V-8 (64 Degree) with 32-Valve Dual Overhead Cam (DOHC)
DISP. (LITER/CID)	4.6/279
INDUCTION SYSTEM	Short-Runner Intake Manifold with Forced Cold Air Induction
FUEL REQUIREMENTS	Unleaded 91 Octane Minimum (R+M/2) or 98 RON; 10% Ethanol Max
CHARGING (AMP/WATT)	85/1071
THROTTLE	Digital
MIDSECTION	Circuit Racing Specific 12" Midsection Direct Mounted with Integral Trim and Lift
GEARCASE	IV SSM
GEAR RATIO	1.13 (15:17)
DRY WEIGHT <sup>1</sup> (LB/KG)	430/195

<sup>1</sup>Dry weight refers to base engine without liquids, battery cables, throttle/shift cables, bolt-on steering components, mounting hardware, or propeller/hub kits.



200 APX FOUR-STROKE





# 200 APX

## COMPETITION OUTBOARD

The Mercury Racing 200 APX is a powerful V6 four-stroke outboard designed for UIM F2 and APBA OPC tunnel boat racing. Rated at more than 200 horsepower, the 200 APX outboard offers racers a very durable powerhead and the latest in four-stroke engine technology, while reducing exhaust emissions by 90 percent compared to the legacy two-stroke competition outboards.



200 APX

## 3.4L / V6

This potent V6 outboard features a 3.4-liter powerhead with deep-breathing double overhead cam/four-valve architecture. For competition, the compression ratio is boosted to 11:1 and peak RPM pushed to 6800. A lightweight carbon fiber cowl incorporates forced cold air induction. This engine is designed to perform on 91-octane pump gasoline fuel. The 200 APX features a precise digital throttle control, and is equipped with a 24-volt starting system.





## 200 APX 3.4L V6 FOURSTROKE

HORSEPOWER (HP/KW)	200 / 149
MAX WOT RPM	6800
ENGINE TYPE	V6 (64 Degree) with Dual Overhead Cam (DOHC) & 24-valves
DISP. (LITER/CID)	3.4/209
INDUCTION SYSTEM	Long-Runner Intake Manifold with Forced Cold Air Induction
FUEL REQUIREMENTS	Unleaded 91 Octane Minimum (R+M/2) or 98 RON; 10% Ethanol Max
CHARGING (AMP/WATT)	85/1071
THROTTLE	Digital
MIDSECTION	Circuit Racing Specific 12" Midsection Direct Mounted with Integral Trim and Lift
GEARCASE	IV SSM
GEAR RATIO	1.13 (15:17)
DRY WEIGHT <sup>1</sup> (LB/KG)	395/179

<sup>1</sup>Dry weight refers to base engine without liquids, battery cables, throttle/shift cables, bolt-on steering components, mounting hardware, or propeller/hub kits.





[MercuryRacing.com/apex-series](https://MercuryRacing.com/apex-series)

**APRIL 2021 MER-1036**

© 2021 Mercury Racing. All Right Reserved. Reproduction in whole or in part without permission is prohibited. Circle M Logo, Mercury and Mercury Racing are registered trademarks of Brunswick Corporation. Wide Open is a trademark of Brunswick Corporation.

*Product information in this brochure is accurate as of April 1, 2021.  
For the latest content, please visit [MercuryRacing.com](https://MercuryRacing.com)*