

1989

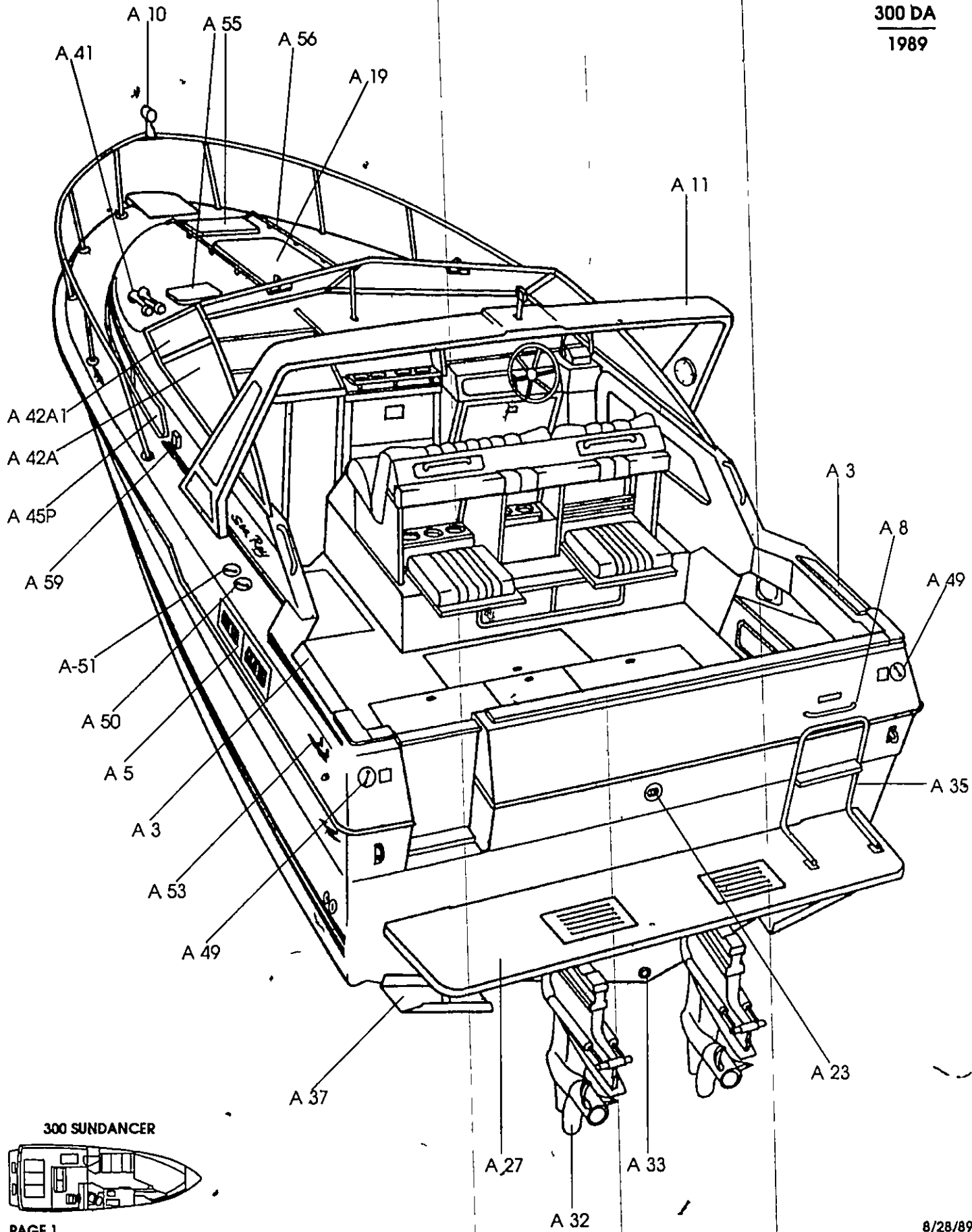
**300
SUNDANCER**



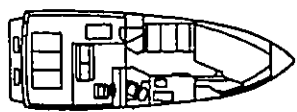
A Brunswick Company

EXTERIOR

Sea Ray
A Brunswick Company
300 DA
1989



300 SUNDANCER



PAGE 1

8/28/89

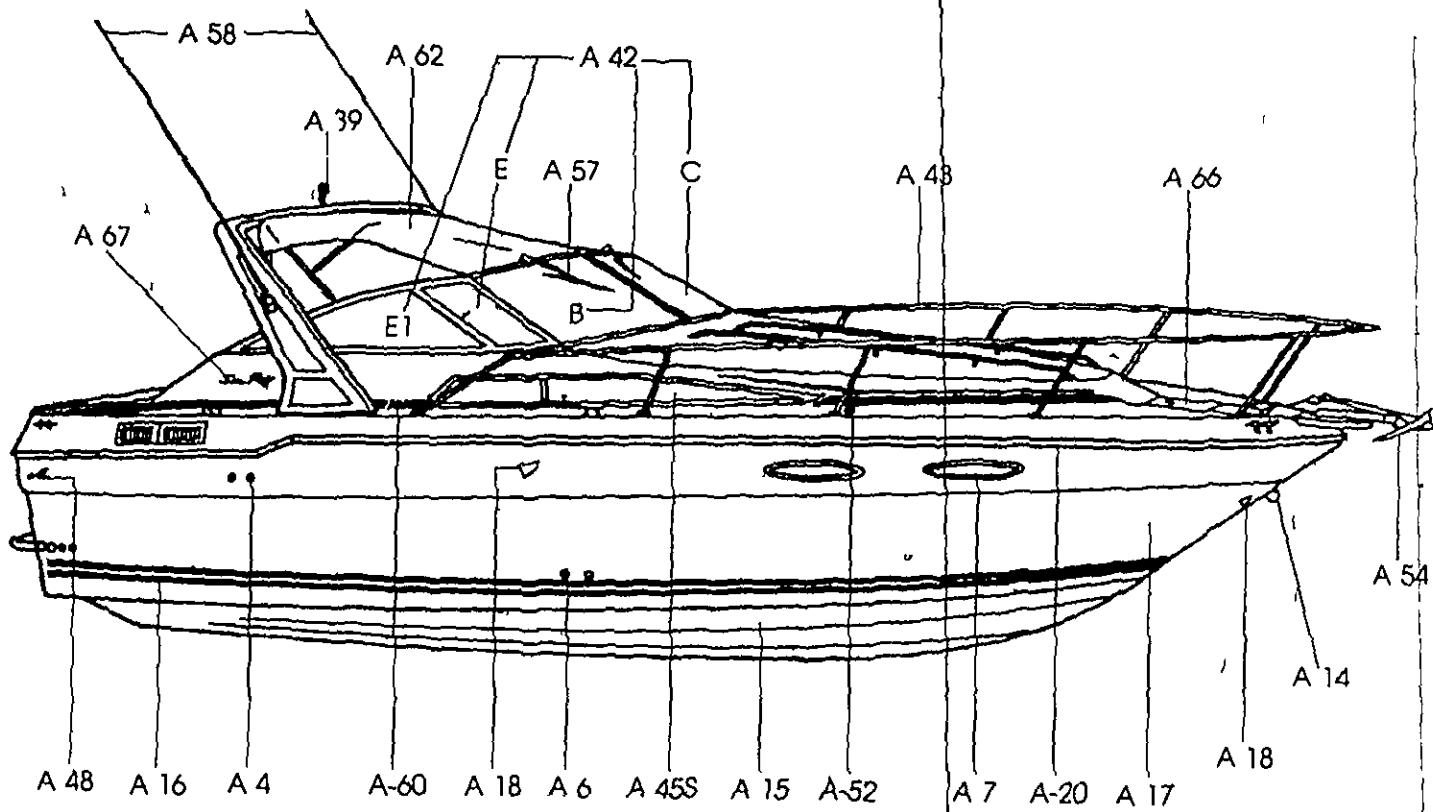
300 SUNDANCER - 1989



| | | | | |
|--------|--------|--------------------------------|---------|----|
| A-03 | 317529 | Sibd Teak Step Pad | 75 00 | ea |
| A-03 | 317537 | Port Teak Step Pad | 75 00 | ea |
| A-05 | 222034 | Plastic Louvered Vent White | 4 00 | ea |
| A-08 | 136432 | 11 Grab Rail | 16 00 | ea |
| A 10 | 129890 | Spotlight 5 | 287 50 | ea |
| A 10 | 129932 | Spotlight Control Cable | 16 00 | ea |
| A 10 | 136291 | Bowform Spotlight Rail w/Plate | 120 00 | ea |
| A 11 | 317545 | Fiberglass Spoiler Complete | 1995 00 | ea |
| A 11 | 137109 | Alum Hardtop Rubrail | 15 00 | ea |
| A 11 | 123265 | Pre-cut Plex Spoiler Cover | 43 00 | ea |
| A 11 | 137349 | 5 Access Cover Plate White | 5 00 | ea |
| A 11 | 335489 | Spoiler Outboard Access Cover | 35 00 | ea |
| A 19 | 317552 | Sundeck Cush Complete White | 140 00 | ea |
| A 19 | 317560 | Sundeck Cush Skin White | 92 50 | ea |
| A 23 | 137380 | Stern Flush Mount Nav Light | 11 50 | ea |
| A 27 | 331694 | Swim Platform w/Teak Inserts | 1495 00 | ea |
| A 27 | 334763 | Teak Inserts | 150 00 | ea |
| A 27 | 335798 | Swim Platform Mounted Plates | 24 50 | ea |
| A 27 | 136481 | Tubing SS 7/8 x .035 x 20 | 2 00 | ft |
| A 32 | 127431 | Dual Volvo Alum Prop | 412 00 | ea |
| A 32 | 127340 | 14 x 19 Alum Prop | 152 00 | ea |
| A 33 | 126615 | Garboard Drain Plug w/Flange | 5 00 | ea |
| A 35 | 136374 | Swim Ladder | 145 00 | ea |
| A 35 | 129569 | Swim Ladder Danger Plate | 1 00 | ea |
| A 37 | 141820 | 22 x 9 Sgl Act Trim Tab Assy | 470 50 | ea |
| A 37 | 286153 | 3 pc Port Plate Assy 22 x 9 | 52 00 | ea |
| A 37 | 286161 | 3 pc Sibd Plate Assy 22 x 9 | 52 00 | ea |
| A 37 | 271452 | Trim Tab Ram | 44 00 | ea |
| A 37 | 214466 | Trim Tab Zinc | 9 00 | ea |
| A-41 | 212522 | Single Trumpet Horn | 41 50 | ea |
| A-41 | 212746 | Dual Trumpet Horn | 85 00 | ea |
| A-42A | 304162 | Port Wing w/Hdwe | 250 00 | ea |
| A 42A1 | 304170 | Port Vent w/Hdwe | 82 50 | ea |
| A-44 | 148643 | Teak Bow Pulpit | 295 00 | ea |
| A 45P | 275743 | Port Deck Side Window | 265 00 | ea |
| A 45P | 276238 | Port Deck Side Screen | 48 00 | ea |
| A-49 | 126763 | Deck Fuel Plate | 27 50 | ea |
| A 49 | 128942 | Gas Recommendation Label | 1 00 | ea |
| A 50 | 126771 | Deck Water Plate | 25 00 | ea |
| A 51 | 126789 | Deck Waste Plate | 25 00 | ea |
| A 53 | 126672 | 8 SS Cleat | 16 00 | ea |
| A 55 | 226837 | 20 x 20 Low Profile Deck Hatch | 175 00 | ea |
| A 55 | 226795 | 12 x 12 Low Profile Deck Hatch | 130 00 | ea |
| A 56 | 136598 | Deck Rail Runner | 87 00 | ea |
| A 59 | 206276 | Shore Power Inlet White 220/50 | 32 50 | ea |
| A 59 | 206268 | 220/50 16A 50 Cord-Set | 97 50 | ea |
| A 59 | 133645 | 120v/30A 50 Cord Set | 78 00 | ea |
| A 59 | 133678 | Shore Power Inlet White 30A | 26 50 | ea |
| A 59 | 133637 | Galvanic Blocker DC | 50 50 | ea |
| A 59 | 133652 | Shore Cord Adapter 30A | 28 50 | ea |
| A 59 | 133728 | Pin/Sleeve Inlet Euro 220/50 | 46 50 | ea |
| A 59 | 133751 | Pin/Sleeve Conn 220/50 | 68 50 | ea |
| A 59 | 133769 | Pin/Sleeve Closure Plug Inlet | 22 00 | ea |

EXTERIOR

Sea Ray
A Brunswick Company
300 DA
1989



300 SUNDANCER



PAGE 2

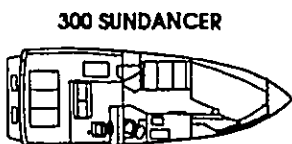
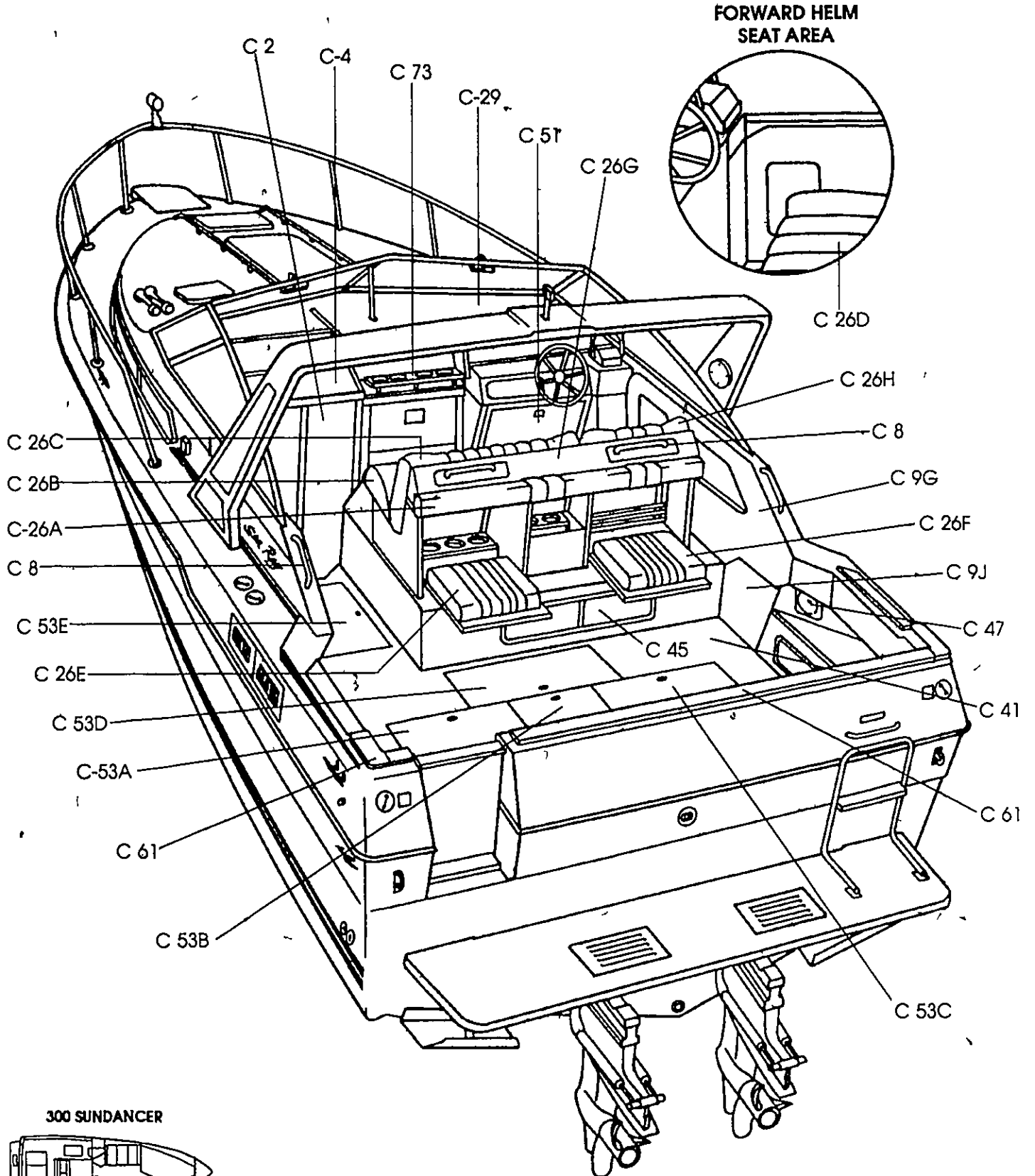
8/28/89

300 SUNDANCER - 1989



| | | | | | | | | | |
|--------|--------|---------------------------------|---------|----|------|--------|---------------------------------|--------|----|
| A-04 | 126888 | Fuel Vent | 5 00 | ea | A-62 | 304279 | 36A1A26 Aft Curtain Blue | 355 50 | ea |
| A-06 | 182964 | Plastic 3/4 Thru hull White | 1 00 | ea | A-62 | 304287 | 36A1A31 Aft Curtain Burg | 355 50 | ea |
| A-06 | 124578 | Plastic 1 1/8 Thru hull White | 5 00 | ea | A-62 | 304295 | 36A1A05 Aft Curtain Teal | 355 50 | ea |
| A-06 | 124537 | Plastic 1 1/2 Thru-hull White | 5 50 | ea | A-62 | 304261 | 36SBC99 Side Curtain | 63 00 | pr |
| A-06 | 144766 | 3/4 Bronze Thru hull w/o Nut | 8 00 | ea | A-62 | 115816 | 3710A26 Top Boot Only Blue | 45 00 | ea |
| A-06 | 228775 | 1 1/2 Bronze Thru-hull w/o Nut | 19 00 | ea | A-62 | 115832 | 3710A31 Top Boot Only Burg | 45 00 | ea |
| A-07 | 115253 | Hull Window | 15 00 | ea | A-62 | 115824 | 3710A05 Top Boot Only Teal | 45 00 | ea |
| A-07 | 222067 | Hull Window Trim Ring White | 7 00 | ea | A-62 | 115881 | 3113A26 Cockpit Cover Blue | 555 00 | ea |
| A 14 | 126516 | Bow Eye | 11 50 | ea | A-62 | 115907 | 3113A31 Cockpit Cover Burg | 555 00 | ea |
| A 15 | 189779 | Cu Kote Bottom Paint Blue | 127 00 | gl | A-62 | 115899 | 3113A05 Cockpit Cover Teal | 555 00 | ea |
| A 15 | 189795 | Cu Kote Bottom Paint Burg | 127 00 | gl | A-62 | 109199 | Canvas Hatch Cover 12 x 12 Burg | 31 00 | ea |
| A 15 | 189803 | Cu Kote Bottom Paint Green | 127 00 | gl | A-62 | 109215 | Canvas Hatch Cover 12 x 12 Teal | 31 00 | ea |
| A 15 | 101733 | Anti Corrosive Primer Paint | 44 00 | gl | A-62 | 109173 | Canvas Hatch Cover 12 x 12 Blue | 31 00 | ea |
| A 15 | 101741 | Metal Primer Paint | 54 50 | gl | A-66 | 318907 | Rope Locker Hatch w/Hdwe | 105 00 | ea |
| A 15 | 101758 | Catalyst Primer Paint | 22 00 | gl | A 66 | 132340 | Flush D-Ring Latch w/o Lock Blk | 11 50 | ea |
| A 16 | 133934 | 2 Solid Tape Dk Burg Met | 46 50 | rl | A-66 | 145284 | Hinge SS Cont 1 1/4 x 72 | 23 00 | ea |
| A 16 | 218669 | 2 Solid Tape Lt Burg | 46 50 | rl | A-67 | 211607 | 13 Chrome Sea Ray Script | 6 00 | ea |
| A 16 | 133892 | 2 Solid Tape Jadestone Met | 46 50 | rl | | | | | |
| A 16 | 133900 | 2 Solid Tape Lt Jadestone Met | 46 50 | rl | | | | | |
| A 16 | 133967 | 2 Solid Tape Med Dk Blue Met | 46 50 | rl | | | | | |
| A 16 | 134098 | 3/4 Solid Tape Lt Rose Met | 18 00 | rl | | | | | |
| A 16 | 134122 | 3/4 Solid Tape Lt Blue Met | 19 00 | rl | | | | | |
| A 16 | 134171 | 3/4 Solid Tape Lt Jadestone Met | 19 00 | rl | | | | | |
| A 17 | 186320 | Gel Coat White | 14 00 | qt | | | | | |
| A 17 | 101154 | Bilge Grey Gel Coat | 14 00 | qt | | | | | |
| A 18 | 126870 | Clamshell Vent (Rope Locker) | 1 50 | ea | | | | | |
| A 18 | 129668 | 3 Bilge Blower | 18 50 | ea | | | | | |
| A 18 | 310920 | Power Vent Clamshell | 1 50 | ea | | | | | |
| A 18 | 124008 | 3 Vent/Blower Hose | 50 | ea | | | | | |
| A 18 | 137646 | Alum Vent Plate | 1 00 | ea | | | | | |
| A 20 | 137034 | Alum Rubrail 18 | 47 00 | ea | | | | | |
| A 39 | 137489 | Masthead Nav Light Combo | 37 50 | ea | | | | | |
| A-42 | 115386 | Windshield Assy 703 851739 | 1306 50 | ea | | | | | |
| A-42B | 304188 | Stbd Front | 359 50 | ea | | | | | |
| A-42C | 304196 | Port Front | 359 50 | ea | | | | | |
| A-42E | 304204 | Stbd Wing w/Hdwe | 250 00 | ea | | | | | |
| A-42E1 | 304212 | Stbd Vent w/Hdwe | 82 50 | ea | | | | | |
| A-42F | 304220 | Windshield Brace | 13 00 | ea | | | | | |
| A-42H | 223636 | D Handle w/Hdwe | 1 50 | ea | | | | | |
| A-42I | 223628 | Slide Adjuster | 13 00 | ea | | | | | |
| A 43 | 136317 | Bowform Rail w/o Plate | 74 50 | ea | | | | | |
| A-43 | 136259 | Stanchion Rail Set | 185 50 | ea | | | | | |
| A-43 | 136507 | Bow Rail only 18 75 | 58 50 | ea | | | | | |
| A-45 | 115394 | Deck Side Window | 458 00 | pr | | | | | |
| A-45 | 115402 | Deck Side Screen | 74 50 | pr | | | | | |
| A-45S | 275750 | Stbd Deck Side Window | 265 00 | ea | | | | | |
| A 45S | 276246 | Stbd Deck Side Screen | 48 00 | ea | | | | | |
| A-48 | 205575 | S/R Wave Chrome | 5 00 | ea | | | | | |
| A 52 | 127372 | Nav Light Side Horz Mt | 23 00 | ea | | | | | |
| A 54 | 202234 | Windlass 1/2 600 lb Cap | 1742 50 | ea | | | | | |
| A 54 | 144949 | Anchor Davit w/Roller SS | 158 00 | ea | | | | | |
| A 54 | 144980 | Fast Eye Hook Snap SS 3 | 10 00 | ea | | | | | |
| A 54 | 144998 | Lanyard SS 6 | 2 00 | ea | | | | | |
| A 54 | 144972 | Anchor Shackle w/screw Pin 3/8 | 4 00 | ea | | | | | |
| A 54 | 144964 | Anchor 14 lb w/920 lb Hold | 52 00 | ea | | | | | |
| A 54 | 146183 | Anchor Davit Bail only | 6 00 | ea | | | | | |
| A 57 | 129684 | 85 Wiper Motor | 44 00 | ea | | | | | |
| A 57 | 255000 | 18 Flex Wiper Blade Black | 4 00 | ea | | | | | |
| A 57 | 129783 | 15 19 Wiper Arm Black | 14 00 | ea | | | | | |
| A 57 | 129825 | Wiper Motor Cover Black | 5 00 | ea | | | | | |
| A 58 | 223925 | 8 Shakespeare Loran Antenna | 19 00 | ea | | | | | |
| A 58 | 115371 | 4 Way Ratchet Mount | 57 50 | ea | | | | | |
| A 58 | 117416 | 8 Shakespeare 5206 VHF Antenna | 47 50 | ea | | | | | |
| A-60 | 134445 | Model Desg Dk Green | 1 50 | ea | | | | | |
| A-60 | 134437 | Model Desg Interstate Blue | 1 50 | ea | | | | | |
| A-60 | 134452 | Model Desg Burgundy | 1 50 | ea | | | | | |
| A-62 | 304238 | 3510A26 Conv/Sunshade Blue | 959 00 | ea | | | | | |
| A-62 | 304246 | 3510A31 Conv/Sunshade Burg | 959 00 | ea | | | | | |
| A-62 | 304253 | 3510A05 Conv/Sunshade Teal | 959 00 | ea | | | | | |
| A-62 | 109538 | Hatch Cover 20 x 20 Blue | 34 00 | ea | | | | | |
| A-62 | 109546 | Hatch Cover 20 x 20 Burg | 34 50 | ea | | | | | |
| A-62 | 109553 | Hatch Cover 20 x 20 Teal | 31 00 | ea | | | | | |

COCKPIT



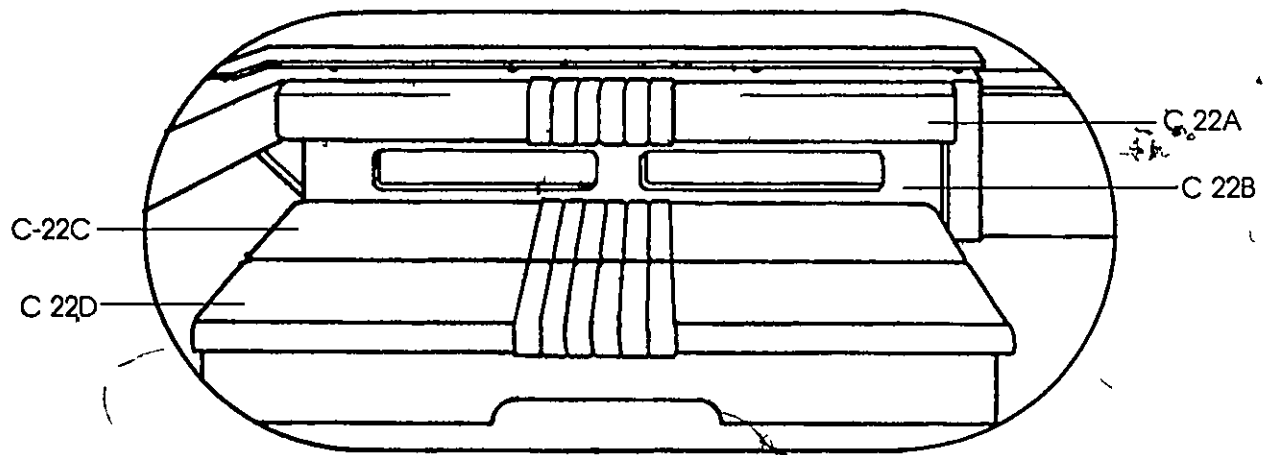
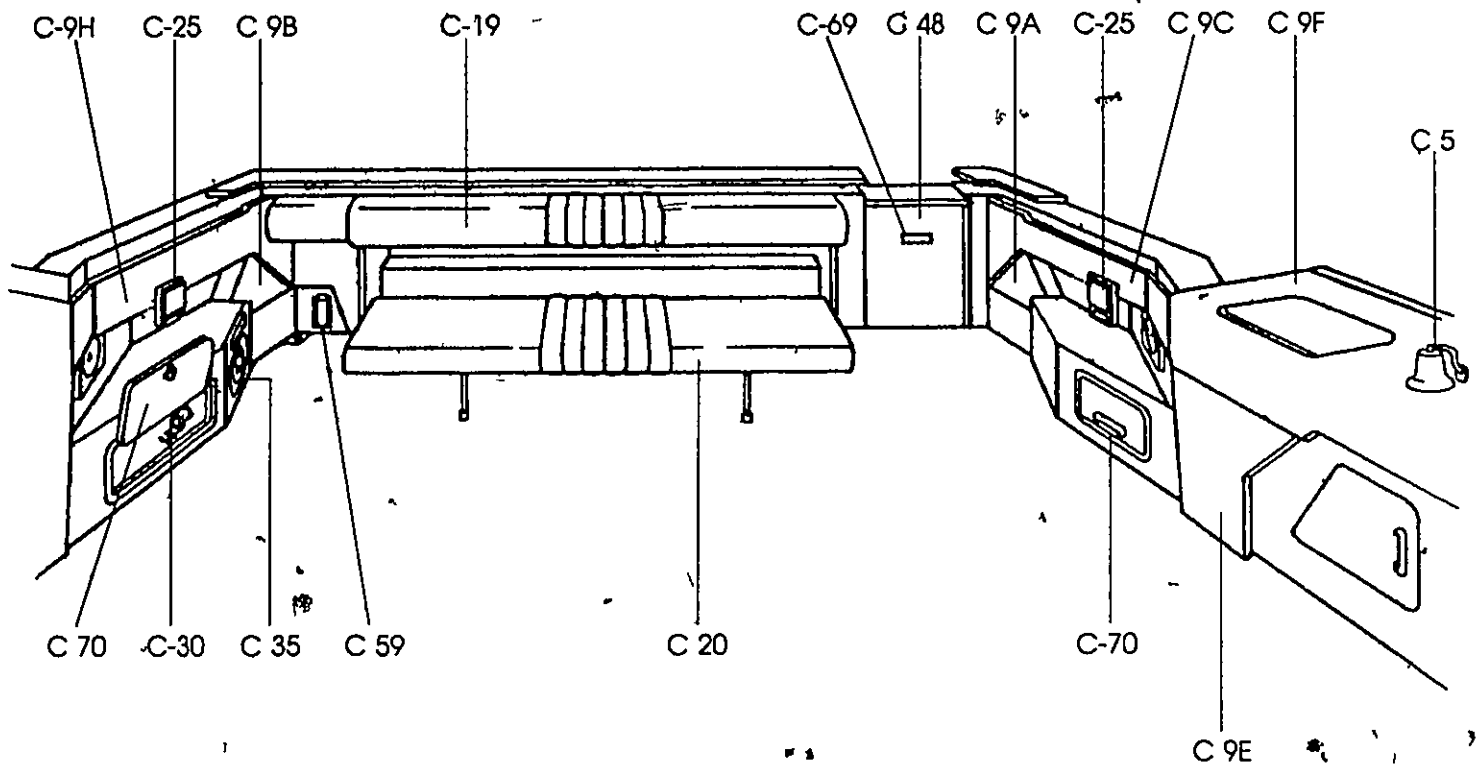
300 SUNDANCER - 1989



| | | | | | | | | | |
|-------|--------|------------------------------------|--------|----|-------|--------|---------------------------------|--------|----|
| C-01 | 101956 | Vinyl Concerto Bristol Blue Flat | 7 50 | ly | C 26G | 318378 | Helm Seat Top Cap Pqd Skin Wht | 63 00 | ea |
| C-01 | 101964 | Vinyl Concerto Silver Blue Flat | 7 50 | ly | C 26H | 333955 | Drivers Backrest Wht/Blue | 135 00 | ea |
| C-01 | 106724 | Wetting Silver Blue 5/32 | 50 | ly | C 26H | 333971 | Drivers Backrest Wht/Burg | 135 00 | ea |
| C-01 | 106708 | Wetting Concerto Crimson 5/32 | 50 | ly | C 26H | 333997 | Drivers Backrest Wht/Teal | 135 00 | ea |
| C-01 | 106740 | Wetting Jadestone 5/32 | 50 | ly | C 26H | 333963 | Drivers Backrest Skin Wht/Blue | 89 00 | ea |
| C-01 | 110841 | Wetting Concerto Burg 5/32 | 50 | ly | C 26H | 333989 | Drivers Backrest Skin Wht/Burg | 89 00 | ea |
| C-01 | 101972 | Vinyl Concerto Green Mist E Flat | 9 00 | ly | C 26H | 334045 | Drivers Backrest Skin Wht/Teal | 89 00 | ea |
| C-01 | 101980 | Vinyl Concerto Jadestone E Flat | 9 00 | ly | C 29 | 101238 | Dash Paint Blue | 14 50 | qt |
| C-01 | 102004 | Vinyl Cuddy Artic White L Flat | 6 00 | ly | C 29 | 101261 | Dash Paint Burg | 14 50 | qt |
| C-01 | 102Q12 | Vinyl Cuddy Artic White w/Foam | 12 00 | ly | C 29 | 101253 | Dash Paint Green | 14 50 | qt |
| C-01 | 103903 | Vinyl Concerto Burg L Flat | 7 00 | ly | C-41 | 103580 | Snap In Carpet 28 oz Rouge | 14 00 | sy |
| C-01 | 103929 | Vinyl Concerto Crimson L Flat | 7 00 | ly | C-41 | 103515 | Snap In Carpet 28 oz Blue | 14 00 | sy |
| C-02 | 318972 | Bl fold Entry Door w/Hdwe | 145 00 | ea | C-41 | 103572 | Snap In Carpet 28 oz Teal | 14 00 | sy |
| C-02 | 223289 | Panel Lam 1/2 x 4 x 8 Frosty White | 128 00 | sh | C-41 | 338012 | Snap In Carpet Lner Blue | 235 00 | st |
| C-02 | 129312 | Cabin Door Hook 2 1/2 | 3 50 | ea | C-41 | 338020 | Snap In Carpet Lner Burg | 235 00 | st |
| C-02 | 145284 | Alum Hinge Cont 1 1/4 x 72 | 23 00 | ft | C-41 | 338038 | Snap In Carpet Lner Teal | 235 00 | st |
| C-02 | 311775 | Cabin Door Teak Frame | 120 00 | ea | C-45 | 115360 | Window Mid Cabin | 118 00 | ea |
| C-04 | 318931 | Cabin Entry Hatch w/Hdwe | 125 00 | ea | C-45 | 115378 | Screen Mid Cabin | 29 00 | ea |
| C-04 | 137851 | Interior Hatch Slide | 1 00 | ea | C-47 | 212779 | Speaker XS 3010 Sony | 55 50 | ea |
| C-04 | 129320 | Locking Hasp w/Swivel Eye | 5 00 | ea | C 51 | 328682 | Helm Storage Door Complete | 8 00 | ea |
| C-04 | 130211 | Channel End Black Lock | 50 | ea | C 53 | 140111 | Lift Handle Hatch Lift Bolt | 2 00 | ea |
| C-04 | 145284 | Alum Cont Hinge | 2 00 | ft | C 53A | 328567 | Port Engine Hatch w/Hdwe | 112 50 | ea |
| C-08 | 136416 | Grab Rail 18 | 20 50 | ea | C 53B | 328617 | Center Engine Hatch w/Hdwe | 112 50 | ea |
| C-08 | 136432 | Grab Rail 11 | 16 00 | ea | C 53C | 328625 | Stbd Engine Hatch w/Hdwe | 112 50 | ea |
| C-09G | 317651 | Fwd Stbd Panel Wht/Blue | 110 00 | ea | C 53D | 328633 | Center Aft Hatch w/Hdwe | 112 50 | ea |
| C-09G | 317669 | Fwd Stbd Panel Wht/Burg | 110 00 | ea | C 53E | 328732 | Fwd Storage Hatch w/Hdwe | 92 50 | ea |
| C-09G | 317677 | Fwd Stbd Panel Wht/Teal | 110 00 | ea | C-61 | 319046 | Teak Taff Rail, Port Side | 45 00 | ea |
| C-09G | 317685 | Fwd Up Stbd Acc Door Wht/Blue | 35 00 | ea | C-61 | 318956 | Teak Taff Rail Stbd Side/Center | 135 00 | ea |
| C-09G | 317693 | Fwd Up Stbd Acc Door Wht/Burg | 35 00 | ea | C-61 | 136473 | Rail Pre-cut 7/8 x .035 x 1 1/8 | 50 | eq |
| C-09G | 317701 | Fwd Up Stbd Acc Door Wht/Teal | 35 00 | ea | C-69 | 154799 | Transom Door Danger Plate | 1 00 | ea |
| C-09J | 317719 | Fwd Lower Stbd Panel White | 55 00 | ea | | | | | |
| C 26 | 113894 | Helmseat Cooler | 23 00 | ea | | | | | |
| C 26 | 140095 | Spring Bolt | 1 50 | ea | | | | | |
| C 26 | 144543 | Helmseat Track Assy | 42 50 | ea | | | | | |
| C 26 | 144584 | B/B Seat Knob 4 | 3 00 | ea | | | | | |
| C 26A | 318618 | Aft Facing Bolster Wht/Blue | 115 00 | ea | | | | | |
| C 26A | 318626 | Aft Facing Bolster Skin Wht/Blue | 53 00 | ea | | | | | |
| C 26A | 318634 | Aft Facing Bolster Wht/Burg | 115 00 | ea | | | | | |
| C 26A | 318642 | Aft Facing Bolster Skin Wht/Burg | 53 00 | ea | | | | | |
| C 26A | 318659 | Aft Facing Bolster Wht/Teal | 115 00 | ea | | | | | |
| C 26A | 318667 | Aft Facing Bolster Skin Wht/Teal | 53 00 | ea | | | | | |
| C 26B | 318089 | Companion H/S Cush Wht/Blue | 125 00 | ea | | | | | |
| C 26B | 318097 | Companion H/S Skin Wht/Blue | 82 50 | ea | | | | | |
| C 26B | 318105 | Companion H/S Cush Wht/Burg | 125 00 | ea | | | | | |
| C 26B | 318188 | Companion H/S Skin Wht/Burg | 82 50 | ea | | | | | |
| C 26B | 318220 | Companion H/S Cush Wht/Teal | 125 00 | ea | | | | | |
| C 26B | 318238 | Companion H/S Skin Wht/Teal | 82 50 | ea | | | | | |
| C 26C | 318246 | Companion B/R Wht/Blue | 175 00 | ea | | | | | |
| C 26C | 318253 | Companion B/R Skin Wht/Blue | 115 50 | ea | | | | | |
| C 26C | 318261 | Companion B/R Wht/Burgandy | 175 00 | ea | | | | | |
| C 26C | 318279 | Companion B/R Skin Wht/Burg | 115 50 | ea | | | | | |
| C 26C | 318287 | Companion B/R Wht/Teal | 175 00 | ea | | | | | |
| C 26C | 318295 | Companion B/R Skin Wht/Teal | 115 50 | ea | | | | | |
| C 26D | 317917 | Drivers Seat Cush Wht/Blue | 145 00 | ea | | | | | |
| C 26D | 317933 | Drivers Seat Skin Wht/Blue | 96 00 | ea | | | | | |
| C 26D | 317941 | Drivers Seat Cush Wht/Burg | 145 00 | ea | | | | | |
| C 26D | 317958 | Drivers Seat Skin Wht/Burg | 96 00 | ea | | | | | |
| C 26D | 317966 | Drivers Seat Cush Wht/Teal | 145 00 | ea | | | | | |
| C 26D | 317974 | Drivers Seat Skin Wht/Teal | 96 00 | ea | | | | | |
| C 26E | 318675 | Port Aft D/S Wht/Blue | 95 00 | ea | | | | | |
| C 26E | 318683 | Port Aft D/S Skin Wht/Blue | 63 00 | ea | | | | | |
| C 26E | 318691 | Port Aft D/S Wht/Burg | 95 00 | ea | | | | | |
| C 26E | 318709 | Port Aft D/S Skin Wht/Burg | 63 00 | ea | | | | | |
| C 26E | 318717 | Port Aft D/S Wht/Teal | 95 00 | ea | | | | | |
| C 26E | 318725 | Port Aft D/S Skin Wht/Teal | 63 00 | ea | | | | | |
| C 26F | 318733 | Stbd Aft D/S Wht/Blue | 95 00 | ea | | | | | |
| C 26F | 318741 | Stbd Aft D/S Skin Wht/Blue | 63 00 | ea | | | | | |
| C 26F | 318758 | Stbd Aft D/S Wht/Burg | 95 00 | ea | | | | | |
| C 26F | 318766 | Stbd Aft D/S Skin Wht/Burg | 63 00 | ea | | | | | |
| C 26F | 318744 | Stbd Aft D/S Wht/Teal | 95 00 | ea | | | | | |
| C 26F | 318782 | Stbd Aft D/S Skin Wht/Teal | 63 00 | ea | | | | | |
| C 26G | 318360 | Helm Seat Top Cap Pad White | 95 00 | ea | | | | | |

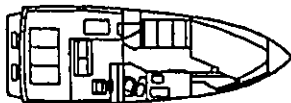
COCKPIT

Sea Ray
A Brunswick Company
300 DA
1989



EUROPEAN AFT LOUNGE SEAT

300 SUNDANCER

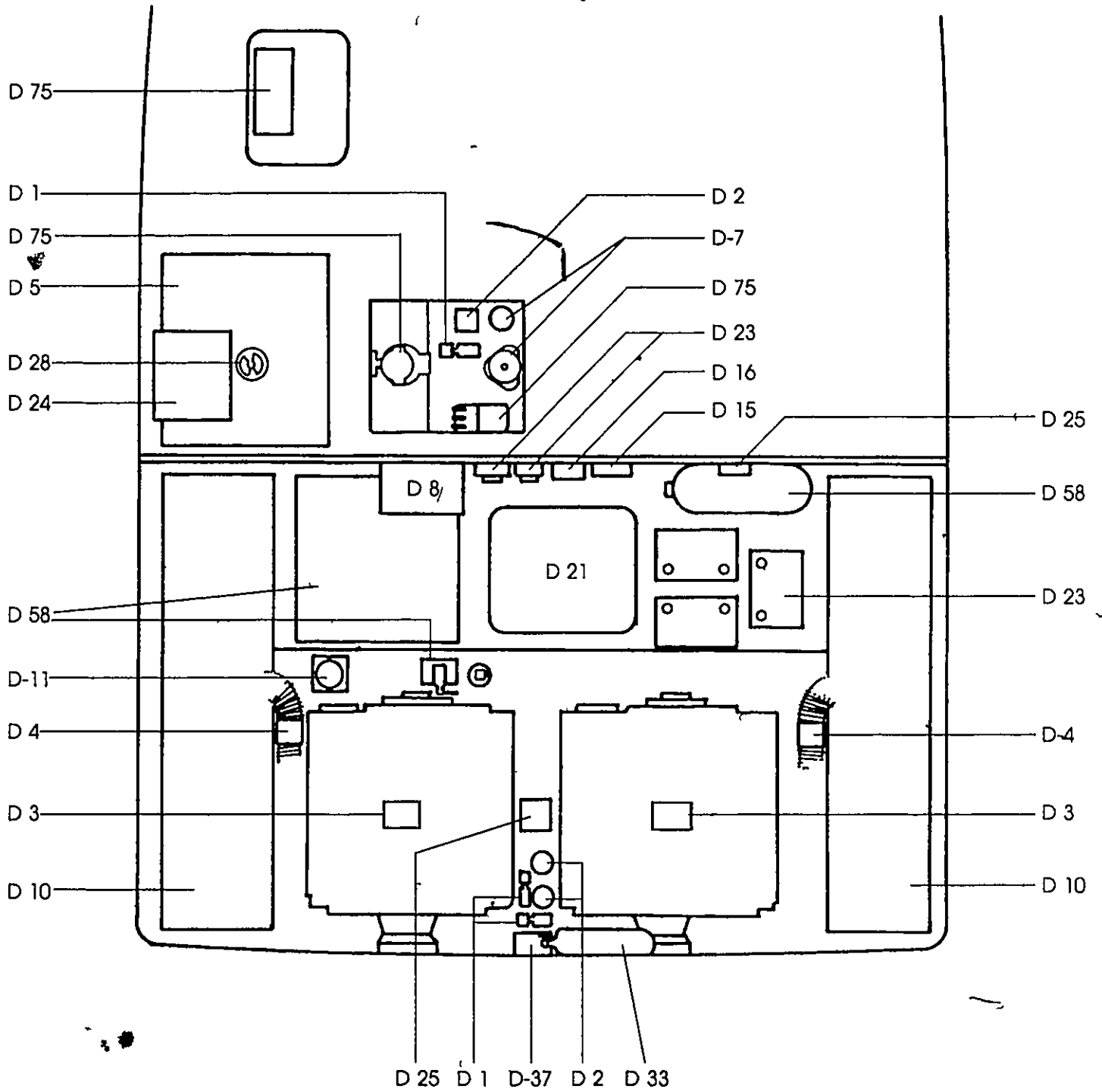


300 SUNDANCER - 1989



| | | | | |
|--------|--------|--------------------------------|--------|----|
| C-05 | 144915 | 6 Fog Chrome/Brass | 43 00 | ea |
| C-09A | 317644 | Aft Lower Port Panel White | 45 00 | ea |
| C-09B | 334771 | Aft Lower Stbd Panel White | 45 00 | ea |
| C-09C | 317610 | Aft Upper Port Panel Wht/Blue | 65 00 | ea |
| C-09C | 317628 | Aft Upper Port Panel Wht/Burg | 65 00 | ea |
| C-09C | 317636 | Aft Upper Port Panel Wht/Teal | 65 00 | ea |
| C-09E | 317602 | Fwd Lower Port Panel White | 55 00 | ea |
| C-09F | 317578 | Fwd Upper Port Panel Wht/Blue | 110 00 | ea |
| C-09F | 317586 | Fwd Upper Port Panel Wht/Burg | 110 00 | ea |
| C-09F | 317594 | Fwd Upper Port Panel Wht/Teal | 110 00 | ea |
| C-09H | 317727 | Aft Upper Stbd Panel Wht/Blue | 65 00 | ea |
| C-09H | 317735 | Aft Upper Stbd Panel Wht/Burg | 65 00 | ea |
| C-09H | 317743 | Aft Upper Stbd Panel Wht/Teal | 65 00 | ea |
| C 19 | 317883 | Aft F/D Seat Complete Wht/Blue | 520 00 | ea |
| C 19 | 317891 | Aft F/D Seat Complete Wht/Burg | 520 00 | ea |
| C 19 | 317909 | Aft F/D Seat Complete Wht/Teal | 520 00 | ea |
| C 19 | 317768 | Aft F/D Bolster Wht/Blue | 165 00 | ea |
| C 19 | 317776 | Aft F/D Bolster Skin Wht/Blue | 109 00 | ea |
| C 19 | 317784 | Aft F/D Bolster Wht/Burg | 165 00 | ea |
| C 19 | 317792 | Aft F/D Bolster Skin Wht/Burg | 109 00 | ea |
| C 19 | 317800 | Aft F/D Bolster Wht/Teal | 165 00 | ea |
| C 19 | 317818 | Aft F/D Bolster Skin Wht/Teal | 109 00 | ea |
| C 20 | 317826 | Aft F/D Cushion Wht/Blue | 300 00 | ea |
| C 20 | 317834 | Aft F/D Cushion Skin Wht/Blue | 198 00 | ea |
| C 20 | 317842 | Aft F/D Cushion Wht/Burg | 300 00 | ea |
| C 20 | 317859 | Aft F/D Cushion Skin Wht/Burg | 198 00 | ea |
| C 20 | 317867 | Aft F/D Cushion Wht/Teal | 300 00 | ea |
| C 20 | 317875 | Aft F/D Cushion Skin Wht/Teal | 198 00 | ea |
| C 22A | 334532 | Euro Backrest Wht/Blue | 165 00 | ea |
| C 22A | 334540 | Euro Backrest Wht/Burg | 165 00 | ea |
| C 22A | 334557 | Euro Backrest Wht/Teal | 165 00 | ea |
| C 22A | 334565 | Euro Backrest Skin Wht/Blue | 109 00 | ea |
| C 22A | 334573 | Euro Backrest Skin Wht/Burg | 109 00 | ea |
| C 22A | 334581 | Euro Backrest Skin Wht/Teal | 109 00 | ea |
| C 22B | 334599 | Aft Euro Side Panel White | 125 00 | ea |
| C 22C* | 334607 | Aft Euro Seat Cush Wht/Blue | 300 00 | ea |
| C 22C | 334615 | Aft Euro Seat Cush Wht/Burg | 300 00 | ea |
| C 22C | 334623 | Aft Euro Seat Cush Wht/Teal | 300 00 | ea |
| C 22C | 224631 | Aft Euro Seat Skin Wht/Blue | 198 00 | ea |
| C 22C | 334649 | Aft Euro Seat Skin Wht/Burg | 198 00 | ea |
| C 22C | 334656 | Aft Euro Seat Skin Wht/Teal | 198 00 | ea |
| C 22D | 334664 | Fwd Euro Seat Cush Wht/Blue | 300 00 | ea |
| C 22D | 334714 | Fwd Euro Seat Cush Wht/Burg | 300 00 | ea |
| C 22D | 334722 | Fwd Euro Seat Cush Wht/Teal | 300 00 | ea |
| C 22D | 334730 | Fwd Euro Seat Skin Wht/Blue | 198 00 | ea |
| C 22D | 334748 | Fwd Euro Seat Skin Wht/Burg | 198 00 | ea |
| C 22D | 334755 | Fwd Euro Seat Skin Wht/Teal | 198 00 | ea |
| C 25 | 214098 | Courtesy Light | 9 00 | ea |
| C 35 | 141168 | Water Inlet w/Press Regulator | 18 50 | ea |
| C 30 | 141549 | Water Tubing Line 1/2 | 50 | ft |
| C 30 | 144733 | Hand Held Shower (Cockpit) | 20 50 | ea |
| C 30 | 144832 | Silcock Faucet Nickel Plate | 12 00 | ea |
| C-48 | 328559 | Transom Door w/Hdwe | 155 00 | ea |
| C-48 | 140137 | Barrel Bait Chrome 3 | 11 00 | ea |
| C-48 | 195149 | Hinge Transom Door 3 x 1/2 | 8 00 | ea |
| C 59 | 145128 | Receptacle Box | 2 00 | ea |
| C 59 | 145144 | Cover Plate Corr Resistant | 27 50 | ea |
| C 70 | 328740 | Port/Stbd Storage Doors | 80 00 | ea |
| C 70 | 140228 | Black Plastic Door Catch | 2 50 | ea |
| C 70 | 156166 | Plastic Door/Drawer Pull White | 1 50 | ea |
| C 73 | 331702 | Teak Drink Holders | 45 00 | ea |

BILGE



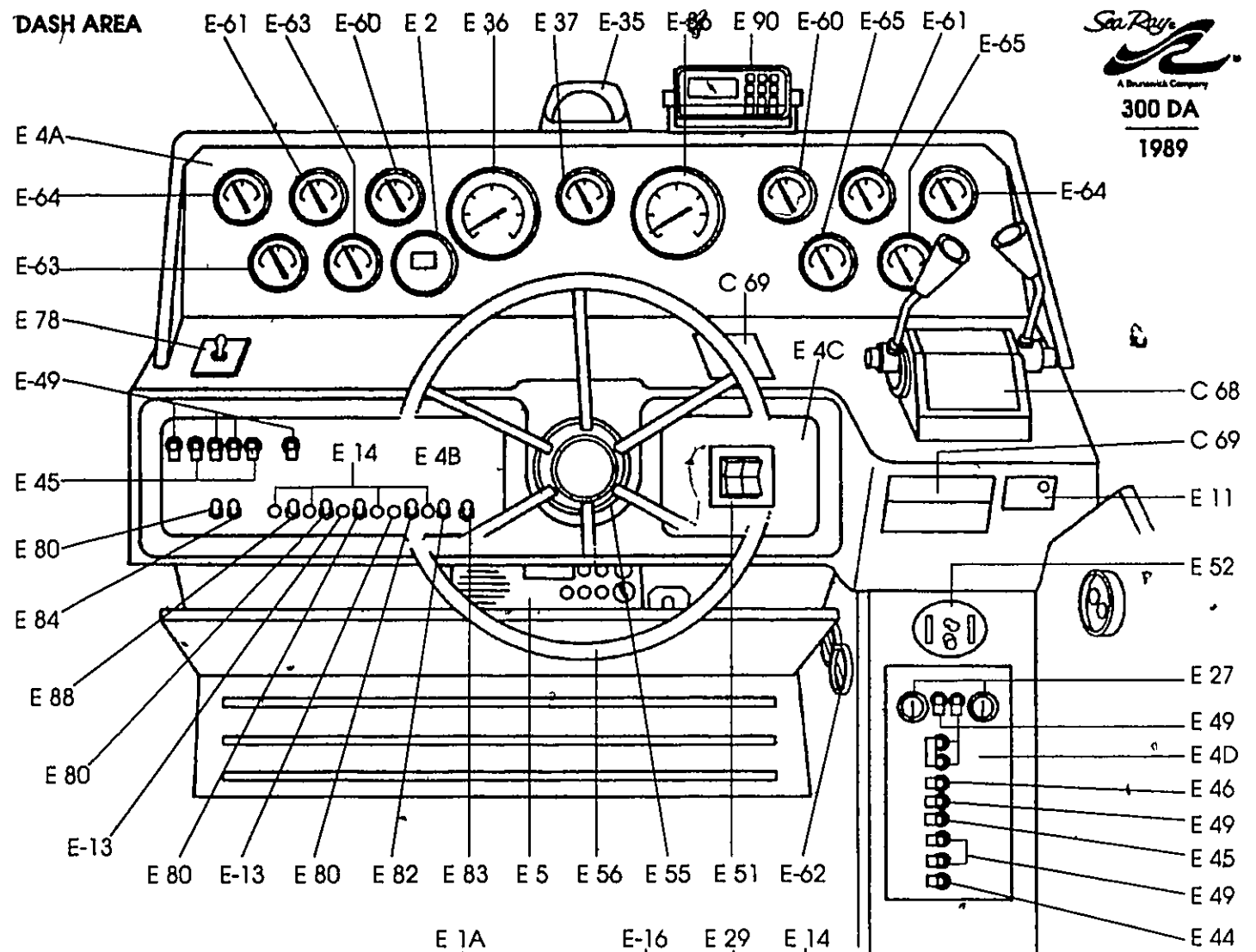
300 SUNDANCER



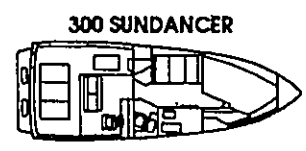
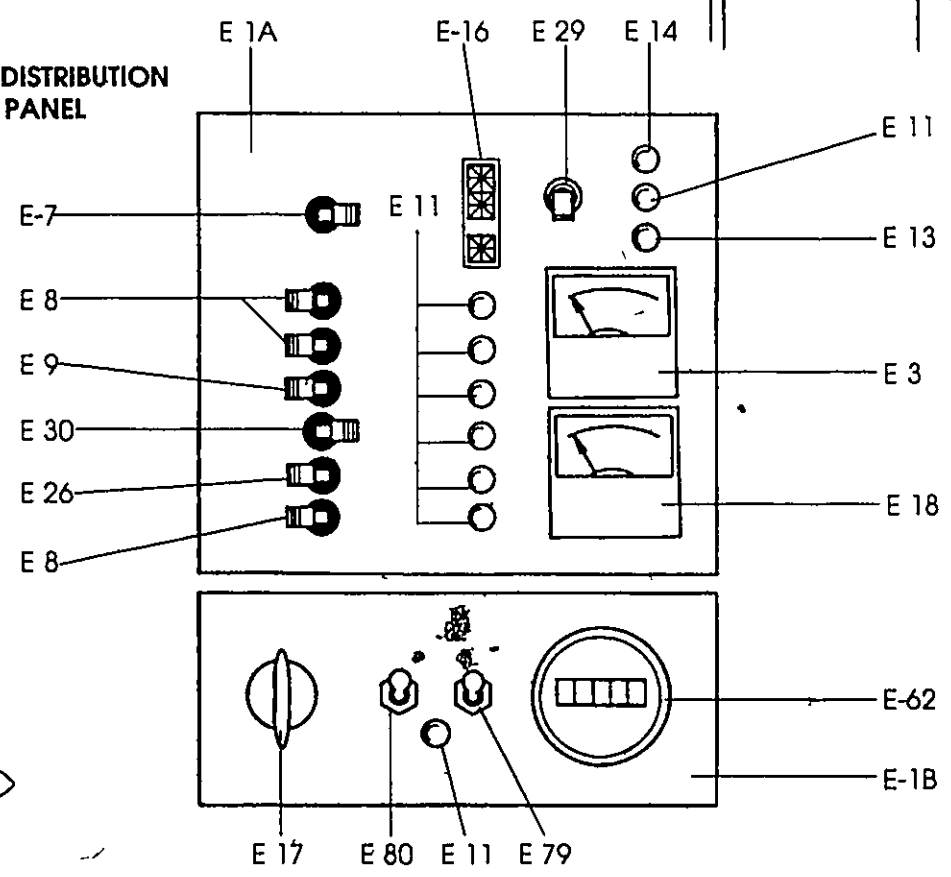
300 SUNDANCER - 1989



| | | | | | | | | | |
|------|--------|----------------------------------|---------|----|------|--------|-------------------------------|--------|----|
| D-01 | 125476 | Bilge Pump Float Switch | 29 00 | ea | D 75 | 127077 | Seawater 220/50 A/C Pump | 283 00 | ea |
| D-02 | 125435 | Bilge Pump 1500GPH | 60 00 | ea | D 75 | 132175 | Brz Tailpiece 3/4 x1 | 6 50 | ea |
| D-02 | 124289 | 3/4 Black Bilge Hose Corr | 50 | ft | D 75 | 144758 | Brz Pickup 3/4 | 21 00 | ea |
| D-02 | 125427 | 800GPH Bilge Pump | 22 00 | ea | D 75 | 144782 | Brz Seacock Pickup 3/4 | 36 00 | ea |
| D-03 | 128900 | 5 7 Merc Carb Cover Decal | 10 50 | ea | D 75 | 158055 | Brz Water Intake Strainer 1/2 | 62 00 | ea |
| D-04 | 262295 | Bilge Blower 4 | 22 00 | ea | | | | | |
| D-04 | 137323 | Deck Vent Hole Collector Box | 14 00 | ea | | | | | |
| D-04 | 123992 | 4 Vent Hose | 50 | ea | | | | | |
| D-04 | 137331 | Deck Vent 2 Hole Collector Box | 14 00 | ea | | | | | |
| D-05 | 113829 | Water Tank 40 gal | 90 50 | ea | | | | | |
| D-05 | 123851 | Corr Hose San/Water Fill 1 1/2 | 1 50 | ea | | | | | |
| D-05 | 123877 | Corr Hose San/Water Fill 3/4 | 50 | ft | | | | | |
| D-05 | 141770 | Sending Unit Gasket Only | .50 | ea | | | | | |
| D-05 | 141762 | Water Level Sending Unit | 7 00 | ea | | | | | |
| D-07 | 125484 | Fresh Pump Water (Shurflo) | 93 00 | ea | | | | | |
| D-07 | 141150 | In Line Water Filter Strainer | 6 50 | ea | | | | | |
| D-08 | 133629 | 20 AMP 12v/220AC Converter | 436 00 | ea | | | | | |
| D-08 | 133611 | 20 AMP 12v/110VAC Converter | 410 50 | ea | | | | | |
| D 10 | 113720 | 72 Gal Stbd Fuel Tank | 483 00 | ea | | | | | |
| D 10 | 113712 | 72 gal Port Fuel Tank | 483 00 | ea | | | | | |
| D 10 | 123745 | Fuel Fill Hose 1 1/2 | 3 50 | ft | | | | | |
| D 10 | 123778 | Fuel Vent Hose 5/8 | 1 50 | ft | | | | | |
| D 10 | 123760 | Engine Fuel Line 3/8 | 1 00 | ft | | | | | |
| D 10 | 140343 | Remote Gas Filter (Gen) | 47 50 | ea | | | | | |
| D 10 | 211755 | Fuel Sender | 16 00 | ea | | | | | |
| D 11 | 145037 | Muffler 1 5/8 | 106 50 | ea | | | | | |
| D 11 | 145052 | Exhaust Tubing 1 5/8 | 6 50 | ea | | | | | |
| D 11 | 145045 | Exhaust Tube 1 5/8 x 90 | 29 00 | ea | | | | | |
| D 11 | 124594 | Water Hose 5/8 Heavy Duty | 50 | ft | | | | | |
| D 11 | 124149 | Exhaust Hose 1 5/8 Soft Wall | 4 00 | ft | | | | | |
| D 11 | 123810 | Gen Purpose Hose 3/4 | 2 50 | ft | | | | | |
| D 15 | 159194 | Emergency Start Solenoid | 35 00 | ea | | | | | |
| D 16 | 225156 | Bilge Breaker Panel | 150 00 | ea | | | | | |
| D 21 | 120535 | 4 0KW Gas Generator (Westerbeke) | 6250 00 | ea | | | | | |
| D 21 | 120527 | 4 4KW Diesel Generator (Weste) | 7750 00 | ea | | | | | |
| D 21 | 165555 | 4 0KW Gas Generator 56/60HZ | 5280 00 | ea | | | | | |
| D 21 | 144766 | Brz Thru Hull 3/4 | 8 00 | ea | | | | | |
| D 21 | 144774 | Brz Tailpiece 3/4xFTx2 1/2 | 8 00 | ea | | | | | |
| D 21 | 144782 | Brz Seacock 3/4 | 36 00 | ea | | | | | |
| D 21 | 158055 | Brz Water Intake Strainer 1/2 | 61 00 | ea | | | | | |
| D 23 | 132803 | 105AH GR27 Stowaway Battery | 135 50 | ea | | | | | |
| D 23 | 130435 | Battery Holder Black | 10 50 | ea | | | | | |
| D 23 | 130856 | Black Battery Cable Boot | 1 00 | ea | | | | | |
| D 23 | 130849 | Red Battery Cable Boot | 1 00 | ea | | | | | |
| D 23 | 130781 | Red Battery Cable #2 Awg | 1 00 | ft | | | | | |
| D 23 | 130799 | Black Battery Cable #2 Awg | 1 00 | ft | | | | | |
| D 23 | 223149 | Battery Switch On/Off w/o Lock | 17 00 | ea | | | | | |
| D 23 | 223131 | Battery Switch Selector Dual | 20 00 | ea | | | | | |
| D 23 | 136168 | Battery Isolator 2 Alt /2 Batt | 128 50 | ea | | | | | |
| D 24 | 113936 | Water Heater 6 gal 220/50 | 302 50 | ea | | | | | |
| D 24 | 113928 | Water Heater 6 gal 110/60 | 280 00 | ea | | | | | |
| D 24 | 144642 | Hot Water Heat Exc Return Kit | 20 00 | ea | | | | | |
| D 25 | 214080 | Dome Light Sgl Light Flush Mt | 5 00 | ea | | | | | |
| D 28 | 137349 | White Access Plate Cover 5 | 2 00 | ea | | | | | |
| D-33 | 196329 | Automatic Halon Sys 1301 150CF | 151 00 | ea | | | | | |
| D-37 | 268508 | Trim Tab Pump | 185 00 | ea | | | | | |
| D 58 | 134783 | Vacuum Head Rump | 387 00 | ea | | | | | |
| D 58 | 116509 | Holding Tank 18 gal | 94 50 | ea | | | | | |
| D 58 | 132860 | Holding Tank Level Sending Unit | 137 50 | ea | | | | | |
| D 58 | 134767 | Head Treatment Accumulator Tank | 242 00 | ea | | | | | |
| D 58 | 134866 | San X One Treatment System | 942 50 | ea | | | | | |
| D 58 | 134759 | Head Treatment Filter System | 65 50 | ea | | | | | |
| D-58 | 141549 | Water Tubing Line 1/2 | 50 | ft | | | | | |
| D 58 | 130765 | Electric Marine Head | 433 00 | ea | | | | | |
| D-58 | 124628 | Brz Thru-Hull 1 1/4 | 16 00 | ea | | | | | |
| D-58 | 144790 | Brz Tailpiece 1 1/2x2 1/2 | 11 00 | ea | | | | | |
| D-58 | 144816 | Brz Seacock 1 1/4 | 56 00 | ea | | | | | |
| D-58 | 214122 | Brz Seacock 1 1/2 | 66 00 | ea | | | | | |
| D 58 | 228775 | Brz Thru-Hull 1 1/2 | 19 00 | ea | | | | | |
| D-69 | 134908 | Notice Oil Discharge Plate | 2 00 | ea | | | | | |
| D-69 | 139410 | Fuel Trans Crossover Plate | 12 50 | ea | | | | | |
| D-75 | 127969 | Seawater A/C Pump | 180 00 | ea | | | | | |



MAIN DISTRIBUTION PANEL



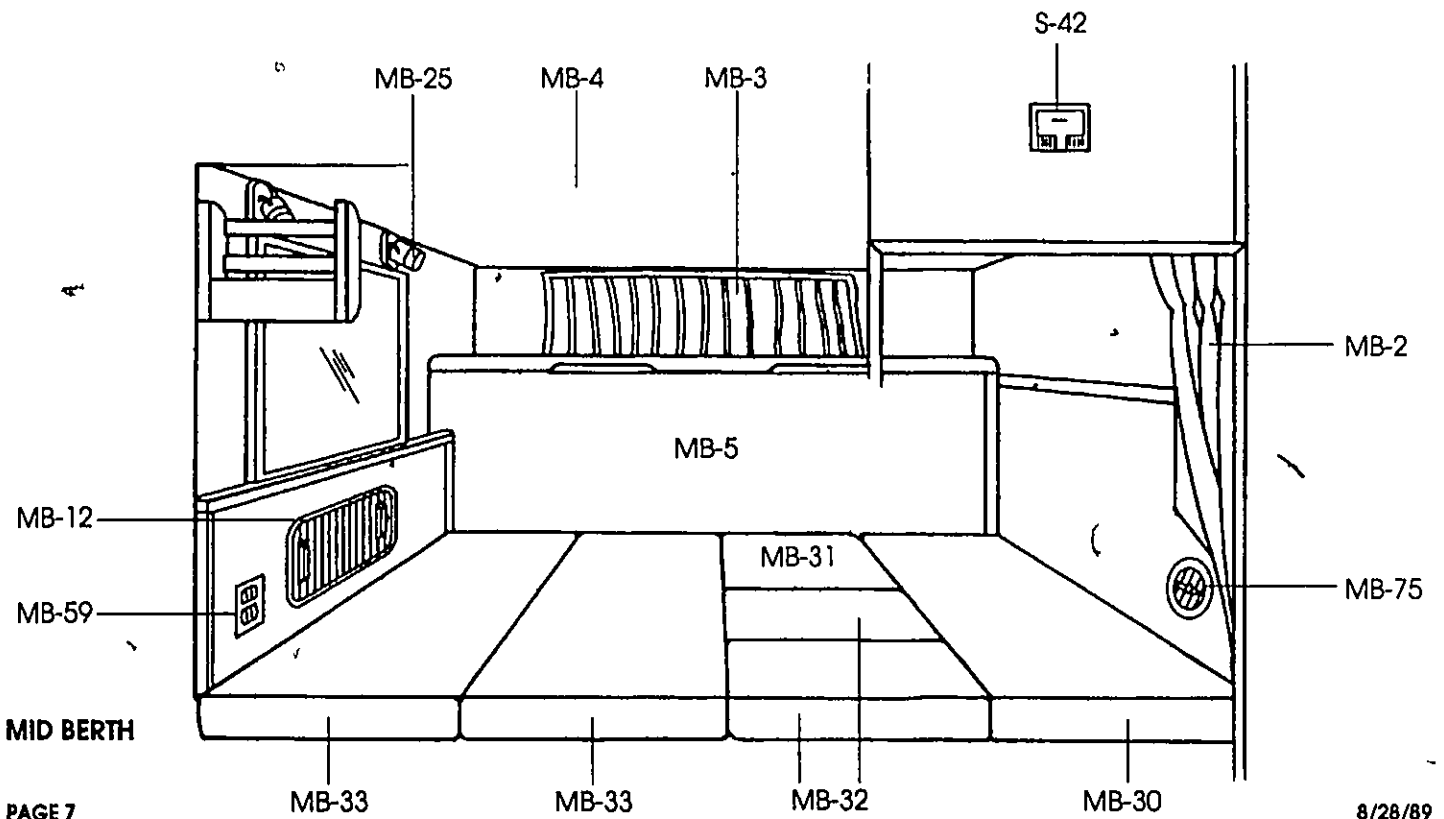
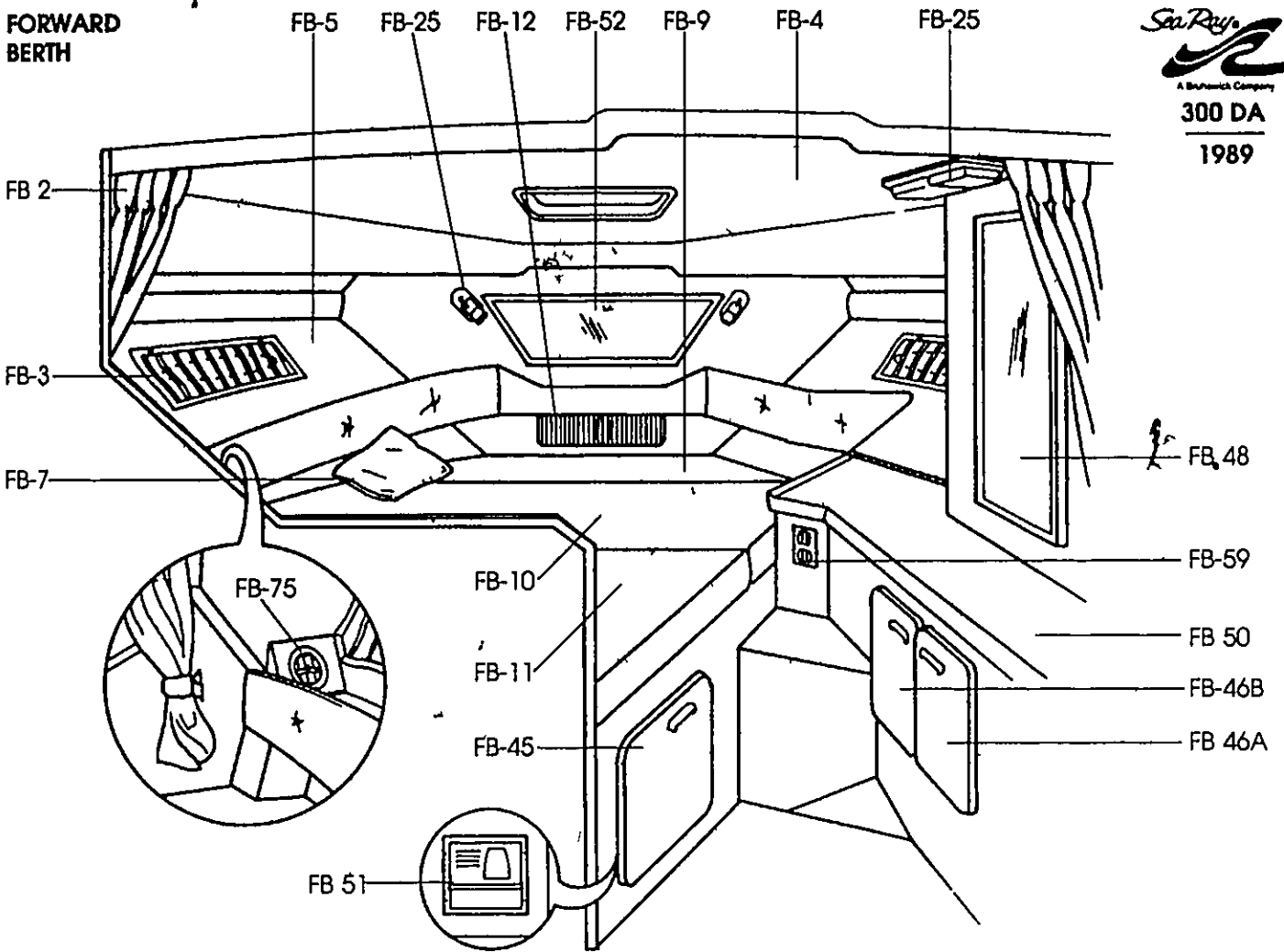
300 SUNDANCER - 1989



| | | | | | | | | | |
|-------|--------|---------------------------------------|--------|----|------|--------|--------------------------------|---------|----|
| E-01A | 140723 | MDP Breaker Box 110v Panel | 295 00 | ea | E 82 | 183442 | Emergency Start Switch DPDT M | 10 00 | ea |
| E-01A | 140731 | MDP Breaker Box 220/50 Panel | 324 00 | ea | E-83 | 183392 | Stereo Mute Switch SPST Black | 4 00 | ea |
| E-01A | 334060 | MDP Panel Breaker Box Blank | 573 00 | ea | E 84 | 140699 | Horn Switch SPST M Chrome | 3 50 | ea |
| E-01B | 334078 | Gen Set Panel Blank | 35 00 | ea | E 88 | 140707 | Nav Light Switch Toggle DPDT | 2 00 | ea |
| E-02 | 115279 | Transducer Lowrance | 26 00 | ea | E 90 | 213611 | Loran C Dart 1989 | 1608 00 | ea |
| E-02 | 115261 | Depth Finder Lowrance 3400 | 457 50 | ea | C-68 | 142034 | Throttle/Shift Control Box | 300 50 | ea |
| E-03 | 179077 | AC Voltmeter 0-150 110v | 25 00 | ea | C-68 | 125161 | KM 18 Control Cable (Morse) | 14 50 | ea |
| E-03 | 179085 | AC Voltmeter 0-300 220/50 | 24 00 | ea | C-68 | 125179 | KM 19 Control Cable (Morse) | 15 00 | ea |
| E-04A | 140962 | Gauge Panel | 78 00 | ea | C-68 | 125195 | KM 21 Control Cable (Morse) | 16 50 | ea |
| E-04B | 140954 | Switch/Breaker Panel Complete | 260 00 | ea | C-68 | 125153 | KM 17 Control Cable (Morse) | 14 50 | ea |
| E-04B | 334052 | Switch/Breaker Panel Blank | 17 50 | ea | C-69 | 129569 | Swlm Ladder Danger Plate | 1 00 | ea |
| E-04C | 402883 | Stbd Blank Panel | 15 00 | ea | C-69 | 135020 | Warning Gas Vapor Blower Plate | 1 00 | ea |
| E-04D | 334086 | Key Switch Breaker Panel | 54 00 | ea | C-69 | 222018 | Sun Pad Danger Label | 4 00 | ea |
| E-05 | 220095 | VHF Galaxy Radio | 502 50 | ea | C-69 | 125062 | NMMA Certification Label | 4 00 | ea |
| E-07 | 182295 | 30A 110v 3 pole Main Breaker | 210 00 | ea | C-69 | 129577 | Warning Dockside Water Plate | 5 00 | ea |
| E-07 | 182428 | 15A Euro 3 Pole Breaker | 29 00 | ea | C-69 | 135095 | Notice Auto Halon System Plate | 1 00 | ea |
| E-08 | 182246 | Outlet Breaker 15A 110v Sgl Pole | 10 00 | ea | C-69 | 137646 | Alum Vent Plate | 1 00 | ea |
| E-08 | 182220 | Outlet Breaker 7 5A Euro | 10 00 | ea | | | | | |
| E-08 | 182246 | Hot Water Breaker 15A 110v Sgl Pole | 10 00 | ea | | | | | |
| E-08 | 182220 | Hot Water Breaker 7 5A Sgl Pole Euro | 10 00 | ea | | | | | |
| E-08 | 182246 | AC Converter Breaker 15A 110v | 10 00 | ea | | | | | |
| E-08 | 182220 | AC Converter Breaker 7 5A Euro | 10 00 | ea | | | | | |
| E 09 | 182253 | Stove/Micro Breaker 20A 110v | 10 00 | ea | | | | | |
| E-09 | 182238 | Stove/Micro Breaker 10A Euro | 10 00 | ea | | | | | |
| E 11 | 140068 | Indicator Light Green 14v | 2 50 | ea | | | | | |
| E 13 | 179861 | Indicator Light Red 15v | 2 50 | ea | | | | | |
| E 14 | 179853 | Indicator Light Green 15v | 2 50 | ea | | | | | |
| E 16 | 129929 | Reverse Polarity Light | 13 50 | ea | | | | | |
| E 17 | 136200 | Rotary Transfer Switch | 119 00 | ea | | | | | |
| E 18 | 179129 | DC Ammeter 0-50 12v | 18 00 | ea | | | | | |
| E 26 | 182311 | A/C Breaker 30A 110v Single Pole | 10 00 | ea | | | | | |
| E 26 | 182279 | A/C Breaker 15A Euro Single Pole | 52 50 | ea | | | | | |
| E 27 | 142059 | Ignition Switch | 10 50 | ea | | | | | |
| E 29 | 183327 | Water Level Switch SPST M Black | 5 50 | ea | | | | | |
| E 30 | 182204 | Ref Breaker 5 A 110v Single Pole Euro | 12 00 | ea | | | | | |
| E 35 | 141788 | Flush Mount Compass 3 3/4 | 97 00 | ea | | | | | |
| E 36 | 133603 | Tachometer (0-6000) | 59 00 | ea | | | | | |
| E 37 | 127845 | Engine Synch Gauge (Teleflex) | 14 00 | ea | | | | | |
| E 44 | 140764 | Accessory Breaker 5A 12v | 10 00 | ea | | | | | |
| E-45 | 140780 | Cabin Light Breaker 20A 12v | 10 00 | ea | | | | | |
| E 45 | 140780 | Trim Tab Breaker 20A 12v | 10 00 | ea | | | | | |
| E-45 | 140780 | Refrigerator Breaker 20A 12v | 10 00 | ea | | | | | |
| E-46 | 140772 | Water System Breaker 15A 12v | 14 00 | ea | | | | | |
| E-49 | 140764 | Cockpit Light Breaker 10A 12v | 10 00 | ea | | | | | |
| E-49 | 140764 | Wiper Breaker 10A 12v | 10 00 | ea | | | | | |
| E 49 | 140764 | Horn Breaker 10A 12v | 10 00 | ea | | | | | |
| E-49 | 140764 | Nav Light Breaker 10A 12v | 10 00 | ea | | | | | |
| E-49 | 140764 | Blower Breaker 10A 12v | 10 00 | ea | | | | | |
| E 49 | 140764 | Spotlight Breaker 10A 12v | 10 00 | ea | | | | | |
| E-49 | 140764 | Ignition Breaker 10A 12v | 10 00 | ea | | | | | |
| E 49 | 140764 | Stereo Breaker 10A 12v | 10 00 | ea | | | | | |
| E-49 | 140764 | Bilge Ligh Breaker 10A 12v | 10 00 | ea | | | | | |
| E 51 | 157487 | Trim Tab Switch | 48 50 | ea | | | | | |
| E 52 | 263376 | Spotlight Switch Control | 119 00 | ea | | | | | |
| E 55 | 126961 | Steering Helm | 16 00 | ea | | | | | |
| E 55 | 126987 | Steering Mount 90 Bezel | 3 00 | ea | | | | | |
| E 55 | 126904 | Steering Rack/Cable Assy 16 | 60 00 | ea | | | | | |
| E 56 | 142729 | Steering Wheel 15 3/4 Taper | 55 00 | ea | | | | | |
| E-60 | 127787 | Oil Gauge (Teleflex) | 14 00 | ea | | | | | |
| E-61 | 127795 | Temperature Gauge (Teleflex) | 14 00 | ea | | | | | |
| E-62 | 127837 | Hourmeter Gauge (Teleflex) | 39 00 | ea | | | | | |
| E-63 | 127811 | Fuel Gauge (Teleflex) | 14 00 | ea | | | | | |
| E-64 | 127803 | Voltmeter (Teleflex) | 15 00 | ea | | | | | |
| E-65 | 127829 | Trim Gauge (Teleflex) | 14 50 | ea | | | | | |
| E 78 | 140798 | Windlass Breaker 30A 12v | 14 00 | ea | | | | | |
| E 78 | 141036 | Windlass w/o Switch Panel | 11 50 | ea | | | | | |
| E 79 | 183327 | Generator Start Switch SPST M | 5 50 | ea | | | | | |
| E 80 | 183384 | Wiper Switch SPST Push Button | 3 50 | ea | | | | | |
| E 80 | 183384 | Generator Stop Switch | 3 50 | ea | | | | | |
| E 80 | 183384 | Fwd Bilge Pump Switch SPST | 3 50 | ea | | | | | |
| E 80 | 183384 | Aft Bilge Pump Switch SPST M | 3 50 | ea | | | | | |
| E 80 | 183384 | Dash Light Switch Toggle SPST | 3 00 | ea | | | | | |

FORWARD BERTH

Sea Ray
A Brunswick Company
300 DA
1989



MID BERTH

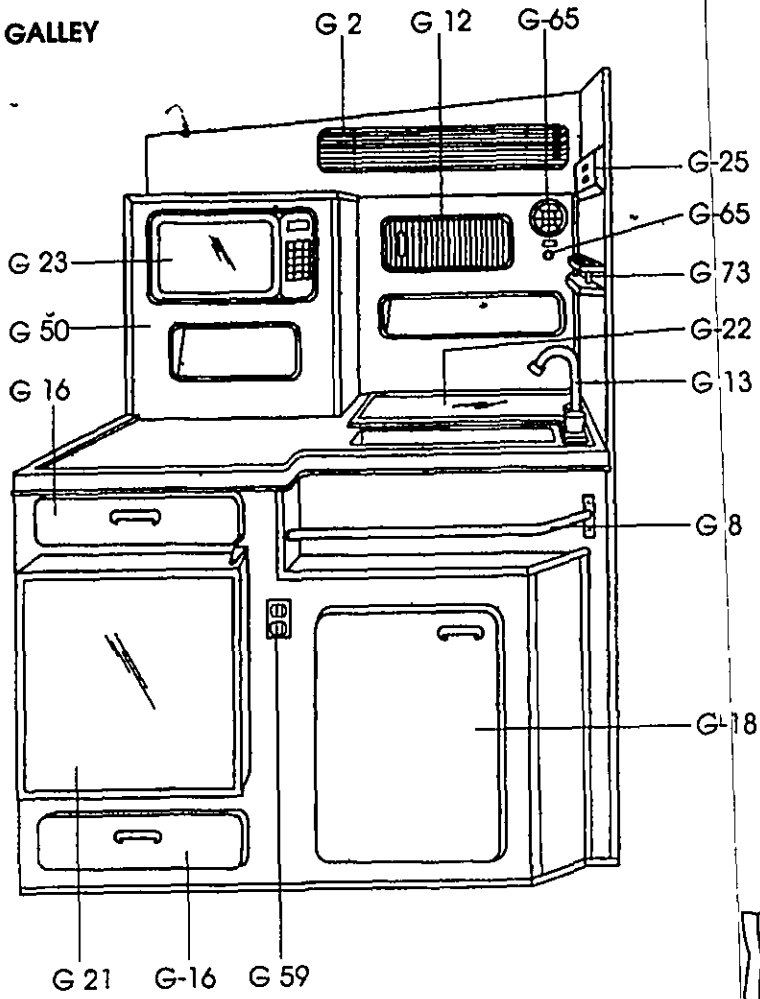
300 SUNDANCER - 1989



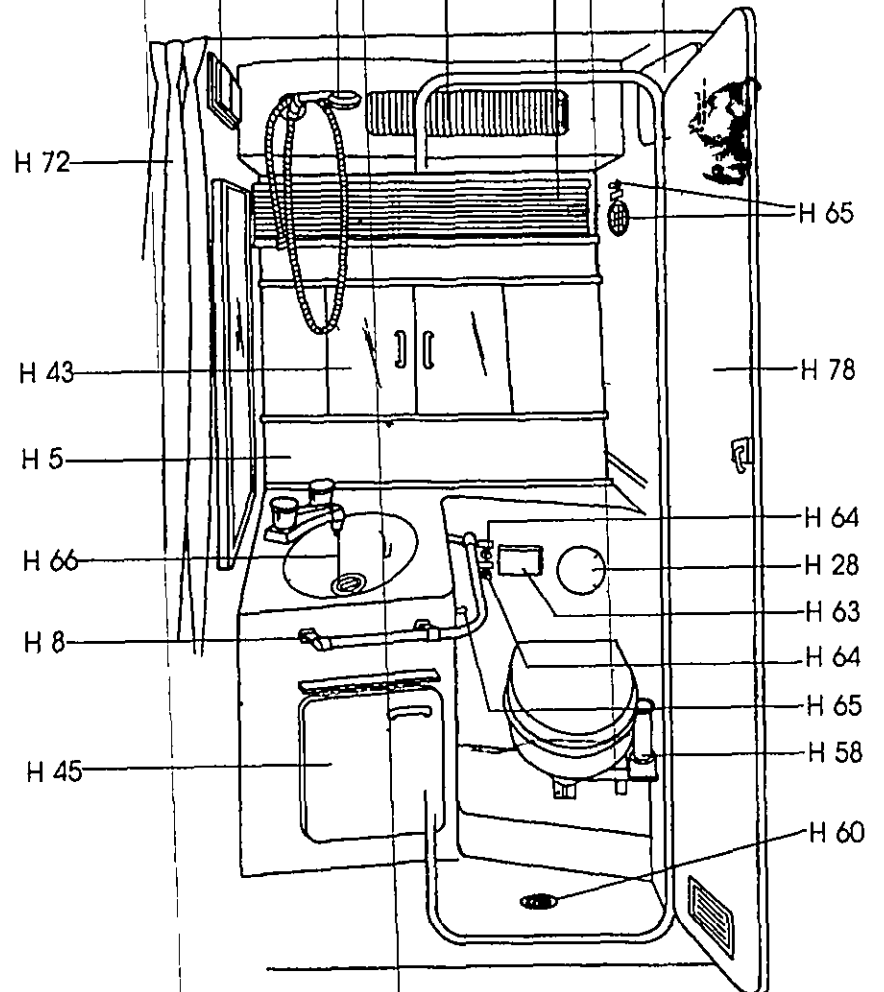
| | | | | | | | | | |
|--------|--------|-----------------------------------|--------|----|-------|--------|--------------------------------------|--------|----|
| FB-01 | 208892 | Fabric Desert Misty Blue Quilted | 26 50 | ly | FB-50 | 224832 | 4 x 8 x 042 Cloud Matte Mica | 28 00 | sh |
| FB-01 | 219188 | Fabric Desert Misty Mauve Quilted | 26 50 | ly | FB-50 | 224204 | 4 x 8 x 042 Antique White Mica | 28 00 | sh |
| FB-01 | 219196 | Fabric Desert Misty Teal Quilted | 26 50 | ly | FB-51 | 113068 | Central System Vacuum | 335 00 | ea |
| FB-02 | 219253 | Curtain Desert Misty Mauve | 191 00 | st | FB-51 | 113050 | Central System Vacuum | 422 50 | ea |
| FB-02 | 219246 | Curtain Desert Misty Blue | 191 00 | st | FB-52 | 336180 | Rope Locker Door w/Mirror | 45 00 | ea |
| FB-02 | 219261 | Curtain Desert Misty Green | 191 00 | st | FB-52 | 129403 | Concealed Interior Hinge | 3 50 | ea |
| FB-02 | 132183 | Track Alum Curtain | 50 | ft | FB-52 | 140244 | Single Roller White Nylon Catch | 2 00 | ea |
| FB-03 | 104653 | Woven Wood Burgundy | 148 50 | st | FB-59 | 145102 | Duplex Grey Receptacle | 2 00 | ea |
| FB-03 | 104661 | Woven Wood Blue | 148 50 | st | FB-59 | 145086 | Single Duplex Receptacle Cover Plate | 50 | ea |
| FB-03 | 104679 | Woven Wood Teal | 148 50 | st | FB-75 | 128108 | A/C 4 Vent Grey | 10 00 | ea |
| FB-04 | 102202 | Fabric Concept Blue w/Foam | 22 00 | st | MB-02 | 224741 | Curtain Desert Misty Mauve | 195 00 | st |
| FB-04 | 102350 | Fabric Concept Blue Flat | 17 00 | st | MB-02 | 214387 | Curtain Desert Misty Blue | 195 00 | st |
| FB-04 | 102384 | Fabric Concept Mauve w/Foam | 22 00 | st | MB-02 | 224758 | Curtain Desert Misty Green | 195 00 | st |
| FB-04 | 102368 | Fabric Concept Mauve Flat | 17 00 | st | MB-03 | 104661 | Woven Wood Blue | 148 50 | st |
| FB-04 | 102335 | Fabric Concept Teal w/Foam | 20 00 | st | MB-03 | 104653 | Woven Wood Burg | 148 50 | st |
| FB-04 | 102376 | Fabric Concept Teal Flat | 17 00 | st | MB-03 | 104679 | Woven Wood Teal | 148 50 | st |
| FB-05 | 102236 | Fabric Manhattan Blue w/Foam | 21 00 | st | MB-04 | 102202 | Fabric Concept Blue w/Foam | 22 00 | ly |
| FB-05 | 102244 | Fabric Manhattan Blue Flat | 16 00 | st | MB-04 | 102350 | Fabric Concept Blue Flat | 17 00 | ly |
| FB-05 | 102277 | Fabric Manhattan Mauve w/Foam | 22 00 | st | MB-04 | 102384 | Fabric Concept Mauve w/Foam | 22 00 | ly |
| FB-05 | 102285 | Fabric Manhattan Mauve Flat | 16 00 | st | MB-04 | 102368 | Fabric Concept Mauve Flat | 17 00 | ly |
| FB-05 | 102319 | Fabric Manhattan Teal w/Foam | 22 00 | st | MB-04 | 102335 | Fabric Concept Teal w/Foam | 22 00 | ly |
| FB-05 | 102327 | Fabric Manhattan Teal Flat | 16 00 | st | MB-04 | 102376 | Fabric Concept Teal Flat | 17 00 | ly |
| FB-07 | 104216 | Pillow Pkg Cruiser Mauve 3 ea | 94 00 | st | MB-05 | 102236 | Fabric Manhattan Blue w/Foam | 22 00 | ly |
| FB-07 | 104190 | Pillow Pkg Cruiser Teal 3 ea | 94 00 | st | MB-05 | 102244 | Fabric Manhattan Blue Flat | 16 00 | ly |
| FB-07 | 104208 | Pillow Pkg Cruiser Blue 3 ea | 94 00 | st | MB-05 | 102277 | Fabric Manhattan Mauve w/Foam | 22 00 | ly |
| FB-09 | 335976 | Fwd Covered Mattress Blue | 210 00 | ea | MB-05 | 102285 | Fabric Manhattan Mauve Flat | 16 00 | ly |
| FB-09 | 336024 | Fwd Mattress Skin Blue | 139 00 | ea | MB-05 | 102319 | Fabric Manhattan Teal w/Foam | 22 00 | ly |
| FB-09 | 320036 | Fwd Covered Mattress Mauve | 210 00 | ea | MB-12 | 221341 | Tambour 1/8 4 x 8 Red Oak | 166 50 | sh |
| FB-09 | 320051 | Fwd Mattress Skin Mauve | 139 00 | ea | MB-12 | 122020 | Tambour Slide Left Spiral | 1 00 | ea |
| FB-09 | 320200 | Fwd Covered Mattress Teal | 210 00 | ea | MB-12 | 122937 | Tambour Slide Right Spiral | 1 00 | ea |
| FB-09 | 320226 | Fwd Mattress Skin Teal | 139 00 | ea | MB-25 | 208694 | Plastic Swivel Spotlight Grey/White | 23 00 | ea |
| FB-10 | 320234 | Center Covered Mattress Blue | 175 00 | ea | MB-30 | 322842 | M/B Stbd Cushion Blue | 195 00 | ea |
| FB-10 | 320242 | Center Mattress Skin Blue | 115 50 | ea | MB-30 | 322859 | M/B Stbd Cushion Mauve | 195 00 | ea |
| FB-10 | 320259 | Center Covered Mattress Mauve | 175 00 | ea | MB-30 | 322867 | M/B Stbd Cushion Teal | 195 00 | ea |
| FB-10 | 320267 | Center Mattress Skin Mauve | 115 50 | ea | MB-30 | 322875 | M/B Stbd Skin Blue | 129 00 | ea |
| FB-10 | 320275 | Center Covered Mattress Teal | 175 00 | ea | MB-30 | 322883 | M/B Stbd Skin Mauve | 129 00 | ea |
| FB-10 | 320283 | Center Mattress Skin Teal | 115 50 | ea | MB-30 | 322891 | M/B Stbd Skin Teal | 129 00 | ea |
| FB-11 | 320291 | Aft Covered Mattress Blue | 225 00 | ea | MB-31 | 320432 | Mid Berth Aft Cush Blue | 135 00 | ea |
| FB-11 | 320309 | Aft Mattress Skin Blue | 148 50 | ea | MB-31 | 320473 | Mid Berth Aft Skin Blue | 89 00 | ea |
| FB-11 | 320317 | Aft Covered Mattress Mauve | 225 00 | ea | MB-31 | 320481 | Mid Berth Aft Cush Burg | 135 00 | ea |
| FB-11 | 320325 | Aft Mattress Skin Mauve | 148 50 | ea | MB-31 | 320499 | Mid Berth Aft Skin Burg | 89 00 | ea |
| FB-11 | 320333 | Aft Covered Mattress Teal | 225 00 | ea | MB-31 | 320515 | Mid Berth Aft Cush Teal | 135 00 | ea |
| FB-11 | 320341 | Aft Mattress Skin Teal | 148 50 | ea | MB-31 | 320523 | Mid Berth Aft Skin Teal | 89 00 | ea |
| FB-12 | 221341 | Tambour 1/8 x 4 x 8 Red Oak | 166 50 | sh | MB-32 | 322669 | M/B Fwd Filler Cushion Blue | 105 00 | ea |
| FB-12 | 122929 | Tambour Slide Left Spiral | 1 00 | ea | MB-32 | 322685 | M/B Fwd Filler Cushion Mauve | 105 00 | ea |
| FB-12 | 122937 | Tambour Slide Right Spiral | 1 00 | ea | MB-32 | 322693 | M/B Fwd Filler Cushion Teal | 105 00 | ea |
| FB-25 | 208694 | Swivel Spotlight Plastic Grey/Wht | 23 00 | ea | MB-32 | 322701 | M/B Fwd Filler Skin Blue | 69 50 | ea |
| FB-25 | 214098 | Double Dome Light Flush Mount | 9 00 | ea | MB-32 | 322719 | M/B Fwd Filler Skin Mauve | 69 50 | ea |
| FB-45 | 328757 | Port Storage Door Blue Int | 80 00 | ea | MB-32 | 322727 | M/B Fwd Filler Skin Teal | 69 50 | ea |
| FB-45 | 328765 | Port Storage Door Red Int | 80 00 | ea | MB-33 | 322784 | M/B Port Cushion Blue | 200 00 | ea |
| FB-45 | 328856 | Port Storage Door Green Int | 80 00 | ea | MB-33 | 322792 | M/B Port Cushion Mauve | 200 00 | ea |
| FB-45 | 140244 | Catch Single Roller White Nylon | 2 00 | ea | MB-33 | 322800 | M/B Port Cushion Teal | 200 00 | ea |
| FB-45 | 129403 | Hinge Concealed Interior | 3 50 | ea | MB-33 | 322818 | M/B Port Cushion Skin Blue | 132 00 | ea |
| FB-45 | 145870 | Pull Door/Drawer Plastic Almond | 2 50 | ea | MB-33 | 322826 | M/B Port Cushion Skin Mauve | 132 00 | ea |
| FB-45 | 145888 | Pull Door/Drawer Plastic Dawn | 2 50 | ea | MB-33 | 322834 | M/B Port Cushion Skin Teal | 132 00 | ea |
| FB-45 | 145896 | Pull Door/Drawer Plastic Blue Ice | 2 50 | ea | MB-42 | 132761 | CO Monitor Detector | 182 50 | ea |
| FB-46 | 140244 | Catch Single Roller White Nylon | 2 00 | ea | MB-42 | 155655 | Recessed Monitor Spacer | 2 00 | ea |
| FB-46 | 129403 | Hinge Concealed Interior | 3 50 | ea | MB-59 | 145102 | Grey Duplex Receptacle | 24 00 | ea |
| FB-46 | 145870 | Pull Door/Drawer Plastic Almond | 2 50 | ea | MB-59 | 145086 | Single Duplex Receptacle Cover | 50 | ea |
| FB-46 | 145888 | Pull Door/Drawer Plastic Dawn | 2 50 | ea | MB-75 | 128108 | A/C 4 Vent Grey | 10 00 | ea |
| FB-46 | 145896 | Pull Door/Drawer Plastic Blue Ice | 2 50 | ea | S-42 | 132761 | C O Monitor | 182 50 | ea |
| FB-46 | 129403 | Hinge Concealed Interior MSAS | 3 50 | ea | | | | | |
| FB-46A | 328989 | Fwd Stbd Storage Door Burg Int | 80 00 | ea | | | | | |
| FB-46A | 329037 | Fwd Stbd Storage Door Blue Int | 80 00 | ea | | | | | |
| FB-46A | 329128 | Fwd Stbd Storage Door Grn Int | 80 00 | ea | | | | | |
| FB-46B | 336073 | Aft Stbd Storage Door Blue Int | 80 00 | ea | | | | | |
| FB-46B | 336164 | Aft Stbd Storage Door Burg Int | 80 00 | ea | | | | | |
| FB-46B | 336172 | Aft Stbd Storage Door Teal Int | 80 00 | ea | | | | | |
| FB-48 | 329136 | Hanging Locker Door w/Hdwe | 115 00 | ea | | | | | |
| FB-48 | 140244 | Catch Single Roller White Nylon | 2 00 | ea | | | | | |
| FB-48 | 129403 | Concealed Interior Hinge | 3 50 | ea | | | | | |
| FB-50 | 224840 | 4 x 8 x 042 Ivory Rose Matte Mica | 28 00 | sh | | | | | |



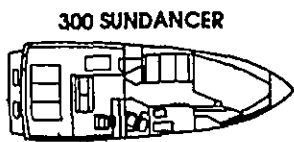
GALLEY



H 25 H 35 H 12 H 2 H 46



HEAD



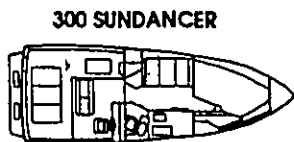
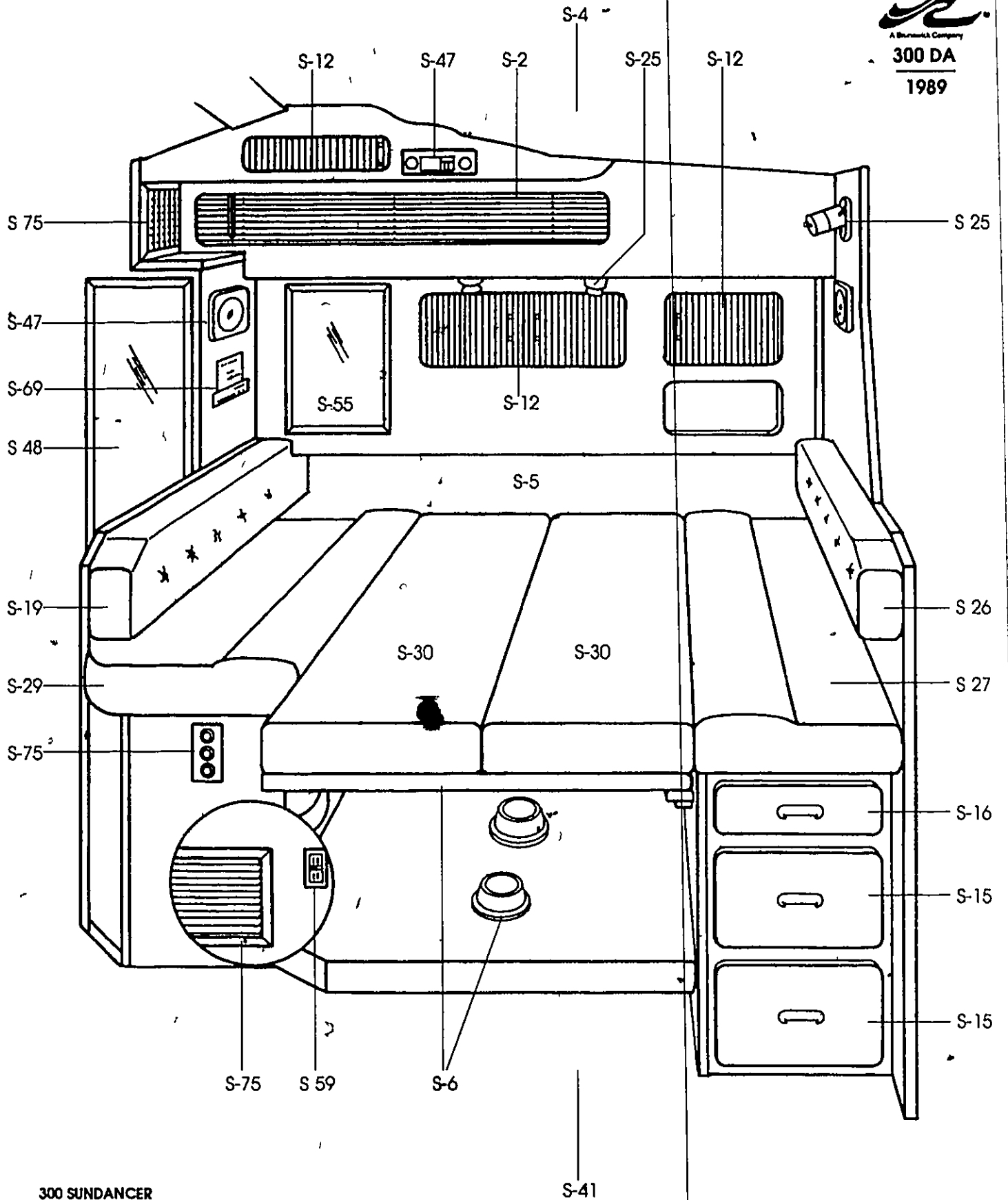
300 SUNDANCER - 1989



| | | | | | | | | | |
|------|--------|-----------------------------------|--------|----|------|--------|----------------------------------|--------|----|
| G-02 | 104752 | Alum Mini Blind Complete Set | 159 00 | ea | H-45 | 145870 | Door/Drawer Pull Teal | 2 50 | ea |
| G-08 | 136382 | Galley Hand Rail | 42 00 | ea | H-45 | 129197 | Alum Trim Nosing 5/8 | 1 00 | ea |
| G 12 | 221341 | Tambour 1/8 4 x 8 Red Oak | 166 50 | sh | H-46 | 349209 | Instrument Access Door Blue | 55 00 | ea |
| G-12 | 122929 | Tambour Slide Left Spiral | 1 00 | ea | H-46 | 349258 | Instrument Access Door Burg | 55 00 | ea |
| G 12 | 122937 | Tambour Slide Right Spiral | 1 00 | ea | H-46 | 349266 | Instrument Access Door Teal | 55 00 | ea |
| G 13 | 141184 | Bar Faucet 6" | 36 00 | ea | H-58 | 224881 | Head Vac u-Flush Side Discharge | 242 00 | ea |
| G-13 | 162453 | P Trap Assy w/Conn Drain | 4 50 | ea | H 58 | 130708 | Head Portable Sani Pottie | 95 00 | ea |
| G 13 | 146662 | Basket Strainer 3 SS Drain | 6 00 | ea | H-58 | 130740 | Head Portable Sani Pottie | 110 50 | ea |
| G 16 | 322651 | Drawer w/Face 15x18x3 3 Blue | 45 00 | ea | H-58 | 123844 | 1 1/2 Smooth Wall Hose | 2 00 | ft |
| G 16 | 320358 | Drawer w/Face 15x18x3 3 Burg | 45 00 | ea | H-58 | 123877 | Hose Corr San/Water Fill 3/4 | 50 | ft |
| G 16 | 320382 | Drawer w/Face 15x18x3 3 Teal | 45 00 | ea | H-58 | 124586 | Hose Exhaust 1 SW | 2 50 | ft |
| G 16 | 118935 | Plastic Drawer 15 x 18 x 3 3 | 14 00 | ea | H-58 | 123810 | Hose Gen Purpose 3/4 | 2 00 | ft |
| G 16 | 145870 | Door/Drawer Pull Plastic Almond | 2 50 | ea | H-58 | 141739 | Hose Gen Purpose 1 1/4 | 2 00 | ft |
| G 16 | 145888 | Door/Drawer Pull Plastic Dawn | 2 50 | ea | H-58 | 196667 | Hose Gen Purpose 1 | 2 00 | ft |
| G 16 | 145896 | Door/Drawer Pull Plastic Blue Ice | 2 50 | ea | H-58 | 135038 | Notice Overboard Discharge Plate | 1 50 | ea |
| G 16 | 119255 | Drawer Slide 20 Plastic | 1 00 | ea | H-58 | 134841 | Mascerator Pump Head Sys | 145 50 | ea |
| G 16 | 140236 | Double Ball Adj Catch Nickel/Br | 1 50 | ea | H-58 | 224881 | Head Vac u Flush Side Discharge | 242 00 | ea |
| G 18 | 322552 | Galley Storage Door Blue | 45 00 | ea | H-60 | 140152 | Vent/Shower Drain Cover | 1 50 | ea |
| G 18 | 322560 | Galley Storage Door Burg | 45 00 | ea | H-60 | 182964 | Thru hull 3/4 Vent White | 1 00 | ea |
| G 18 | 322578 | Galley Storage Door Teal | 45 00 | ea | H-63 | 324772 | Holding Tank Level Gauge | 45 00 | ea |
| G 18 | 145870 | Door/Drawer Pull Almond | 2 50 | ea | H-64 | 224188 | Switch Electric Head Panel | 56 00 | ea |
| G 18 | 145888 | Door/Drawer Pull Dawn | 2 50 | ea | H-65 | 140673 | Power Vent Switch | 3 00 | ea |
| G 18 | 145896 | Door/Drawer Pull Blue Ice | 2 50 | ea | H-65 | 140673 | 2 Way Toggle Switch | 3 50 | ea |
| G 18 | 140236 | Double Ball Door/Drawer Catch | 1 50 | ea | H-65 | 146340 | A/C Components Grill 4 | 10 00 | ea |
| G 18 | 129403 | Concealed Interior Hinge | 3 50 | ea | H-66 | 141176 | Lav Faucet 4 | 20 00 | ea |
| G 21 | 113647 | 2 OCF AC/DC Refrigerator | 712 50 | ea | H 72 | 145151 | Shower Curtain 32 x 72 | 17 50 | ea |
| G 21 | 113654 | 2 OCF AC/DC 200/50 Refrigerator | 800 00 | ea | H 78 | 318584 | Head Door Blue | 125 00 | ea |
| G 21 | 113662 | Elec 2 Burner Stove | 335 00 | ea | H 78 | 318592 | Head Door Mauve | 125 00 | ea |
| G 22 | 113670 | Alcohol/Elec 2 Burner Stove | 570 50 | ea | H 78 | 318600 | Head Door Teal | 125 00 | ea |
| G 22 | 113696 | Elec 2 Burner 220/50 Stove | 356 00 | ea | H 78 | 137364 | Vent Louvered 4 1/2 x 9" SS | 7 00 | ea |
| G 22 | 113704 | Alcohol/Elec 2 Burner Stove | 592 00 | ea | H 78 | 145284 | Hinge SS Cont 1 1/4 x 72 | 23 00 | ft |
| G 23 | 113266 | Litton 50CF 220/50 Microwave | 355 00 | ea | H 78 | 145912 | Flush Rim Latch Set | 31 50 | ea |
| G 23 | 113258 | Litton 50CF Microwave | 397 50 | ea | | | | | |
| G 25 | 214098 | Double Dome Light | 9 00 | ea | | | | | |
| G 50 | 229476 | 4 x 10 x 56 Cloud Clr/Matte Mica | 297 00 | sh | | | | | |
| G 50 | 224840 | 4 x 8 x 042 Ivory Rose Matte Mica | 28 00 | sh | | | | | |
| G 50 | 224832 | 4 x 8 x 042 Cloud Matte Mica | 28 00 | sh | | | | | |
| G 50 | 224204 | 4 x 8 x 042 Antique White Mica | 28 00 | sh | | | | | |
| G 59 | 133793 | LeGrand Euro Receptacle | 3 50 | ea | | | | | |
| G 59 | 133801 | LeGrand Receptacle W/Cover 220/50 | 14 00 | ea | | | | | |
| G 59 | 144907 | Switch Box Cover Plate | 50 | ea | | | | | |
| G 59 | 144899 | Switch Box | 2 00 | ea | | | | | |
| G 59 | 145086 | Single Duplex Cover Plate | 50 | ea | | | | | |
| G-65 | 137356 | 3 Black Power Vent | 1 50 | ea | | | | | |
| G-65 | 140673 | 2 Way Toggle Switch | 3 50 | ea | | | | | |
| G 66 | 141143 | Sink Strainer/Drain Assy | 6 00 | ea | | | | | |
| G 73 | 329185 | Drink/Soap Holder | 15 00 | ea | | | | | |
| H-02 | 104752 | Alum Mini Blinds Complete | 159 00 | st | | | | | |
| H-05 | 102210 | Classic Pinafore Flat | 8 50 | ly | | | | | |
| H-05 | 102228 | Classic Pinafore w/Foam | 14 50 | ly | | | | | |
| H-05 | 102251 | Classic Blossom Flat | 8 50 | ly | | | | | |
| H-05 | 102269 | Classic Blossom w/Foam | 14 50 | ly | | | | | |
| H-05 | 102293 | Classic Promenade Flat | 8 50 | ly | | | | | |
| H-05 | 102301 | Classic Promenade w/Foam | 14 50 | ly | | | | | |
| H-08 | 128348 | 60 7/8 Stanchion | 2 50 | ea | | | | | |
| H-08 | 128322 | 90 End Base | 3 00 | ea | | | | | |
| H 12 | 221341 | Tambour 1/8 4 x 8 Red Oak | 166 50 | sh | | | | | |
| H 12 | 122929 | Tambour Slide Left Spiral | 1 00 | ea | | | | | |
| H 12 | 122937 | Tambour Slide Right Spiral | 1 00 | ea | | | | | |
| H 25 | 145029 | Dual Volt Dome Light | 42 50 | ea | | | | | |
| H 28 | 137349 | Access Hatch | 2 00 | ea | | | | | |
| H 35 | 144725 | Shower Assy P/Button w/Quick Disc | 29 00 | ea | | | | | |
| H-43 | 329193 | Sliding Mirror Cabinet Door | 27 00 | ea | | | | | |
| H-43 | 145896 | Door/Drawer Pull Blue Ice | 2 50 | ea | | | | | |
| H-43 | 145888 | Door/Drawer Pull Mauve | 2 50 | ea | | | | | |
| H-43 | 145870 | Door/Drawer Pull Teal | 2 50 | ea | | | | | |
| H-45 | 349274 | Head Storage Door w/Hdwe Blue | 55 00 | ea | | | | | |
| H-45 | 349324 | Head Storage Door w/Hdwe Burg | 55 00 | ea | | | | | |
| H-45 | 349332 | Head Storage Door w/Hdwe Teal | 55 00 | ea | | | | | |
| H-45 | 129403 | Concealed Interior Hinge | 3 50 | ea | | | | | |
| H-45 | 145896 | Door/Drawer Pull Blue Ice | 2 50 | ea | | | | | |
| H-45 | 145888 | Door/Drawer Pull Mauve | 2 50 | ea | | | | | |

DINETTE

Sea Ray
A Brunswick Company
300 DA
1989



300 SUNDANCER - 1989



| | | | | | | | | | |
|------|--------|-----------------------------------|--------|----|------|--------|----------------------------------|--------|----|
| S-01 | 102210 | Fabric Classic Pinafore Blue Flat | 8 50 | ly | S-29 | 320556 | Aft Dinette Seat Cush Blue | 95 00 | ea |
| S-01 | 102228 | Fabric Classic Pinafore w/Foam | 14 50 | ly | S-29 | 320606 | Aft Dinette Seat Skin Blue | 63 00 | ea |
| S-01 | 102251 | Fabric Classic Blossom Burg Flat | 8 50 | ly | S-29 | 320630 | Aft Dinette Seat Cush Mauve | 95 00 | ea |
| S-01 | 102269 | Fabric Classic Blossom w/Foam | 14 50 | ly | S-29 | 320648 | Aft Dinette Seat Skin Mauve | 63 00 | ea |
| S-01 | 102293 | Fabric Classic Promenade Flat | 8 50 | ly | S-29 | 320655 | Aft, Dinette Seat Cush Teal | 95 00 | ea |
| S-01 | 102301 | Fabric Classic Promenade w/Foam | 14 50 | ly | S-29 | 336222 | Aft Dinette Seat Skin Teal | 63 00 | ea |
| S-01 | 104018 | Fabric Pueblo Slate Flat | 17 00 | ly | S-30 | 320754 | Dinette Seat Filler Cush Blue | 95 00 | ea |
| S-01 | 104026 | Fabric Davenport Mauve Flat | 17 00 | ly | S-30 | 320739 | Dinette Seat Filler Skin Blue | 63 00 | ea |
| S-01 | 104034 | Fabric Silverlining Aqua Flat | 17 00 | ly | S-30 | 320721 | Dinette Seat Filler Cush Mauve | 95 00 | ea |
| S-02 | 104752 | Micro Set Blinds | 159 00 | st | S-30 | 320713 | Dinette Seat Filler Skin Mauve | 63 00 | ea |
| S-02 | 224741 | Curtain Desert Misty Mauve | 195 00 | st | S-30 | 320671 | Dinette Seat Filler Cush Teal | 95 00 | ea |
| S-02 | 214387 | Curtain Desert Misty Blue | 195 00 | st | S-30 | 320663 | Dinette Seat Filler Skin Teal | 63 00 | ea |
| S-02 | 224758 | Curtain Desert Misty Green | 195 00 | st | S-41 | 103598 | Interior Carpet Mauve 40 oz | 17 00 | sy |
| S-04 | 102350 | Fabric Concept Blue Flat | 17 00 | ly | S-41 | 103549 | Interior Carpet Azure Blue | 17 00 | sy |
| S-04 | 102368 | Fabric Concept Mauve Flat | 17 00 | ly | S-41 | 103606 | Interior Carpet Med Green | 17 00 | sy |
| S-04 | 102376 | Fabric Concept Teal Flat | 17 00 | ly | S-47 | 215350 | XR 240 Sony Stereo | 387 00 | ea |
| S-04 | 103978 | Fabric Concept Mauve w/Foam | 22 00 | ly | S-47 | 212779 | 5/4 Round XS-6021 Speakers | 55 50 | ea |
| S-04 | 102202 | Fabric Concept Blue w/Foam | 22 00 | ly | S-48 | 336230 | Hanging Locker Door w/Hdwe | 185 00 | ea |
| S-04 | 103960 | Fabric Concept Teal w/Foam | 21 00 | ly | S-48 | 140236 | Double Ball Catch Nickel Brass | 1 50 | ea |
| S-05 | 102244 | Fabric Manhattan Blue Flat | 16 00 | ly | S-48 | 129403 | Concealed Interior Hinge (MSAS) | 3 50 | ea |
| S-05 | 102285 | Fabric Manhattan Mauve Flat | 16 00 | ly | S-55 | 336248 | MDP Door w/Hdwe | 80 00 | ea |
| S-05 | 102236 | Fabric Manhattan Blue w/Foam | 22 00 | ly | S-59 | 145136 | Corr Resist Receptacle Grey | 14 00 | ea |
| S-05 | 102277 | Fabric Manhattan Mauve w/Foam | 14 00 | ly | S 59 | 145110 | GFI Duplex Receptacle Grey | 24 00 | ea |
| S-05 | 102319 | Fabric Manhattan Teal w/Foam | 22 00 | ly | S 59 | 145102 | Duplex Receptacle Grey 15A | 13 00 | ea |
| S-05 | 102327 | Fabric Manhattan Teal Flat | 16 00 | ly | S-69 | 129544 | Carbon Monoxide Danger Plate | 1 50 | ea |
| S-06 | 130054 | Table Leg Post 33 Polss | 24 00 | ea | S-69 | 135137 | Warning Gen /Blower Plate | 4 00 | ea |
| S-06 | 130096 | Leg/Post Surface Mount | 5 00 | ea | S-75 | 223941 | A/C Ctrl Panel 220/50 | 230 00 | ea |
| S 06 | 329243 | Table Complete w/Hdwe Blue | 240 00 | ea | S 75 | 223933 | A/C Ctrl Panel 110/60 | 225 50 | ea |
| S-06 | 335265 | Table Complete w/Hdwe Burg | 240 00 | ea | S 75 | 124032 | Duct/AC 4 Hose | 4 00 | ft |
| S-06 | 335273 | Table Complete w/Hdwe Teal | 240 00 | ea | S-75 | 124040 | Duct/AC 5 Hose | 4 50 | ft |
| S 12 | 123000 | Tambour 1/8 x 4 x 8 Red Oak | 148 00 | sh | S-75 | 118893 | Engine Box Soundproof Insulation | 1 50 | ft |
| S 12 | 122929 | Tambour Slide Left Spiral | 1 50 | ea | S-75 | 219329 | 14" Air Conditioner Grille | 26 50 | ea |
| S 12 | 122937 | Tambour Slide Right Spiral | 1 50 | ea | S-75 | 219337 | 8" Air Conditioner Grille | 26 50 | ea |
| S-15 | 123042 | Plastic Drawer 15 x 18 x 7 1 | 14 00 | ea | | | | | |
| S 15 | 336198 | Drawer w/Face 15 x 18 x 7 1 | 45 00 | ea | | | | | |
| S-15 | 336206 | Drawer w/Face 15 x 18 x 7 1 | 45 00 | ea | | | | | |
| S 15 | 336214 | Drawer w/Face 15 x 18 x 7 1 | 45 00 | ea | | | | | |
| S 15 | 145870 | Plastic Door/Drawer Pull Almond | 2 50 | ea | | | | | |
| S-15 | 145888 | Plastic Door/Drawer Pull Dawn | 2 50 | ea | | | | | |
| S-15 | 145896 | Plastic Door/Drawer Pull Blue Ice | 2 50 | ea | | | | | |
| S-15 | 119255 | Plastic Drawer Slide 20 | 1 00 | ea | | | | | |
| S 15 | 140236 | Double Ball Catch Nickel/Brass | 1 50 | ea | | | | | |
| S-16 | 322651 | Drawer w/Face 15 x 18 x 3 3 Blue | 45 00 | ea | | | | | |
| S-16 | 320358 | Drawer w/Face 15 x 18 x 3 3 Burg | 45 00 | ea | | | | | |
| S 16 | 320382 | Drawer w/Face 15 x 18 x 3 3 Teal | 45 00 | ea | | | | | |
| S-16 | 118935 | Platic Drawer 15 x 18 x 3 3 | 14 00 | ea | | | | | |
| S-16 | 145870 | Plastic Door/Drawer Pull Almond | 2 50 | ea | | | | | |
| S-16 | 145888 | Plastic Door/Drawer Pull Dawn | 2 50 | ea | | | | | |
| S-16 | 145896 | Plastic Door/Drawer Pull Blue Ice | 2 50 | ea | | | | | |
| S-16 | 119255 | Plastic Drawer Slide 20 | 1 00 | ea | | | | | |
| S 16 | 140236 | Double Ball Catch Nickel/Brass | 1 50 | ea | | | | | |
| S-19 | 320440 | Dinette Backrest Aft Blue | 105 00 | ea | | | | | |
| S-19 | 320457 | Dinette Backrest Aft Skin Blue | 70 00 | ea | | | | | |
| S 19 | 320465 | Dinette Backrest Aft Mauve | 105 00 | ea | | | | | |
| S-19 | 320507 | Dinette Backrest Aft Skin Mauve | 70 00 | ea | | | | | |
| S 19 | 320531 | Dinette Backrest Aft Teal | 105 00 | ea | | | | | |
| S 19 | 320549 | Dinette Backrest Aft Skin Teal | 70 00 | ea | | | | | |
| S-25 | 130625 | Half Shade Steplight | 5 00 | ea | | | | | |
| S 25 | 214098 | Double Dome Light Flush Mount | 9 00 | ea | | | | | |
| S 25 | 208694 | Plas Swivel Spotlight Grey/Wht | 23 00 | ea | | | | | |
| S-26 | 320804 | Fwd Dinette B/R Blue | 105 00 | ea | | | | | |
| S-26 | 320812 | Fwd Dinette B/R Skin Blue | 70 00 | ea | | | | | |
| S 26 | 320846 | Fwd Dinette B/R Mauve | 105 00 | ea | | | | | |
| S-26 | 320861 | Fwd Dinette B/R Skin Mauve | 70 00 | ea | | | | | |
| S-26 | 320887 | Fwd Dinette B/R Teal | 105 00 | ea | | | | | |
| S-26 | 321034 | Fwd Dinette B/R Skin Teal | 70 00 | ea | | | | | |
| S-27 | 321067 | Fwd Dinette Seat Cushion Blue | 165 00 | ea | | | | | |
| S 27 | 321075 | Fwd Dinette Seat Skin Blue | 109 00 | ea | | | | | |
| S-27 | 321083 | Fwd Dinette Seat Cushion Mauve | 165 00 | ea | | | | | |
| S-27 | 321091 | Fwd Dinette Seat Skin Mauve | 109 00 | ea | | | | | |
| S-27 | 321109 | Fwd Dinette Seat Cushion Teal | 165 00 | ea | | | | | |
| S-27 | 320770 | Fwd Dinette Seat Skin Teal | 109 00 | ea | | | | | |