

2005 240SD

PARTS MANUAL

240

SUNDECK®



Sea Ray® Parts Manual, 2005 240 SUNDECK MRP # 1772964

Sea Ray Boats, 2600 Sea Ray Blvd., Knoxville, TN 37914. For information call 1-800-SRBOATS or fax 1-314-213-7878 (USA and International).

Internet address: <http://www.searay.com>

Note: Not all accessories shown in pictures or described herein are standard equipment or even available as options.

Options and features are subject to change without notice.

Confirm the availability of all accessories and equipment with an authorized Sea Ray® dealer.

2005 240 SUNDECK

TABLE OF CONTENTS

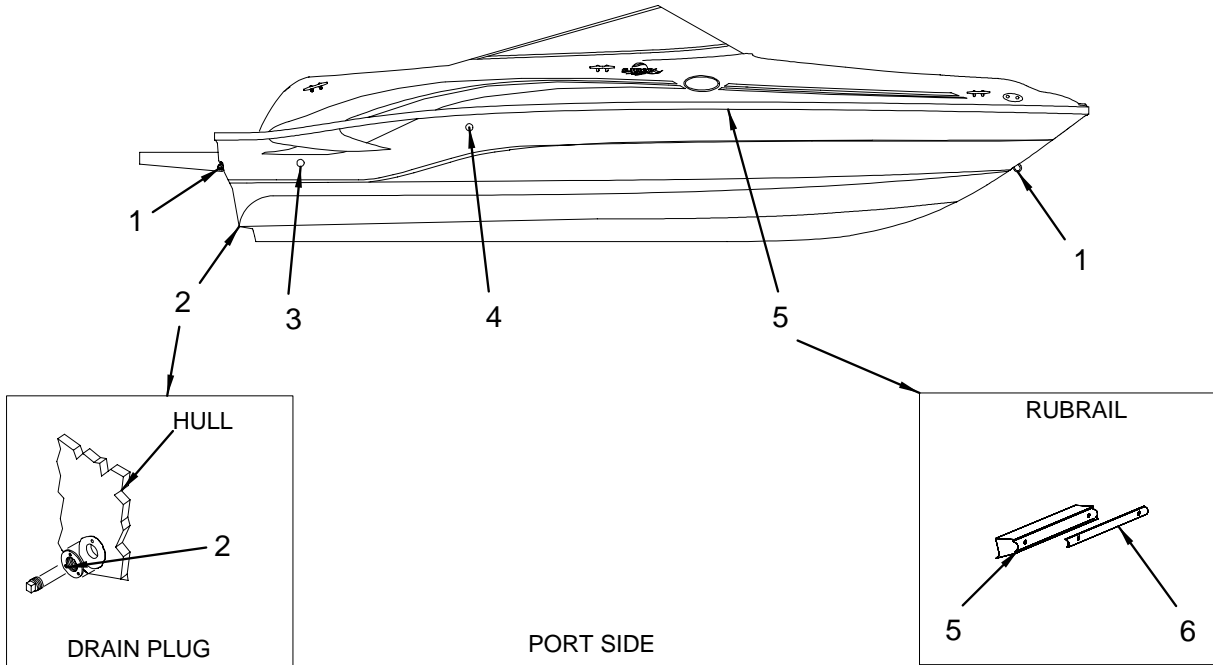


<u>STANDARD & OPTIONAL LAYOUTS</u>	<u>PAGE</u>
EXTERIOR (HULL)	1, 2
EXTERIOR (DECK)	3, 4, 5
WATER SPORTS TOWER	6, 7
EXTERIOR (GRAPHICS)	8
CANVAS (RED)	9, 10
CANVAS (BLUE)	11, 12
CANVAS (GREEN)	13, 14
CANVAS (BLACK)	15, 16
CANVAS (CHARCOAL)	17, 18
COCKPIT	19, 20
COCKPIT (HELM)	21, 22
INSTRUMENT PANEL	23, 24
SWITCH PANEL	25
POWER TRIM AND TRIM TAB SWITCH PANEL	26
SATELLITE STEREO SYSTEM	27
COCKPIT (UPHOLSTERY)	28, 29
COCKPIT (SNAP-IN CARPET LINER)	30
HEAD	31, 32
MULTI-INFO PACKET	33
TELLICO HARDWARE	34, 35
BILGE	36, 37
STEERING SYSTEM	38, 39
FUEL SYSTEM	40, 41
WATER SYSTEM	42, 43
SEWAGE SYSTEM (PUMP-OUT HEAD)	44
SEWAGE SYSTEM (VACUUM FLUSH HEAD W/HOLDING TANK)	45, 46
DRAINAGE SYSTEM	47, 48

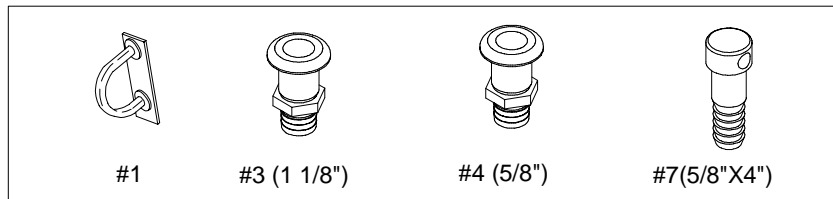
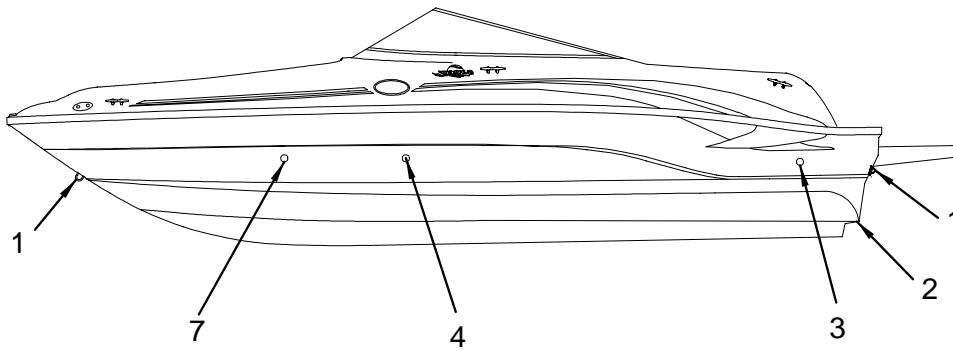
<u>OPTIONS - PARTS LIST</u>	<u>PAGE</u>
350 MAG MPI BR 3 (300 PHP) MCM STERN DR.	49
MX 6.2L MPI BR 3 (320 PHP) MCM STERN DRIVE	49
5.0L MPI BR 3 (260 PHP) MCM STERN DRIVE	49
TWO BUCKET SEATS W/ SUN LOUNGER SEATING PKG.	49
2ND STEREO REMOTE CONTROL -TRANSOM	49
PREMIER STEREO UPGRADE W/ AMP & SUBWOOFER	49
WAKE BOARD RACKS (MUST ORDER SPORTS TOWER)	49
STEERING WHEEL - VESSEL CONTROL SYSTEM	49
INTERNATIONAL VINYL PACKAGE	49
24" BRAVO 3 SET (2 COUNTER ROTATING PROPS)	49
26" BRAVO 3 SET (2 COUNTER ROTATING PROPS)	49
PUMP-OUT HEAD	49
VACUUM FLUSH HEAD W/HOLDING TANK	49
CHARCOAL CANVAS OPTION	49
FM-200 OPT. FIRE SUPPRESSION SYS-CAN.& AUS.	49
TWO TONE GELCOAT GRAPHICS	49
SIRIUS SATELLITE RADIO	49
SPEAKERS FOR WATER SPORTS TOWER	50
BATTERY ON / OFF SWITCH	50
WATER SPORTS TOWER W/ STD BIMINI TOP	50
FIRE SUPPRESSION SYSTEM - AUTOMATIC	50
BATTERY SWITCH-DUAL W/ 2ND TRAY SINGLE ENG.	50
COCKPIT COVER W/ TONNEAU COVER	50
BIMINI CANVAS PACKAGE	50
TRANSOM TRIM SWITCH	50
CD CHANGER, 6 DISC	50
*****	50
C E OPTION GROUP	50
C E FIRE SYSTEM - EUROPEAN DEALERS ONLY	50
2.43 TO 1 BRAVO 3 HIGH ALTITUDE GEAR RATIO	50
FORWARD BIMINI TOP & BOOT	50
OWNER ORIENTATION VIDEO - PAL FORMAT	50
FORWARD COCKPIT TABLE	50
BOW FILLER CUSHION (S)	50
CANADIAN CONFORMITY STICKER	50
WATER SPORTS TOWER W/WAKEBOARD RACKS	50

EXTERIOR (HULL)

STARBOARD SIDE



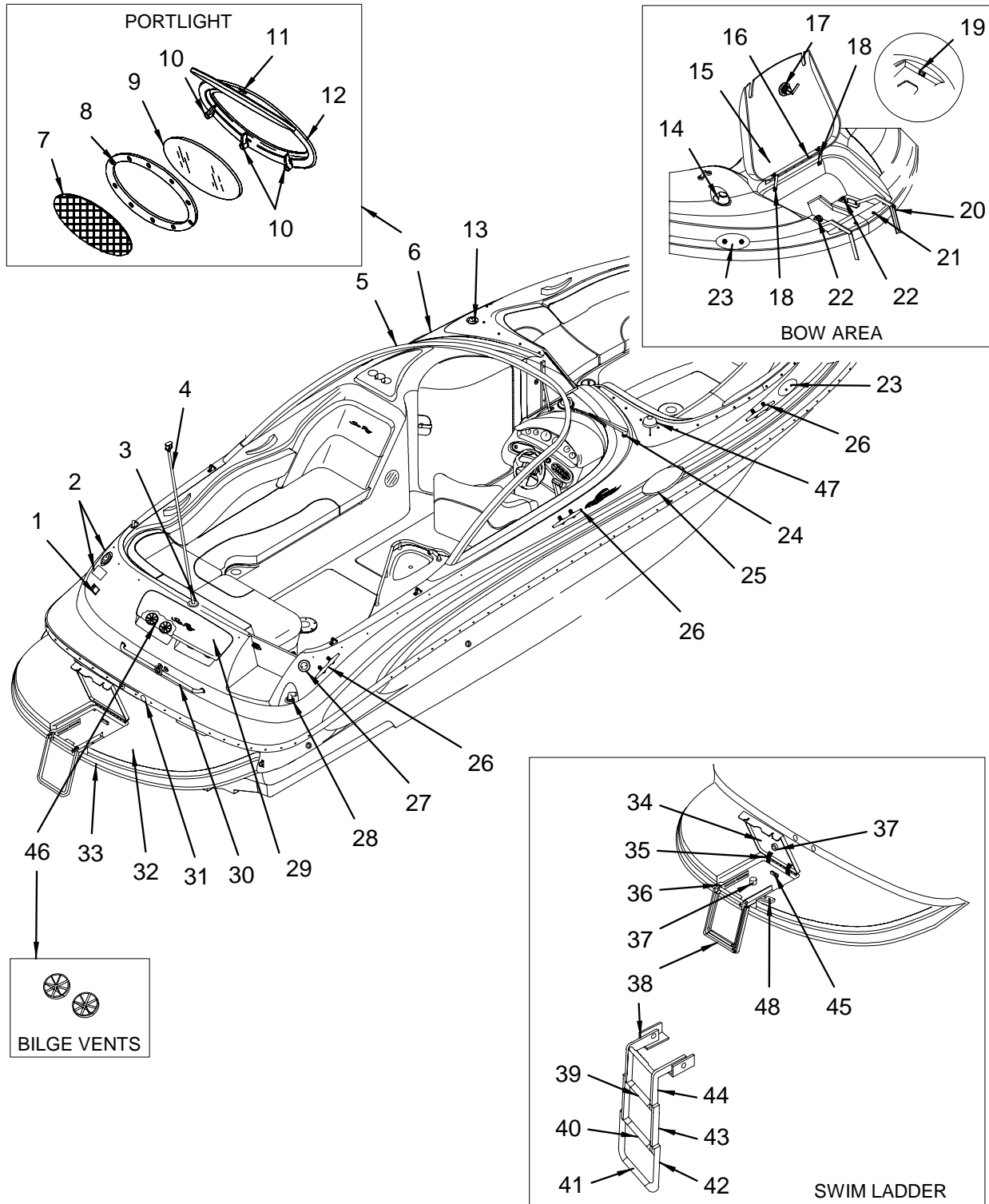
PORT SIDE



EXTERIOR (HULL)

- 1 126599 EYE, STERN 1/2"X 3 7/16" W/BACKING PLATE
- 1473040 PLATE, BACKING UNIVERSAL 3/16"
- 2 1690996 FLANGE, RED BRASS DRAIN PLUG 1.25"
- 3 1778931 THRU-HULL, SS 1 1/8" BARB SHORT W/RBR GASKET
(BILGE PUMP AND DECK DRAINS)
- 1524644 GASKET, THRU-HULL 1 29/32" OD
- 4 1778933 THRU-HULL, SS 5/8" BARB SHORT W/RBR GASKET
(ENTERTAINMENT CTR & HEAD SINKS)
- 1524677 GASKET, THRU HULL 1 29/64" OD
- 5 1784879 RUBRAIL, PVC PEARL 20'SS INSERT 1.825"WIDE
- 6 1080100 INSERT, RUB RAIL SS 3/4"X 12' (.062/304SS)
- 7 1777214 VENT, FUEL/WATER SS 5/8" FLSH STRAIGHT
(PUMP OUT HEAD)
(VACUUM FLUSH HEAD W/HOLDING TANK)

EXTERIOR (DECK)



EXTERIOR (DECK)

- 1 747261 SWITCH, TILT EXTERNAL MOUNT
(TRANSOM TRIM SWITCH)
- 2 1109354 DECK PLATE, GAS CHR W/VENT 45DG NCK RED CODE
(HULL#3001 & 3984->UP)
- 1771034 DECK PLATE, GAS CHR W/VNT 45DG NCK RED W/CONN
(HULL#3002->3983)
- 1213867 DECK PLATE, CAP W/CHAIN GAS (FOR #1109354)
- 1098615 DECK PLATE, GAS CHR W/VENT (SHIM ONLY)
- 1068592 KEY, DECK PLATE CAP
- 1745157 LABEL, FUEL RECOMMENDATION
- 3 1771001 LIGHT, BASE ROUND NAV STERN LIGHT CHR W/CONN
- 4 1078120 LIGHT, NAV A/R STERN 67" 7DEG RG
- 1205665 BULB, STERN NAV LIGHT REPL FOR#929042/#934083
- 1412469 LENS, STERN NAV LIGHT REPL FOR #1078120
- 5 1776714 W/S, 220/240SD-05 STB FRNT W/SNP CLICK TRK
(NOTE: ORDER DIRECT FROM TAYLOR)
- 1776717 W/S, 200/220SEL/200/240SD-05 DOOR W/SNP CLK
(NOTE: ORDER DIRECT FROM TAYLOR)
- 1784252 W/S, 200/220SEL-200/240SD-05 SCRWR CVR
(NOTE: ORDER DIRECT FROM TAYLOR)
- 1776713 W/S, 220/240SD-05 PRT FRNT W/SNP CLICK TRK
(NOTE: ORDER DIRECT FROM TAYLOR)
- 1783035 W/S, 220/240SD-05 HDWR KIT
(NOTE: ORDER DIRECT FROM TAYLOR)
- 1785544 VINYL, W/S GASKET 2005
- 1320001 SUPPORT, W/S 240SD-00 PORT
- 1320027 SUPPORT, W/S 240SD-00 STB
- 6 1453992 PORTLIGHT, OPENING ALL SS 3/8"-7/8" MOD REV1
- 1331735 PORTLIGHT, GASKET ONLY (BOMAR)
- 7 1331313 PORTLIGHT, SCREEN 3/8"X 7/8"
- 8 1314459 PORTLIGHT, GASKET SATURATED FOAM
- 9 1331750 PORTLIGHT, LENS ONLY (BOMAR)
- 10 1107044 PORTLIGHT, HANDLES QUICKDOGS (BOMAR)
- 11 866434 KNOB, PORTLIGHT KNOB ONLY (BOMAR)
- 12 1513183 TRIM RING, PORTLIGHT 3/8" SS
- 13 1355585 DECK PLATE, WASTE CHR STRAIGHT NCK BLK CODE
(PUMP OUT HEAD)
(VACUUM FLUSH HEAD W/HOLDING TANK)
- 1474790 DECK PLATE, CAP W/GASKET
- 1068592 KEY, DECK PLATE CAP
- 14 1771013 LIGHT, NAV SIDE SS HORZ 12V W/CONN
- 1798179 LIGHT, NAV SIDE SS LENS CVR ONLY(RED/PRT)
- 1798182 LIGHT, NAV SIDE SS LENS CVR ONLY(GRN/STB)
- 1423946 BULB, REPL FOR #1414895 12V
- 15 1780759 240SD 05,HATCH,R/L FBRGLS
- 1760140 SHIM, PVC LADDER HATCH CATCH 1/2" WHT
(HULL#3499->4179)
- 16 1749854 HINGE, SS CONT 2"X 14" X 1/2" KNUC POLISHED
- 17 1781437 LATCH, COMPRESSION 2"NLCKING SS
(ORDER LATCH, PLATE AND CATCH FOR COMPLETE LATCH)
- 1781438 CATCH, PAWL 2"OFFSET LONG SS
- 18 1780785 240SD 05,STRAP,ANCHOR HTCH
- 19 1223676 CLEAT, HDPE 190SDOB-99 ROPE LCKR PRL
- 20 1155282 LADDER, SWIM 3-STEP POCKET PRL NYLON COATING
- 1229335 LADDER, SWIM BRKT RH
- 1229343 LADDER, SWIM BLOCK NYLON STOP
- 1229368 LADDER, SWIM BRKT LH
- 1229376 LADDER, SWIM ARM LH
- 1229384 LADDER, SWIM ARM RH
- 1229392 LADDER, SWIM STEP RIBBED "U"
- 1229400 LADDER, SWIM UPR SECTION
- 1229418 LADDER, SWIM LWR SECTION
- 1229350 LADDER, SWIM HDWR KIT FOR MRP #1155282/808782
- 21 1763338 BUMPER, FWD LADDER HATCH PEARL
- 22 590646 CLIP, POLE STRG BLK - MAST LIGHT
- 23 1783020 HORN, DUAL STACKED BLK W/PACKARD CONN
- 1781252 HORN, GRILL SGL SS OVERLAY SERIES 84400-1
- 24 1748562 WIPER MOTOR, 85 DEG (AM)
- 1748544 WIPER ARM, 11"-16" BLACK (AM)
- 1748538 WIPER BLADE, 14" FLEX BLACK (AM)
- 25 1740485 PORTLIGHT, FIXED SS-OUTER/WHT-INNER RV1
- 1798185 PORTLIGHT, LENS ONLY SMOKE FIXED FOR #1740485
- 1767665 TRIM RING, PORTLIGHT WHT INSD FOR #1740485
- 1767666 PORTLIGHT, FRAME OUTER W/SS CAP FOR #1740485
- 26 1777987 CLEAT, 8" SEA RAY SS 2-BOLT
- 1791156 CLEAT, 8" SEA RAY SS 2-BOLT SHRTR STUD LNPTH
- 1473040 PLATE, BACKING UNIVERSAL 3/16"
- 27 1109362 DECK PLATE, WATER CHR W/VNT 45DG NCK BLUE
- 1405844 DECK PLATE, CAP W/CHAIN WATER
- 1068592 KEY, DECK PLATE CAP
- 28 1775029 SHOWER, SPRAY BLK NOZZLE W/8" VINYL HOSE
(HULL#3031->UP)

- 28 1597921 SHOWER, SPRAY NOZZLE W/8"SS HOSE HVY DUTY
(HULL#3001->3030)
- 1671254 SHOWER, HOSE 8" SS W/GASKETS
(HULL#3001->3030)
- 1764405 SHOWER, BLK HANDLE FAUCET SPRAYER NOZZLE
(HULL#3001->3030)
- 1388743 HOLDER, PLAS SPRAYER PRL
(HULL#3001->3030)
- 1524644 GASKET, THRU-HULL 1 29/32" OD
- 29 1333178 COVER, DR/ABS 240SD-00 BILGE VENT PRL
- 1745515 LABEL, WARNING DO NOT STAND/WALK THIS AREA
- 30 1747837 RAIL, STERN W/SKI TOW POLISHED 316L
- 1473040 PLATE, BACKING UNIVERSAL 3/16"
- 31 1628858 BUMPER, WHITE ROUND W/#6 TRUSS HEAD
- 32 1780784 240SD 05,SWMPLTFM,FBRGLS
- 33 1156348 TRIM, EDGE PEARL MOTOR BOX LARGE
- 34 1780760 240SD 05,HATCH,SWM LDR FBRGLS
- 35 1749855 HINGE, SS CONT 2"X 14.5" X 1/2" KNUC POLISHED
- 36 274373 BUMPER, CANOE CLIP MED WHT
- 37 1118314 CATCH, RBR SUNPAD HOLD-DOWN
- 38 1798013 LADDER, SWIM 3 STEP SS SR CUSTOM STEP TREADS
(HULL#3923->UP)
- 1473750 LADDER, SWIM 3-STEP SS CONCEALED REV2 GUDGNS
(HULL#3001->3922)
- 1682293 LADDER, SWIM HDWR KIT FOR MRP #1473750
- 1685191 LADDER, SWIM SLIDING GUDGEON ASSY
- 1760128 SHIM, PVC LADDER HATCH CATCH 3/4" WHT
- 39 973446 LADDER, TREAD 10 3/8"
- 40 909317 LADDER, TREAD 11.75"
- 41 909325 LADDER, TREAD 12 7/8"
- 42 1225788 LADDER, SWIM BTM "U"
- 43 1225762 LADDER, SWIM MID "U"
- 44 1225770 LADDER, SWIM TOP "U"
- 45 1291160 CLEAT, HDPE 3/4"X 1"X 4" PRL
- 46 716159 VENT, PLAS GRILL 4" BLK
- 47 1757933 ANTENNA, SHAKESPEARE SATELLITE RADIO ANTENNA
(SIRIUS SATELLITE RADIO)
- 48 1798635 BUMPER, 05 LADDER HATCH PEARL

LABELS

- 1750454 DECAL, SEA RAY OWNERS CLUB (NBOA) RV
- 1750455 DECAL, STRUCTURAL WARRANTY SPRTBT
- 129122 LABEL, NMMA CERTIFIED
- 1743534 LABEL, FRESH WATER (LEXAN)
(HULL#3042->3558)
- 1573112 LABEL, LADDER MAINTENANCE
(LOCATED ON LADDER HATCH)
- 1743571 LABEL, DANGER TRANSOM DOOR (LEXAN)
(LOCATED ON TRANSOM DOOR)
- 1745125 LABEL, SKI TOW ROPE BACKLASH
(LOCATED ABOVE SKI RAIL)
- 1745157 LABEL, FUEL RECOMMENDATION
(LOCATED UNDER DECK FILL PLATE)
- 1745512 LABEL, STAY CLEAR OF MOVING PARTS ON ENGINE
(LOCATED UNDER MOTORBOX)
- 1745519 LABEL, DANGER SHUT OFF ENG WHEN NEAR SWIMMERS
(LOCATED BESIDE LADDER ON SWIM PLATFORM)
- 1791388 DECAL, MERCURY CERTIFIED INSTALLER
(5.0L MPI BR 3 (260 PHP) MCM STERN DRIVE)
(350 MAG MPI BR 3 (300 PHP) MCM STERN DR.)
(MX 6.2L MPI BR 3 (320 PHP) MCM STERN DRIVE)

VAC PACK

- 1727511 EMBLEM, VACPAC SR LOGO W/ISO/CE SML
- 1734620 TAPE, VAC PAK WHT (2"X 180') FLAME RETARDANT
- 1691151 TAPE, VAC PAK WHT (4"X 180') FLAME RETARDANT
- 1324466 VINYL FILM, 240SD-00 PLAS CVR W/VENTS
- 575548 VINYL FILM, POLY BAG 40"X 72"X 4MM
- 1778490 FOAM, P/C 1" SPLIT PIPE INSULATION
(EXPORT PACKING - INTERNATIONAL)
- 1128875 TAPE, VAC PACK WHT (1"X 36YDS) PRESERVATION
(EXPORT PACKING - INTERNATIONAL)
- 413070 TAPE, VAC PAK WHT (2"X 36YDS) PRESERVATION
(EXPORT PACKING - INTERNATIONAL)
- 838888 TAPE, PACKING BOX IND 2.6MIL 2"
(EXPORT PACKING - INTERNATIONAL)
- 468934 TAPE, VAC PAK WHT (4"X 36YDS) PRESERVATION
(EXPORT PACKING - INTERNATIONAL)

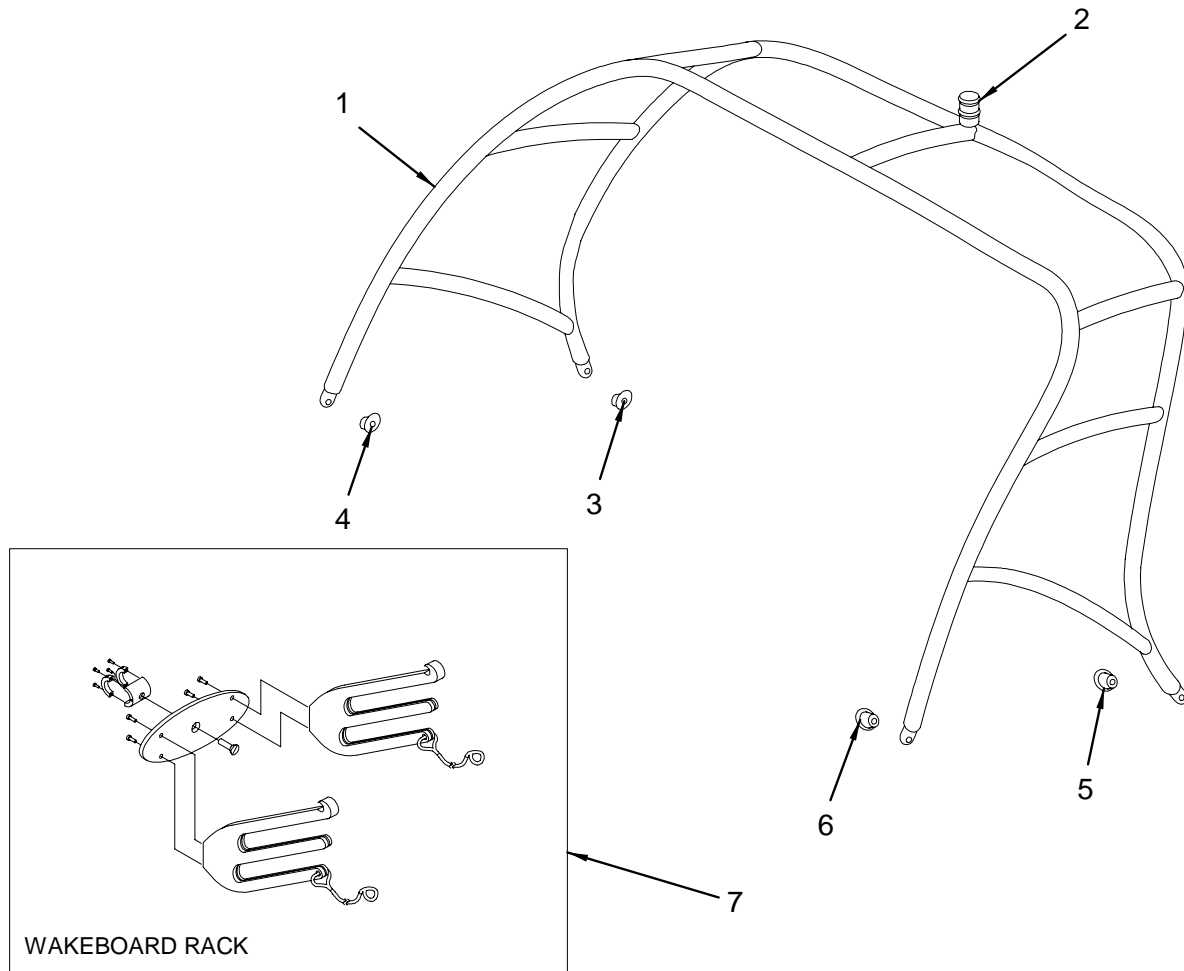
NOT SHOWN

- 663708 BUMPER, CLEAR .020" THICK
- 1675313 TAPE, NORSEAL 0.125"X 7/8"X 100' SWIVEL FREE
- 1210558 TAPE, SOLID 1/4" PEARL GEL
- 156893 WEBBING, POLYPROPYLENE 1" BLACK

NOT SHOWN (continued)

1312750 CABLE, CLARION REMOTE EXTENSION CABLE 24'
1755469 STEREO, REMOTE CNTRL W/DIG DSPLY FOR XMD3 BLK
935080 CABLE, CLARION DUAL REMOTE "Y"

WATER SPORTS TOWER



WATER SPORTS TOWER

- 1 1781321 TOWER, 240SD-05 ALUM WTR SPRTS W/STERN LIGHT (HULL#3006->UP)
- 1796292 TOWER, 240SD-05 ALUM TOWER W/LT & SPKR (SPEAKERS FOR WATER SPORTS TOWER)
- 1756513 TOWER, 240SD-04 WTR SPRTS HDWR KIT (SEE HARDWARE FOR SEPARATE COMPONENTS)
- 1793145 TOWER, 270SD-05 WTR SPRTS HDWR KIT (SEE HARDWARE FOR SEPARATE COMPONENTS) (SPEAKERS FOR WATER SPORTS TOWER)
- 1747881 TOWER, 240SD-04 ALUM WTR SPRTS (HULL#3001->3005)
- 1792995 LIGHT, ASSY WTR SPRTS TWR
- 2 1773140 SKI TOW ASSY, SUNDECK SPRT BOAT WTR TOWER
- 3 1773141 TOWER, SUNDECK SPRT BOAT PAD ASSY STB AFT
- 1762805 SCREW, CAP 3/8" SCH UNC WTR SPRTS TWR
- 1762804 WASHER, WATER SPORTS TWR LEG NYLON
- 4 1773142 TOWER, SUNDECK SPRT BOAT PAD ASSY STB BOW
- 1762805 SCREW, CAP 3/8" SCH UNC WTR SPRTS TWR
- 1762804 WASHER, WATER SPORTS TWR LEG NYLON
- 5 1773143 TOWER, SUNDECK SPRT BOAT PAD ASSY PRT AFT
- 1762805 SCREW, CAP 3/8" SCH UNC WTR SPRTS TWR
- 1762804 WASHER, WATER SPORTS TWR LEG NYLON
- 6 1773144 TOWER, SUNDECK SPRT BOAT PAD ASSY PRT BOW
- 1762805 SCREW, CAP 3/8" SCH UNC WTR SPRTS TWR
- 1762804 WASHER, WATER SPORTS TWR LEG NYLON

- 7 1783635 SUPPORT, SR-05 ALUM WAKEBOARD RACK ANODIZED (INDIVIDUAL COMPONENTS NOT SOLD SEPARATELY AT THIS TIME)
- 1443191 EMBLEM, S/R WAVE 5" OVAL CHR TRNSM

HARDWARE

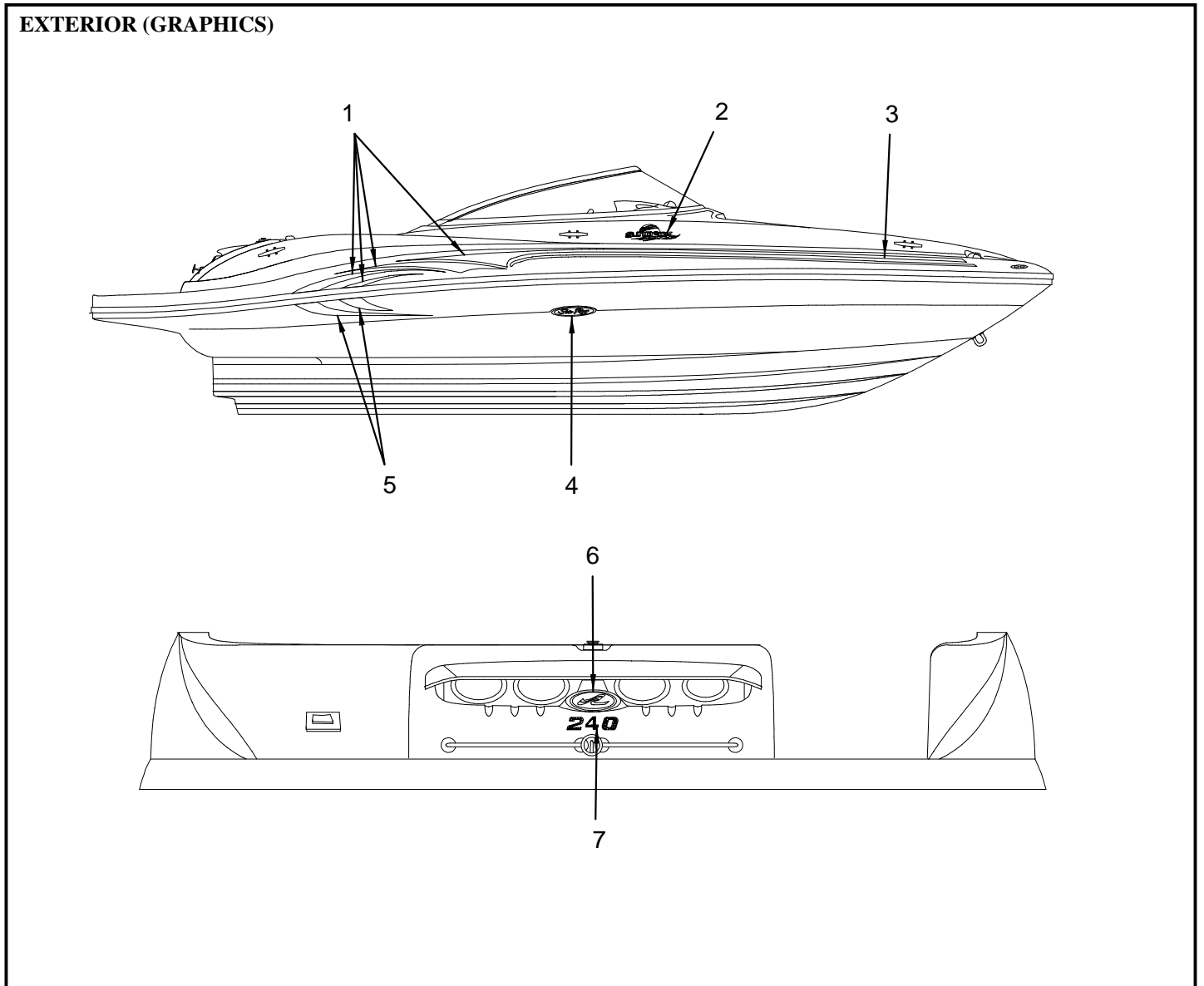
- 1747371 BOLT, WATER SPORTS TWR 1/4-20-3" (WATER SPORTS TOWER W/WAKEBOARD RACKS) (SPEAKERS FOR WATER SPORTS TOWER)
- 1784031 GASKET, WTR SPORTS TWR OVAL (WATER SPORTS TOWER W/WAKEBOARD RACKS) (SPEAKERS FOR WATER SPORTS TOWER)
- 1747372 NUT, NYLON LOCK 1/4-20 WTR SPRTS TWR (WATER SPORTS TOWER W/WAKEBOARD RACKS) (SPEAKERS FOR WATER SPORTS TOWER)
- 1762807 PLATE, BACKING WTR SPRTS TWR SR (WATER SPORTS TOWER W/WAKEBOARD RACKS) (SPEAKERS FOR WATER SPORTS TOWER)
- 1747373 WASHER, WATER SPORTS TWR 1/4-20 FENDER (WATER SPORTS TOWER W/WAKEBOARD RACKS) (SPEAKERS FOR WATER SPORTS TOWER)
- 1762807 PLATE, BACKING WTR SPRTS TWR SR (SPEAKERS FOR WATER SPORTS TOWER)
- 1784031 GASKET, WTR SPORTS TWR OVAL (SPEAKERS FOR WATER SPORTS TOWER)

LABELS

1745125 LABEL, SKI TOW ROPE BACKLASH

NOT SHOWN

1786803 HARNESS, TOWER 87"
126870 VENT, CLAMSHELL ROPE LCKR 1 5/8"X 1.5"
1785695 VINYL FILM, 240SD-05 PLAS CVR W/VENTS W/TWR
1790333 SPEAKER, TOWER 6100 INFINITY W/AMP-MIC
(SPEAKERS FOR WATER SPORTS TOWER)
1801814 STEREO, AMP F/INF-6100M (#1790333)
(SPEAKERS FOR WATER SPORTS TOWER)



EXTERIOR (GRAPHICS)

- 1 1779898 TAPE, APP 240SD-05 SLVRMET/BLK STB DECK
- 1779899 TAPE, APP 240SD-05 SLVRMET/BLK PRT DECK
- 2 1779890 TAPE, LOGO SUNDECK URETH BLK/CHR
- 3 1779891 TAPE, M/S 1.5"W1/4"VOID SLVRMET/BLK
- 4 1443183 EMBLEM, "SEA RAY" SCRIPT HULL LOGO CHR 13"
- 5 1779896 TAPE, APP 240SD-05 SLVRMET/BLK STB HULL
- 1779897 TAPE, APP 240SD-05 SLVRMET/BLK PRT HULL
- 6 1443191 EMBLEM, S/R WAVE 5" OVAL CHR TRNSM
- 7 1523364 EMBLEM, MODEL DESG 240 PRO URETHANE BLK W/CHR

GELCOATS (continued)

- 1784621 GEL COAT, NEW PEWTER ARMORCOTE (DASH GEL)
- 1452861 GEL COAT, PEARL AIR-DRY (BILGE)

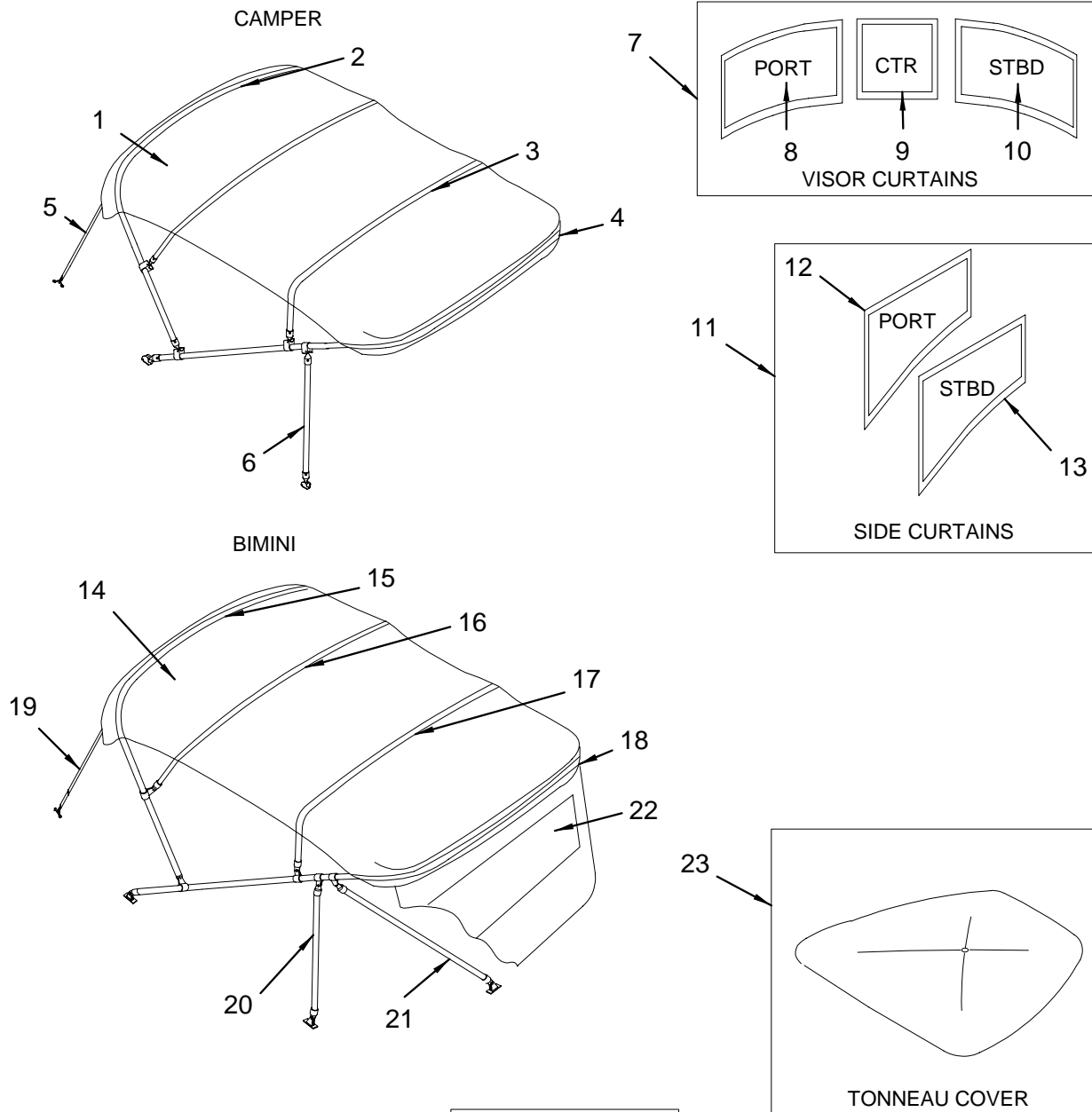
NOT SHOWN

- 1782379 GRAPHICS KIT, 240SD-05 SLVRMET/BLK
- 1690443 TAPE, SOLID 3/8" PRL (TWO TONE GELCOAT GRAPHICS)

GELCOATS

- 1753670 GEL COAT, NICKLE ARMORCOTE
- 1558469 GEL COAT, MAXGUARD LE PEARL
- 1687628 GEL COAT, MAXGUARD MIDNIGHT BLUE (TWO-TONE GELCOAT GRAPHICS)
- 1310424 GEL COAT, HNTR GRN (TWO-TONE GELCOAT GRAPHICS)
- 1690845 GEL COAT, JET BLK (TWO-TONE GELCOAT GRAPHICS)
- 1791044 GEL COAT, VIBRANT YELLOW (HULL#3543->UP) (TWO-TONE GELCOAT GRAPHICS)
- 1690266 GEL COAT, YELLOW ARMORCOTE (HULL#3001->3542) (TWO-TONE GELCOAT GRAPHICS)
- 1690265 GEL COAT, RED ARMORCOTE (TWO-TONE GELCOAT GRAPHICS)

CANVAS (BLUE)



CANVAS HARDWARE

END CAP	JAW SLIDE	PLASTIC REPLACEMENT INSERT	PULL PIN	PULL PIN W/LANYARD	RADIUS HINGE	SIDE SPACER	STRAIGHT HINGE	STRAP EYE
24	25	26	27	28	29	30	31	32

CANVAS (BLUE)

1	1778232	CANVAS, 240SD-05 CAMP TOP CAPT NAVY
	1778233	CANVAS, 240SD-05 CAMP TOP BOOT CAPT NAVY
	1772243	CANVAS, 240SD-04 CAMP TOP BOWS W/HDWR
	1772245	CANVAS, 240SD-04 CAMP TOP HDWR MNT PKG
2	1772246	CANVAS, 240SD-04 CAMP TOP BOW2 N/HDWR
3	1772250	CANVAS, 240SD-04 CAMP TOP BOW3 N/HDWR
4	1772244	CANVAS, 240SD-04 CAMP TOP MAIN BOW N/HDWR
5	1776635	CANVAS, 240SD-04 CAMP TOP FWD STAN/STP
6	1772252	CANVAS, 240SD-04 CAMP TOP REAR SUPPORT POLE
7	1778224	CANVAS, 240SD-05 VISOR 3PC ST CLR/CAP NVY
8	1780790	CANVAS, 240SD-05 VISOR CURT PRT CLR/CAPT NVY
9	1780791	CANVAS, 240SD-05 VISOR CURT CTR CLR/CAPT NVY
10	1780792	CANVAS, 240SD-05 VISOR CURT STB CLR/CAPT NVY
11	1778228	CANVAS, 240SD-05 SIDE CURT SET W/SNPS CAP NVY
12	1780793	CANVAS, 240SD-05 SIDE CURT PRT CAPT NVY
13	1780794	CANVAS, 240SD-05 SIDE CURT STB CAPT NVY
14	1778222	CANVAS, 240SD-05 BIM TOP CAP NVY
	1778223	CANVAS, 240SD-05 BIM TOP BOOT CAP NVY
	1770062	CANVAS, 240SD-04 BIM TOP BOWS W/HDWR
	1770061	CANVAS, 240SD-04 BIM TOP HDWR MNT PKG
15	1770063	CANVAS, 240SD-04 BIM TOP BOW2 W/HDWR
16	1770064	CANVAS, 240SD-04 BIM TOP BOW3 N/HDWR
17	1770065	CANVAS, 240SD-04 BIM TOP BOW4 N/HDWR
18	1770060	CANVAS, 240SD-04 BIM TOP MAIN BOW N/HDWR
19	1776632	CANVAS, 240SD-04 BIM TOP FWD STANCHION/STRAP
20	1770067	CANVAS, 240SD-04 BIM TOP REAR STANCH 32.5"ADJ
21	1770066	CANVAS, 240SD-04 BIM TOP SWAY POLE
22	1778229	CANVAS, 240SD-05 AFT CURT W/SNPS CAP NVY
23	1778231	CANVAS, 240SD-05 TONNEAU CVR W/SNPS CAP NVY
	1778235	CANVAS, 240SD-05 TONNEAU CVR W/CAMP/SNPS CAPN
	148429	POLE, TONNEAU COVER SUPPORT ADJ
24	1760354	CAP, SS EYE END BALL/SOCKET TYPE
25	1760355	SLIDE, JAW SLIDE BALL/SOCKET TYPE SS
	1760596	SCREW, SLOT PAN BALL/SOCKET JAW SLIDE
26	1760358	INSERT, DECK HINGE BALL/SOCKET BLK
27	1357854	PIN, PULL 1.25" TOGGLE W/RING LNYRD SPRING SS
28	1760595	PIN, PULL BALL/SOCKET TYPE W/RING LNYRD BLK
29	1760357	HINGE, DECK RADIUS BALL/SOCKET TYPE SS
30	580688	SPACER, SIDE CURTAIN 7/8"
31	1760356	HINGE, DECK FLAT BALL/SOCKET TYPE SS
32	148031	EYE, STRAP EYE TIE-DOWN

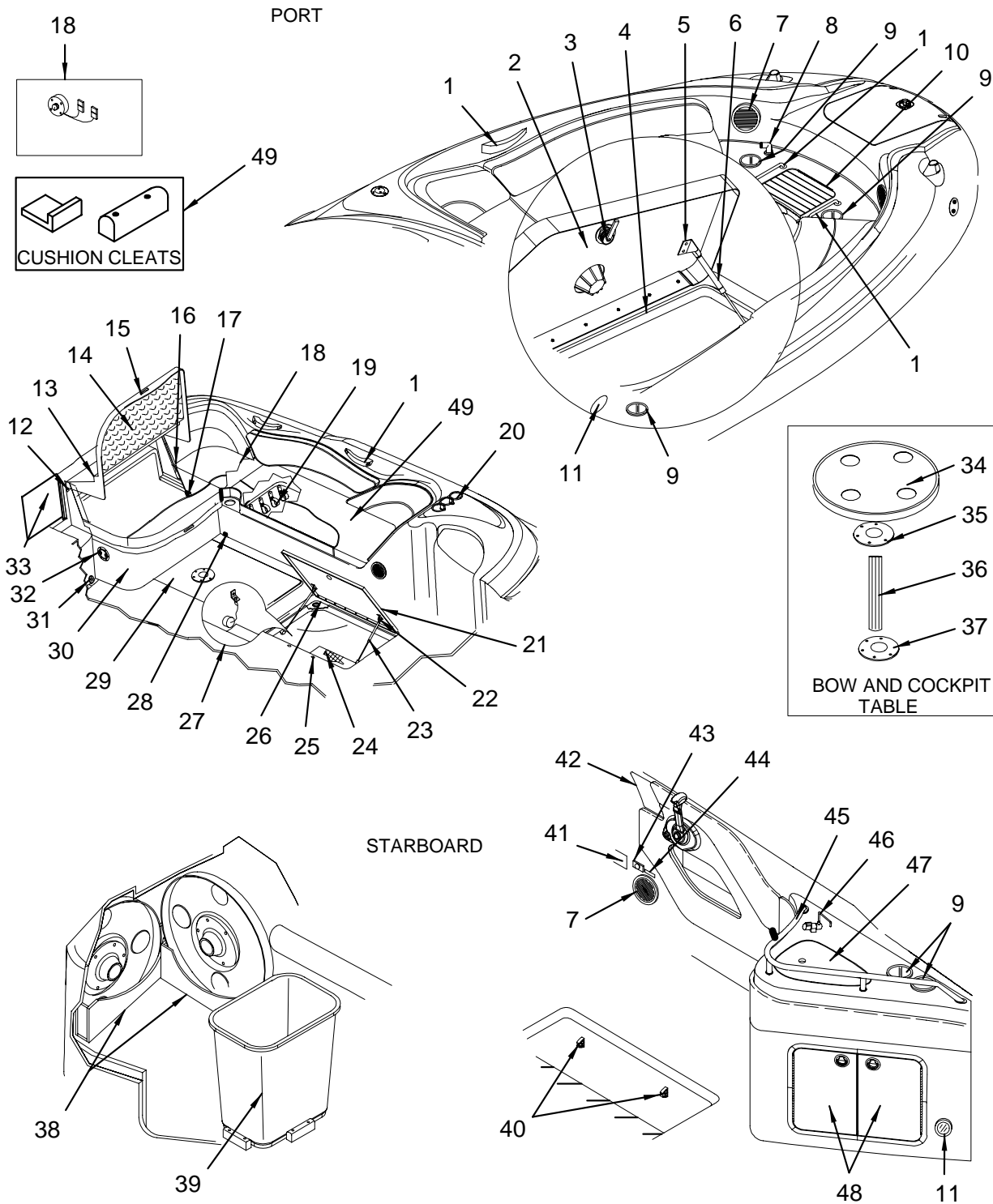
COCKPIT COVER

	1778230	CANVAS, 240SD-05 CPC N/SNPS CAP NVY
	1778234	CANVAS, 240SD-05 CPC W/SNPS CAP NVY
	148429	POLE, TONNEAU COVER SUPPORT ADJ (TONNEAU COVER POLE SUPPORT USED ONLY ON 240SD CPC)

STORAGE BAG

	1092162	CANVAS, STRG BAG 12X38 CLOUDBRST TONNEAU/CKPT
	819524	CANVAS, STRG BAG 19.5X54 GREY 95

COCKPIT



COCKPIT

1	1780393	RAIL, GRAB 8.5" 316L SS W/GASKET
	1794992	RAIL, GRAB 8.5" 316L SS W/SHORT 7/8" STUDS
2	1780756	240SD 05,HATCH,BOW STRG FBRGLS
	1334929	FLOORING, PVC MAT 240SD-00 BOW HATCH STRG WHT
	1628858	BUMPER, WHITE ROUND W/#6 TRUSS HEAD
3	1781446	LATCH, COMPRESSION 2.5"N/LOCKING SS (ORDER LATCH, PLATE AND CATCH FOR COMPLETE LATCH)
	1781448	PLATE, SHALLOW BRKT 2.5"W/HDWR PKG SS
4	1110543	HINGE, SS CONT 2"X 24"
5	1107507	BRACKET, GAS CYL 105DEG W/10MM BALL
6	817643	CYLINDER, GAS 40PSI 17.2"EXT X 10.2"COMP (HULL#3058->UP)
	1258219	CYLINDER, GAS 40PSI 10"EXT X 7"COMP (HULL#3001->3057)
	770479	BRACKET, SS GAS CYL 90DEG 1" W/STUD
7	1690557	SPEAKER, COAXIAL 6.5" N/CVR
	1690558	GRILL, SPEAKER 6.5" ACOM WHT
8	1775029	SHOWER, SPRAY BLK NOZZLE W/8" VINYL HOSE (HULL#3031->UP)
	1597921	SHOWER, SPRAY NOZZLE W/8"SS HOSE HVY DUTY (HULL#3001->3030)
	1764405	SHOWER, BLK HANDLE FAUCET SPRAYER NOZZLE (HULL#3001->3030)
	1671254	SHOWER, HOSE 8" SS W/GASKETS (HULL#3001->3030)
	1388743	HOLDER, PLAS SPRAYER PRL (HULL#3001->3030)
	1524644	GASKET, THRU-HULL 1 29/32" OD
9	1779920	HOLDER, DRINK SS 4"X 3" MUG SZ W/RBR INSRT/ADH
	124347	HOSE, PVC CLEAR 3/8"
	417998	CLAMP, HOSE #04M 1/4"-5/8" SS MINI
10	1036573	COOLER, 20"X 11"X 10" FOAMED MOLDED
	1156520	LID, HDPE 190SDOB/210SD-99 COOLER W/HINGE PRL
	1233840	HINGE, 190SDOB/210SD-99 COOLER LID (1156520)
	501528	BUMPER, BLACK SQUARE BUMPER
11	1771019	LIGHT, NAV STERN FLUSH MT CKPT W/CONN
	1200369	BULB, REPL FOR #0137380/#0783670
12	775874	HINGE, SS CONT 2"X 36" POLISHED
13	1780765	240SD 05,MTRBX,CKPT FBRGLS
	1118314	CATCH, RBR SUNPAD HOLD-DOWN (HULL#3457->UP)
14	1341395	FOAM, P/C 240SD-00 CONV BILGE 2-PC
15	156166	PULL, DOOR/DRAWER PLAS WHT
16	813980	CYLINDER, GAS 80PSI 20"EXT X 12"COMP
17	634550	BRACKET, SS GAS CYL 90DEG L-BRKT W/BALL LONG
	634592	BRACKET, SS GAS CYL FLAT W/BALL STUD
18	1726840	SWITCH, BATTERY SEL W/O LOCK W/O DISC REV 1 (DUAL BATTERY SWITCH)
	1726841	SWITCH, BATTERY ON/OFF N/LCK N/DISC RV1 (ON/OFF BATTERY SWITCH/CE OPTION GROUP)
19	855809	ROPE, DOCKLINE STRAP WHT W/HDWR (SHORT STYLE)
20	1750874	HOLDER, DRINK SS 3-RING 3" (KING)
	1750873	HOLDER, DRINK SS 2-RING 3" (KING) (TWO BUCKET SEATS W/ SUN LOUNGER SEATING PKG)
21	1780758	240SD 05,HATCH,CKPT SKI STRG FBRGLS
	1333186	HINGE, SS CONT 2"X 30" 240SD-00 SKI STRG
	1781446	LATCH, COMPRESSION 2.5"N/LOCKING SS (ORDER LATCH, PLATE AND CATCH FOR COMPLETE LATCH)
	1781448	PLATE, SHALLOW BRKT 2.5"W/HDWR PKG SS
	1781449	CATCH, PAWL 2.5"STRAIGHT LONG SS
22	1107507	BRACKET, GAS CYL 105DEG W/10MM BALL
	770479	BRACKET, SS GAS CYL 90DEG 1" W/STUD
23	638106	CYLINDER, GAS 60PSI 20"EXT X 12"COMP (HULL#3103->UP)
	826305	CYLINDER, GAS 40PSI 20"EXT X 12"COMP (HULL#3001->3102)
24	1334952	FLOORING, PVC MAT 240SD-00 SKI STRG WHT
25	1628858	BUMPER, WHITE ROUND W/#6 TRUSS HEAD
26	266130	DRAIN, LINER W/90 DEG ELBOW 1" PLASTIC
27	156224	PLUG, DRAIN PLUG SNAPTITE 7/8"
	418632	LANYARD, W/TAB/RING
28	1098417	THRU-HULL, PLAS 1 1/8" PRL
	1524644	GASKET, THRU-HULL 1 29/32" OD
29	1780757	240SD 05,HATCH,CKPT FUEL TANK
30	1780764	240SD 05,MTRBX,CKPT FBRGLS
	1156355	TRIM, EDGE PEARL MOTOR BOX SMALL (HULL#3474->3480)
31	1392794	THRU-HULL, PLAS 1 1/8" TUBE X 90DEG PRL
32	1155993	ACCESS PLATE, POLYPROP W/O-RING 4" PEARL
33	1778645	DOOR, PLEX 240SD-05 TRNSM W/HNGE PRL W/OMNI
	1754046	SHIM, HDPE 7/16"X 1.25"X 1/4" PRL
34	1148519	TABLE, T/F CKPT ROUND PRL 99

34	1768943	PVC BOARD, 1/2"X 4"X 8" SR PRL INTEFOAM
35	876979	BASE, LEG/POST SURF MT ALUM
36	929836	POST, TABLE LEG 24.875" ANOD FLUTED
37	876961	BASE, LEG/POST FLUSH MT ALUM
38	1780683	240SD 05,BOX,TBL STRG CKPT ENT CTR
39	431098	BASKET, TRASH 11 3/8"X 8.25"X 12 1/8" BEIGE
	1396308	BLOCK, HDPE 190SD-00 TRSH CAN XL HOOK PRL
40	590646	CLIP, POLE STRG BLK - MAST LIGHT
41	819367	PLATE, NMMA 95-240SD
	935155	PLATE, CE OPT C:240SD/12PERSON/950KG (CE OPTION GROUP)
42	1745122	LABEL, DANGER/WARNING COMBO CNTRL STA
43	1287283	RECEPTACLE, FEMALE 12V LONG THRD BLK
	1259977	PLATE, FEMALE 12V RECEPTACLE MNT
44	1744738	LABEL, RECEPTACLE 12V-15A MAX (LEXAN)
45	1747840	RAIL, GRAB 240SD CKPT ENT CTR 316L
46	1775010	FAUCET, FOLD DOWN SGL TAP CHR
47	1778339	COVER, PLEX 240SD-05 CKPT SINK PRL
	1779333	DRAIN, FLAT HEAD 5/8" LEFT
	1780445	DRAIN ASSY, STOPPER #4203 LONG BLK
48	1778342	DOOR, PLEX 240SD-05 CKPT ENT STRG W/SS STHCO
	1781434	LATCH, FLUSH MNT N/LOCKING SLAM SS
49	609883	CLEAT, PLAS 3/4"X 1"X 4" GREY
	1291160	CLEAT, HDPE 3/4"X 1"X 4" PRL

LABELS

1744745	LABEL, DISPOSAL OF GARBAGE
1744762	LABEL, WARNING PYHY FIRE EXT PRT (LEXAN)
1745513	LABEL, WARNING LEAKING FUEL (LOCATED UNDER MOTORBOX)
1745514	LABEL, PREVENT DISCHARGE OF POLLUTANTS (C E OPTION GROUP)
1745515	LABEL, WARNING DO NOT STAND/WALK THIS AREA (NOTE: LOCATED EACH FILLER BOARD)
1745520	LABEL, DANGER CO FUMES W/CANVAS (HULL#3018->3145)
1747493	LABEL, LEAVING WINDOW OPEN EXHAUST FUMES
1747505	LABEL, INFO REPL PROD/BROCH/DLRLOC/ETC
819367	PLATE, NMMA 95-240SD
935155	PLATE, CE OPT C:240SD/12PERSON/950KG (C E OPTION GROUP)

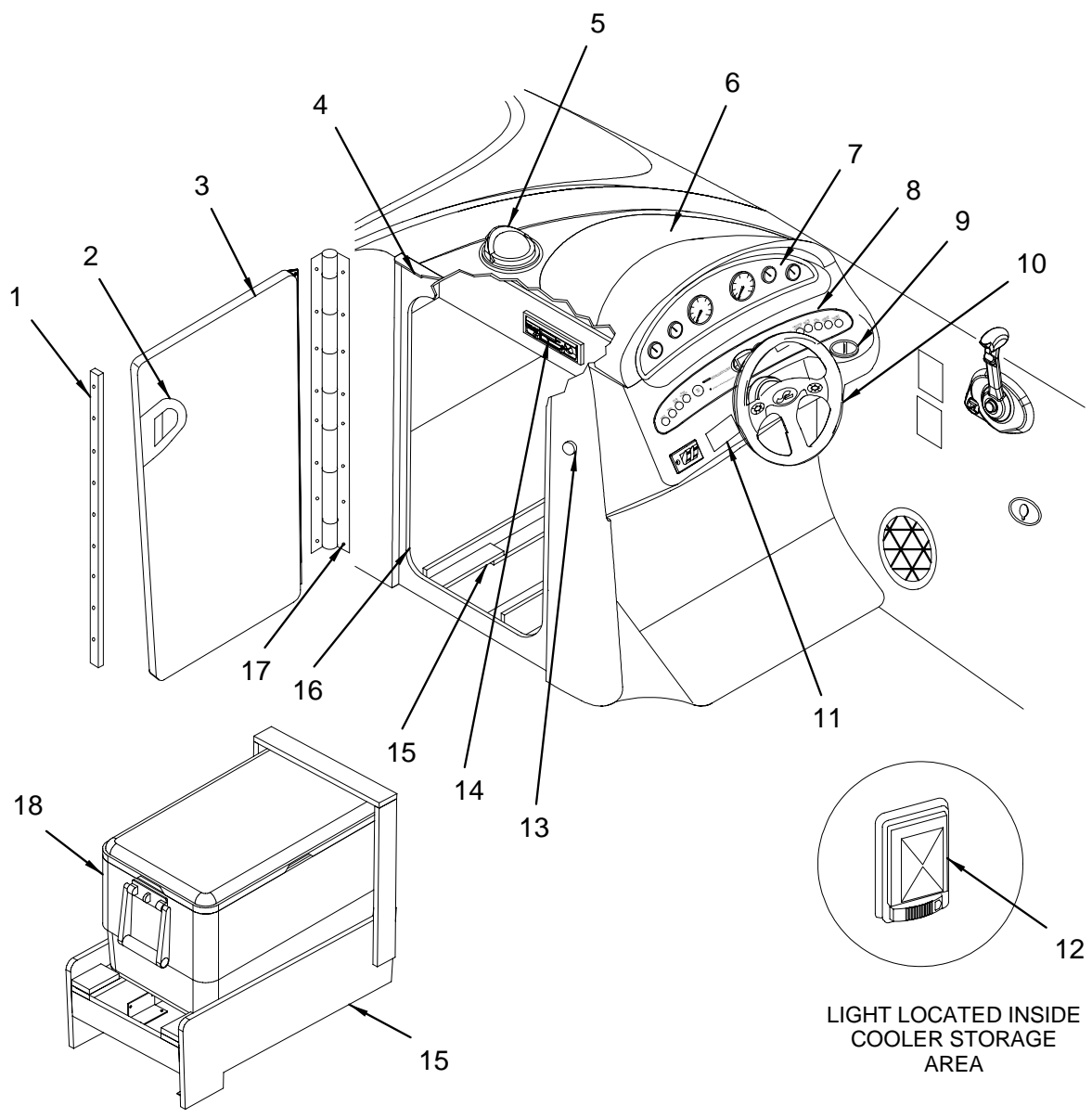
STEREO

1782017	STEREO, AMP CLARION APX480M (PREMIER STEREO UPGRADE W/ AMP & SUBWOOFER)
1773440	SPEAKER, 10" SUBWOOFER ACOM N/CVR (PREMIER STEREO UPGRADE W/ AMP & SUBWOOFER)
1773445	GRILL, SPEAKER SUBWOOFER 10" ACOM WHT (HULL#3105->UP) (PREMIER STEREO UPGRADE W/ AMP & SUBWOOFER)
1773444	GRILL, SPEAKER SUBWOOFER 10" ACOM BLK (HULL#3013->3104) (PREMIER STEREO UPGRADE W/ AMP & SUBWOOFER)
1777917	HARNESS, 220/240SD-05 STEREO AMP (HULL#3042->UP) (PREMIER STEREO UPGRADE W/ AMP & SUBWOOFER)
1736988	HARNESS, 220/240SD-03 STEREO AMP (HULL#3001->3041) (PREMIER STEREO UPGRADE W/ AMP & SUBWOOFER)
1750880	CABLE, RCA AUDIO 6' W/EFX-2 CONN W/NOISE SUPP (PREMIER STEREO UPGRADE W/ AMP & SUBWOOFER)

NOT SHOWN

1156348	TRIM, EDGE PEARL MOTOR BOX LARGE
1184472	TRIM, EDGE PEARL LEATHER 1"X 5/16"
1269430	SNAP CAP, PLAS ANTIQUE WHT
129189	ANGLE, ALUM 1/8"X 1.5"X 1.5"X 16"
137349	ACCESS PLATE, PLAS CVR 5" WHT
156893	WEBBING, POLYPROPYLENE 1" BLACK
1690896	PLATE, ALUM 1/4"X 2"X 9.75" W/2" TAPPED HOLES
1772425	TRIM, EDGE PEARL SMALL 5/16" OPENING
663708	BUMPER, CLEAR .020" THICK
1754071	PLATE, MOBELLA SHIM CHR/BRS
1785546	WASHER, 5/16"X 1.25" FDWSS

COCKPIT (HELM)



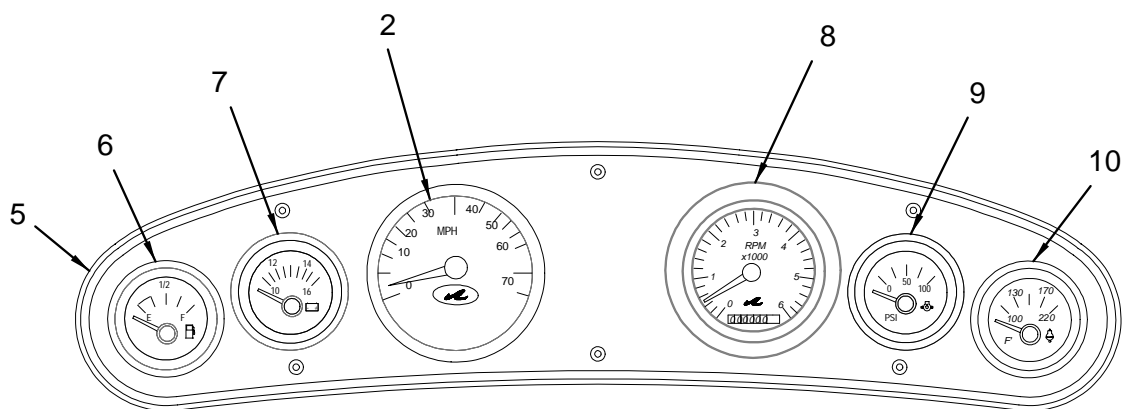
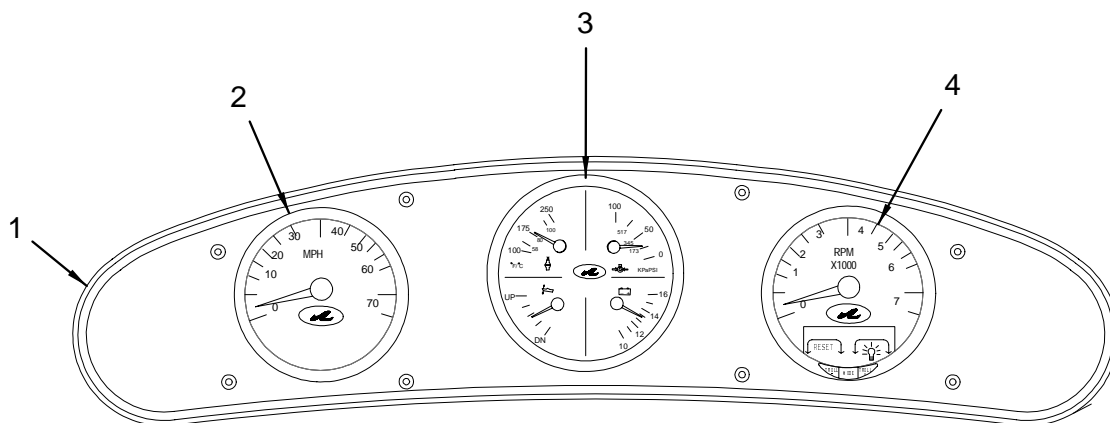
COCKPIT (HELM)

- 1 1778647 STOP, PLEX DOOR WALK THRU PRL
- 1754046 SHIM, HDPE 7/16"X 1.25"X 1/4" PRL
- 2 1611490 LATCH, #7756 OMNI FLAT 1/2" N/ LCK
- 1612357 PLATE, STRIKER MOBELLA OMNI 3/4" & 1/2" BRS
- 3 1753958 DOOR, PLEX 240SD-04 STRG WALK-THRU PRL
- 4 1165257 TRIM, PLAS ANGLE 15/16"X 15/16" TAPERED PRL
- 5 1791006 COMPASS, FLSHMT 3 7/8" BLK WT HSE/BLU LT W/CON
(HULL#3384->UP)
- 1771021 COMPASS, FLSHMT 3 7/8" BLK HSE/BLUE LT W/CONN
(HULL#3001->3383)
- 1780993 BULB, COMPASS REPL (1617638)
- 6 1778639 VISOR, DASH 240SD-05 NCKL
- 7 1775599 PANEL, BLANK:240/270SD-05 INST METCHRY
(HULL#3004->UP)
- 1752433 PANEL, BLANK:225WE/240SD/270SD-04 INST STD
(HULL#3001->3003)
- 8 1778431 PANEL, 240SD-05 SW METCHRY
- 9 1779920 HOLDER, DRINK SS 4"X 3" MUG SZ W/RBR INSRT/ADH
- 124347 HOSE, PVC CLEAR 3/8"
- 417998 CLAMP, HOSE #04M 1/4"-5/8" SS MINI
- 10 1756516 STEERING WHEEL, SPBT-04 BLK/BLK W/METCHPAD
- 1549666 EMBLEM, S/R WAVE OVAL URET CHR 1.125"X 2.375"
- 11 1745520 LABEL, DANGER CO FUMES W/CANVAS
(HULL#3018->3145)
- 12 1771063 LIGHT, SGL DOME FLUSH MT WHT W/SWITCH W/CONN
- 604801 BULB, DOME LIGHT 12V
- 13 274373 BUMPER, CANOE CLIP MED WHT
- 14 1751777 STEREO, AM/FM CD PLAYER W/CHNGR CNTRL SIR SAT
- 1780682 240SD 05,BOX,STEREO/ELECT CKPT HELM
- 1755469 STEREO, REMOTE CNTRL W/DIG DSPLY FOR XMD3 BLK
- 1690557 SPEAKER, COAXIAL 6.5" N/CVR
- 1690558 GRILL, SPEAKER 6.5" ACOM WHT
- 875484 ANTENNA LEAD, STEREO SOFT WIRE 30"
(HULL#3001->3118)
- 1581560 ANTENNA, AMPLIFIED 13398
- 1733835 STEREO, CD CHANGER 6-DISC DCZ625 C-NET
(CD CHANGER, 6 DISC)
- 1757933 ANTENNA, SHAKESPEARE SATELLITE RADIO ANTENNA
(SIRIUS SATELLITE RADIO)
(CD CHANGER, 6 DISC)
- 1768304 STEREO, SIRIUS SATELLITE RCVR SIRCL1-1YR
(SIRIUS SATELLITE RADIO)
(CD CHANGER, 6 DISC)
- 1766115 PACKET, SIRIUS WELCOME KIT
(SIRIUS SATELLITE RADIO)
(CD CHANGER, 6 DISC)
- 15 1780786 240SD 05,SUPPORT,COOLER RACK
- 16 810572 TRIM-SEAL, 3/8" W/3/8"BULB LOC-A
- 17 1772288 HINGE, DOOR 240SD-04 STRG WLK-THRU
- 18 814012 COOLER, 36QT

NOT SHOWN

- 1303650 FUSE BLOCK, 10-GNG BLADE-TYPE ACCY 240DA-00
(HULL#3003->3561)
- 1501782 HOSE, CONDUIT/SPLIT 1/2" FLAME RETARDANT
- 1501832 HOSE, CONDUIT/SPLIT 3/8" FLAME RETARDANT
- 1507243 HARNESS, MERC DATA S-CRFT 1000-2RSL-20'
- 1617281 BRACKET, BLSTR CKPT ANGLED 1/4" STND-OFF SS
- 1756151 BRACKET, BLSTR CKPT 3/4"X2"X1/16" STND-OFF SS
- 1762413 HARNESS, ENG MERC S-CRFT SC100 LINK EXT 12"
(HULL#3001->3558)
- 1771022 ACC PART, MERC ALARM BUZZER W/HARNESS W/CONN
- 1774618 HARNESS, MOTOR AM WIPER 6" PIGTAIL W/CONN
- 263954 CLAMP, HOSE #10 1/2"-1 1/8" SS .505
- 266023 FUSE, BLADE TYPE ATO 20A
- 417675 CLAMP, HOSE #20 3/4"-1.75" SS .505

INSTRUMENT PANEL



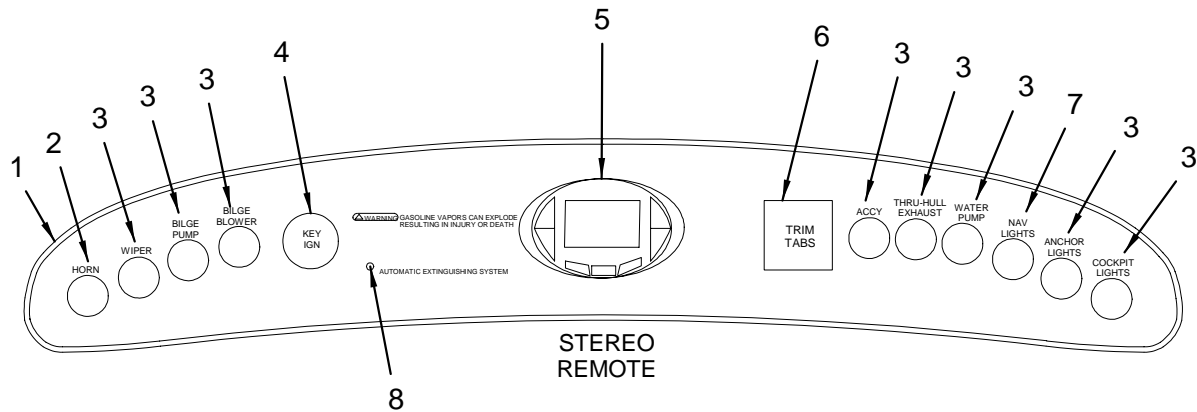
INSTRUMENT PANEL

- 1 1775599 PANEL, BLANK:240/270SD-05 INST METCHRY
(HULL#3004->UP)
- 2 1689917 GAUGE, LINK SPEED 3" S-CRFT 0-70MPH
(HULL#3004->UP)
- 1690381 NUT, LOCK 85MM SPIN LOCK VDO
(HULL#3004->UP)
- 1727800 PITOT, S-CRFT SPEEDO KIT SML BLOCK
(HULL#3004->UP)
- 3 1768244 GAUGE, 5" 4-IN-1 FUEL/OIL/TMP/TRIM S-CRFT
(HULL#3004->UP)
- 4 1777617 GAUGE, SYS TACH 3" S-CRFT 0-7000RPM RV2
(HULL#3004->UP)
- 5 1752433 PANEL, BLANK:225WE/240SD/270SD-04 INST STD
(HULL#3001->3003)
- 6 1689853 GAUGE, FUEL LEVEL S-CRFT 2"
(HULL#3001->3003)
- 1690380 NUT, LOCK 52MM SPIN LOCK VDO
(HULL#3001->3003)
- 7 1690031 GAUGE, ENG TRIM S-CRFT 2"
(HULL#3001->3003)
- 1690380 NUT, LOCK 52MM SPIN LOCK VDO
(HULL#3001->3003)
- 8 1754755 GAUGE, SYS TACH 3" S-CRFT 0-7000RPM RV1
(HULL#3001->3003)
- 1690381 NUT, LOCK 85MM SPIN LOCK VDO
(HULL#3001->3003)
- 9 1689852 GAUGE, OIL PRESS 100 PSI S-CRFT 2"
(HULL#3001->3003)
- 1690380 NUT, LOCK 52MM SPIN LOCK VDO
(HULL#3001->3003)
- 10 1689851 GAUGE, TEMP 250F S-CRFT 2"
(HULL#3001->3003)
- 1690380 NUT, LOCK 52MM SPIN LOCK VDO
(HULL#3001->3003)

NOT SHOWN

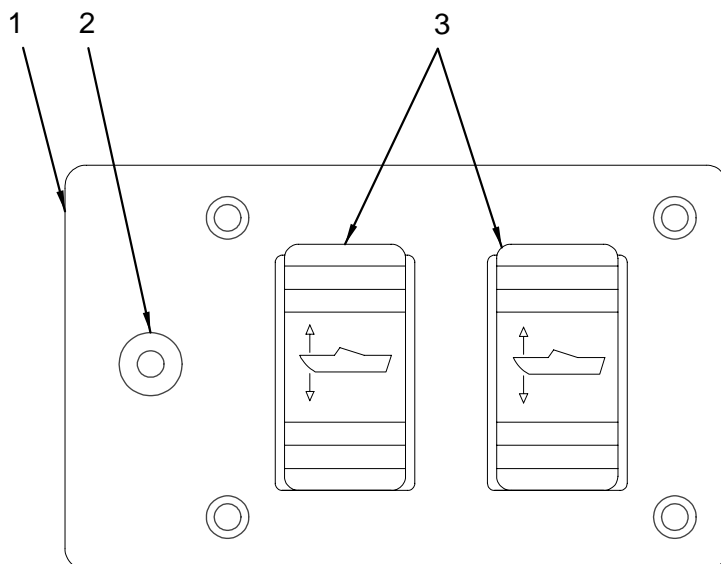
- 1507243 HARNESS, MERC DATA S-CRFT 1000-2RSL-20'
- 1777915 HARNESS, 240SD-05 WIRE W/S-CRFT W/CONN
(HULL#3003->3718)

SWITCH PANEL



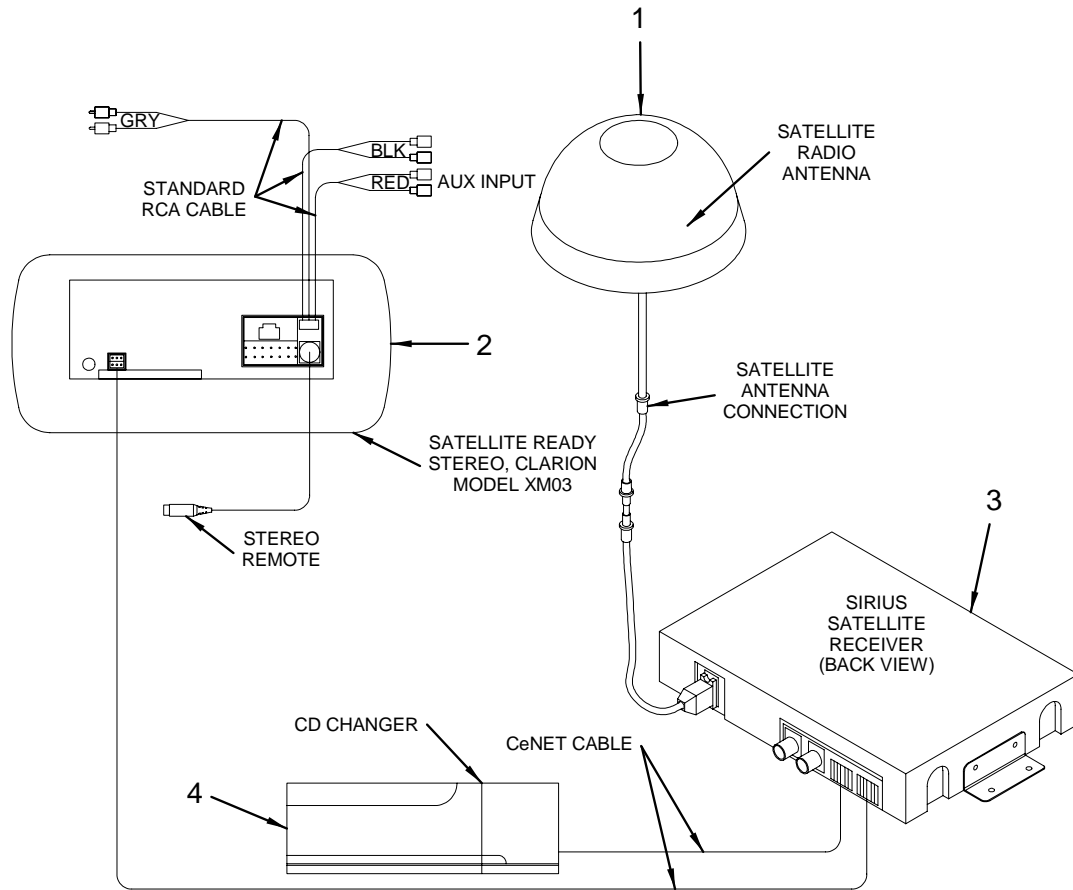
SWITCH PANEL

- 1 1778431 PANEL, 240SD-05 SW METCHRY
- 1775600 PANEL, BLANK:240/270SD-05 SW METCHRY
- 2 762955 SWITCH, HORN
- 137802 PLUG, HOLE 1/2" BLK
- 3 1757312 SWITCH, TOGGLE CHR W/BLU IND SPST
- 137802 PLUG, HOLE 1/2" BLK
- 4 1409366 SWITCH, IGN STARTER
- 1403161 KEY, IGN W/RUBBER SR GRIP "J"
- 1403179 KEY, IGN W/RUBBER SR GRIP "K"
- 1403187 KEY, IGN W/RUBBER SR GRIP "L"
- 1403195 KEY, IGN W/RUBBER SR GRIP "M"
- 1403203 KEY, IGN W/RUBBER SR GRIP "P"
- 1403211 KEY, IGN W/RUBBER SR GRIP "S"
- 1403229 KEY, IGN W/RUBBER SR GRIP "R"
- 1403237 KEY, IGN W/RUBBER SR GRIP "N"
- 1449818 KEY, IGN W/RUBBER SR GRIP "BLANK"
- 5 1755469 STEREO, REMOTE CNTRL W/DIG DSPLY FOR XMD3 BLK
- 6 709501 ACTUATOR, ROCK VERT BLK W/O LENS TRIM TABS
- 709493 BODY, ROCK SW DPDT (MOM) CEN-OFF W/O LAMP
- 7 1761354 SWITCH, TOGGLE CHR W/BLU IND DPST
- 1737371 WASHER, LOCK INT TOOTH NCKL PLATED
- 1787018 NUT, NICKEL FOR TOGGLE SWITCH
- 137802 PLUG, HOLE 1/2" BLK
- 8 1706223 PLUG, HOLE 5/16 DOME
- 1798060 LIGHT, INDICATOR GREEN 12V
(HALON FIRE SUPPRESSION SYSTEM - AUTOMATIC)

POWER TRIM AND TRIM TAB SWITCH PANEL**POWER TRIM AND TRIM TAB SWITCH PANEL**

- 1 1150887 PANEL, 260DA-99 SWITCH TRIM TABS
(HULL#3001->3023)
- 2 775759 BRKR, P/BTN-MANUAL RESET 20A W/SCREW TER
(HULL#3001->3023)
- 3 709501 ACTUATOR, ROCK VERT BLK W/O LENS TRIM TABS
(HULL#3001->3023)
- 709493 BODY, ROCK SW DPDT (MOM) CEN-OFF W/O LAMP
(HULL#3001->3023)

SATELLITE STEREO SYSTEM

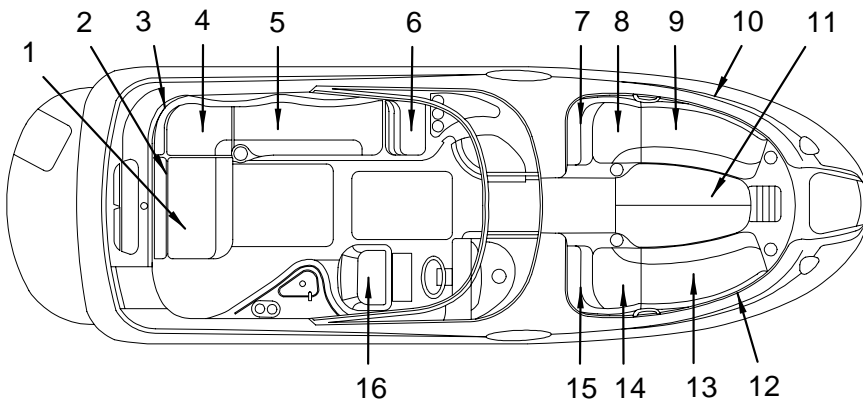


SATELLITE STEREO SYSTEM

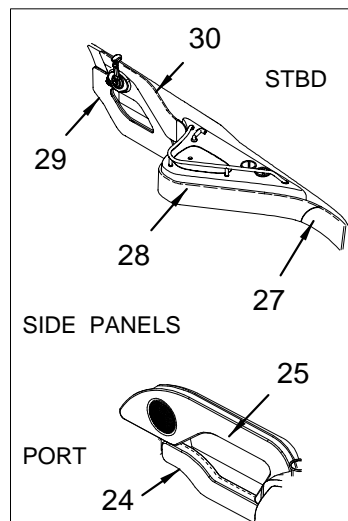
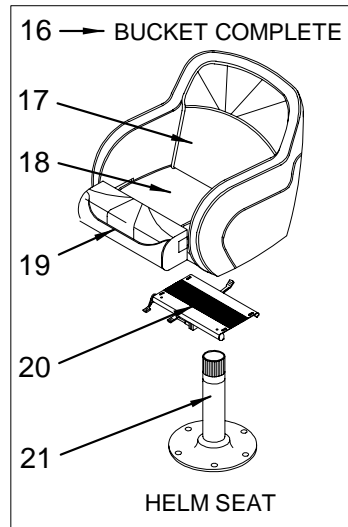
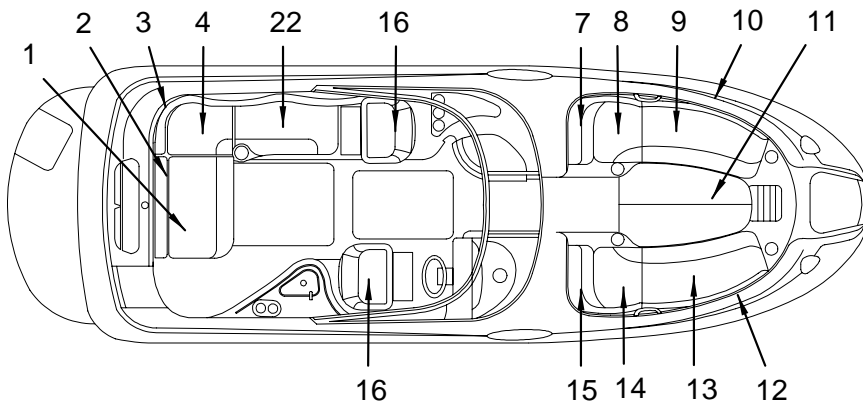
- 1 1757933 ANTENNA, SHAKESPEARE SATELLITE RADIO ANTENNA
- 2 1751777 STEREO, AM/FM CD PLAYER W/CHNGR CNTRL SIR SAT
- 3 1768304 STEREO, SIRIUS SATELLITE RCVR SIRCL1-1YR
- 4 1733835 STEREO, CD CHANGER 6-DISC DCZ625 C-NET
- 1122357 STEREO, CD (6 DISC) MAGAZINE CLARION

COCKPIT (UPHOLSTERY)

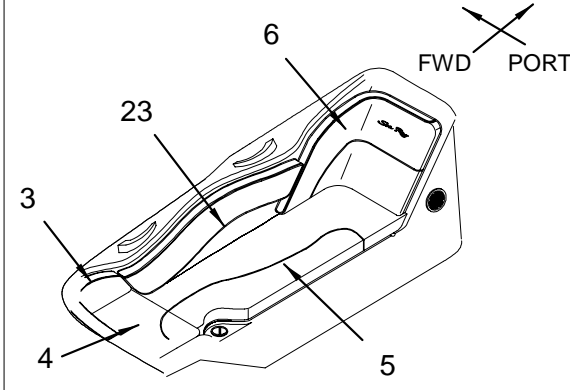
STARBOARD BUCKET/PORT L SHAPE LOUNGER



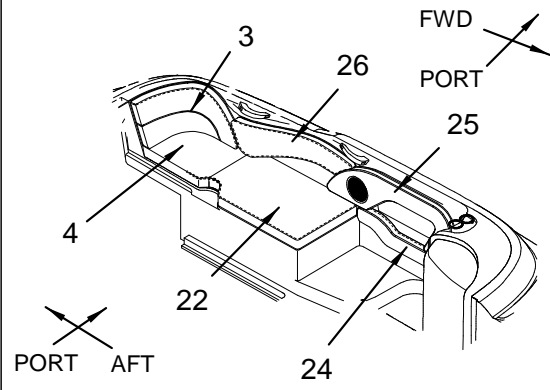
TWO BUCKETS/PORT L SHAPE LOUNGER



STBD BUCKET W/PORT L SHAPED LOUNGER



TWO BUCKETS W/PORT L SHAPED LOUNGER



COCKPIT (UPHOLSTERY)

1	1780745	240SD 05,CUSH,AFT BENCH MTRBX
	1780688	240SD 05,CUSH SKN,AFT BENCH MTRBX
2	1780655	240SD 05,BLSTR,AFT BENCH MTRBX
	1780646	240SD 05,BLSTR SKN,AFT BENCH MTRBX
3	1780661	240SD 05,BLSTR,PRT CKPT LNG AFT
	1780650	240SD 05,BLSTR SKN,PRT CKPT LNG AFT
4	1780752	240SD 05,CUSH,PRT CKPT LNG AFT
	1780696	240SD 05,CUSH SKN,PRT CKPT LNG AFT
	609883	CLEAT, PLAS 3/4"X 1"X 4" GREY
5	1780748	240SD 05,CUSH,CKPT PRT LNG FWD
	1780692	240SD 05,CUSH SKN,CKPT PRT LNG FWD
	609883	CLEAT, PLAS 3/4"X 1"X 4" GREY
	1291160	CLEAT, HDPE 3/4"X 1"X 4" PRL
6	1780662	240SD 05,BLSTR,PRT CKPT LNG FWD
	1780651	240SD 05,BLSTR SKN,PRT CKPT LNG FWD
7	1780658	240SD 05,BLSTR,PRT BOW AFT
	1780648	240SD 05,BLSTR SKN,PRT BOW AFT
8	1780750	240SD 05,CUSH,PRT BOW AFT
	1780694	240SD 05,CUSH SKN,PRT BOW AFT
9	1780751	240SD 05,CUSH,PRT BOW FWD
	1780695	240SD 05,CUSH SKN,PRT BOW FWD
	609883	CLEAT, PLAS 3/4"X 1"X 4" GREY
10	1780660	240SD 05,BLSTR,PRT BOW FWD
	1780649	240SD 05,BLSTR SKN,PRT BOW FWD
11	1780746	240SD 05,CUSH,BOW SNPD FILR
	1780690	(BOW FILLER CUSH (S)) 240SD 05,CUSH SKN,BOW SNPD FILR
	1780783	(BOW FILLER CUSH (S)) 240SD 05,SUPPORT,BOW FILR BOARD SET
	1780781	(BOW FILLER CUSH (S)) 240SD 05,SUPPORT,BOW FILR BOARD FWD
	1780782	(BOW FILLER CUSH (S)) 240SD 05,SUPPORT,BOW FILR BOARD MID
	1780780	(BOW FILLER CUSH (S)) 240SD 05,SUPPORT,BOW FILR BOARD AFT
	1745515	(BOW FILLER CUSH (S)) LABEL, WARNING DO NOT STAND/WALK THIS AREA
	1355536	(BOW FILLER CUSH (S)) FOAM, P/C 240SD-00 BOW FILLER 2-PC SET
	1764584	(BOW FILLER CUSH (S)) BOARD, HDPE 1/2"X 4"X 8' PEARL
	180182	(BOW FILLER CUSH (S)) ZIPPER, #5 DELRIN CONTINUOUS WHT
	180406	(BOW FILLER CUSH (S)) SLIDE, DELRIN #5 WHT 1-S LOCK
12	1780681	240SD 05,BLSTR,STB BOW FWD
	1780654	240SD 05,BLSTR SKN,STB BOW FWD
13	1780755	240SD 05,CUSH,STB BOW FWD
	1780744	240SD 05,CUSH SKN,STB BOW FWD
	609883	CLEAT, PLAS 3/4"X 1"X 4" GREY
14	1780753	240SD 05,CUSH,STB BOW AFT
	1780713	240SD 05,CUSH SKN,STB BOW AFT
15	1780680	240SD 05,BLSTR,STB BOW AFT
	1780653	240SD 05,BLSTR SKN,STB BOW AFT
16	1780778	240SD 05,SEAT,BKT W/THRSE CMPLT
	1780689	240SD 05,CUSH SKN,BKT ST W/THRSE CMPLT
	1441195	SHELL, BKT SEAT SPBT/SPCR-01 W/THGHRS
	1474956	SLEEVE, BKT SEAT SPBT/SPCR-01 HIGH-RISE
	964890	BRACKET, H/S FOLDUP 2PC RV2
17	1780125	240SD 05,SEAT BACK,BKT W/THRSE
	1780126	240SD 05,SEAT BACK SKN,BKT W/THRSE
18	1780747	240SD 05,CUSH,BTM BKT ST W/THRSE
	1780691	240SD 05,CUSH SKN,BTM BKT ST W/THRSE
19	1780762	240SD 05,LEG ROLL,BKT SEAT
	1780761	240SD 05,LEG ROLL SKN,BKT SEAT
20	1754578	SLIDE ASSY, SEAT MILLENNIUM 10.5" M/H LONG HDL
	1762918	HANDLE, MILLENNIUM SEAT SLIDE LONG W/O GRIP
	1762920	CAP, RUBBER MILLENNIUM SLIDE HANDLE GRIP
	1762921	HANDLE, MILLENNIUM SLIDE C-T ADJUSTER
	1762922	PIN, ROLL MILLENNIUM SLIDE CAM LEVER
	1762923	SCREW, MILLENNIUM SLIDE SMALL CAM LEVER
	1762924	LEVER, MILLENNIUM SLIDE SMALL CAM
21	1154012	PEDESTAL, ALUM 7.75" RIBBED W/DELCUP
	1219955	SEAT SLIDE, INTERNAL DELRIN CUP FOR #1141183
22	1780749	240SD 05,CUSH,FWD LNG 2 BKT SEATING
	1780693	240SD 05,CUSH SKN,FWD LNG 2 BKT SEATING
23	1780679	240SD 05,BLSTR,PRT CKPT LNG SIDE
	1780652	240SD 05,BLSTR SKN,PRT CKPT LNG SIDE
24	1780776	240SD 05,PNL,PRT SIDE LWR 2 BKT SEATING
	1780770	240SD 05,PNL SKN,PRT SIDE LWR 2 BKT SEATING
25	1780777	240SD 05,PNL,PRT SIDE UPR 2 BKT SEATING

25	1780771	240SD 05,PNL SKN,PRT SIDE UPR 2 BKT SEATING
26	1780657	240SD 05,BLSTR,FWD LNG 2 BKT SEATING
	1780647	240SD 05,BLSTR SKN,FWD LNG 2 BKT SEATING
27	1780772	240SD 05,PNL,CKPT AFT SIDE STB
	1780766	240SD 05,PNL SKN,CKPT AFT SIDE STB
28	1780773	240SD 05,PNL,CKPT ENT CTR SIDE
	1780767	240SD 05,PNL SKN,CKPT ENT CTR SIDE
29	1780774	240SD 05,PNL,CKPT STB SIDE LWR
	1780768	240SD 05,PNL SKN,CKPT STB SIDE LWR
30	1780775	240SD 05,PNL,CKPT STB SIDE UPR
	1780769	240SD 05,PNL SKN,CKPT STB SIDE UPR

CARPET COCKPIT STORAGE

795286	CARPET, EXT 12 OZ CHAR #0326 LT NEEDLE PUNCH
--------	--

HEADLINER/HULL LINER/WASHABLE SURFACE

1747515	VINYL, RVIEW LT CAMEO N/W 1/4"FB
---------	----------------------------------

UPHOLSTERY MATERIALS

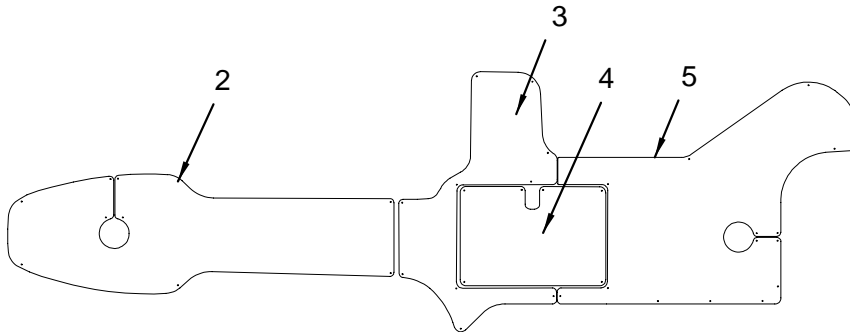
280099	THREAD, NYLON BONDED BLK
157495	TAB, PULL TAB MATERIAL 6"
1600287	THREAD, POLY-PEARL YACHT CONE GRAY
1616366	DACRON, 3/8"X 75LY
1687646	HIDEM, SEABROOK EBONY 5/8"
1777206	THREAD, POLYESTER TEX 90 WHT ANEFIL BONDED (HULL#3004->3418)
283069	VINYL FILM, PLAS 1MM X 5'X 830YD
773630	MESH, WHITE 54"
983452	MESH, BLACK 54"
1355502	FOAM, P/C 240SD-00 SIDE PANEL
1441260	FOAM, P/C BKT SEAT W/THGHRS-01
1736104	FOAM, P/C 240SD-03 BOW CUSH SET
1787875	FOAM, P/C 240SD-05 BOW BLSTR SET
1737700	FOAM, P/C 240SD-03 BOW CUSH W/PRT BKT (TWO BUCKET SEATS W/ SUN LOUNGER SEATING PKG)
1781287	FOAM, P/C 240SD-05 BOW BLSTR W/PRT BKT (TWO BUCKET SEATS W/ SUN LOUNGER SEATING PKG)
1150093	THREAD, POLYESTER BOBBIN WHT STYLE-L GROSS
155606	THREAD, BONDED THREAD WHT
1752705	HIDEM, GRANDE STINGER CREAM 5/8"

VINYL - WELT

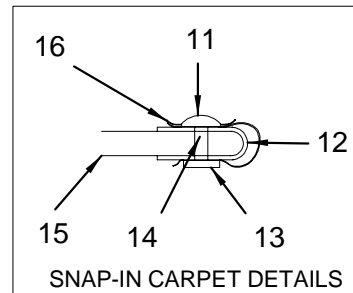
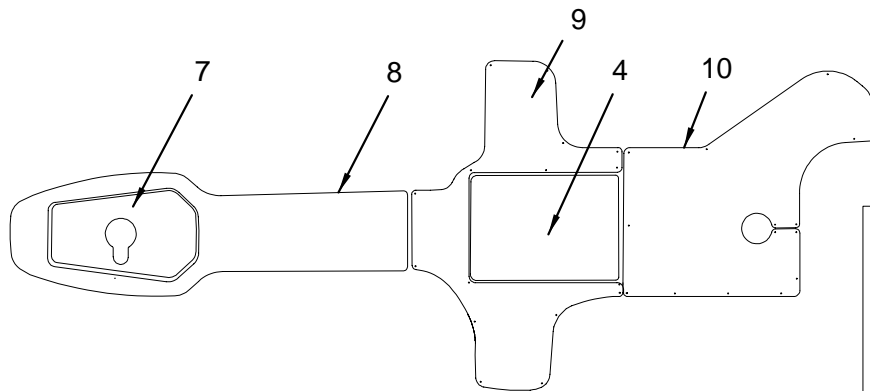
1752133	VINYL, MERRITT STINGER CREAM EXP FLAT
1752136	VINYL, MERRITT STINGER CREAM EXP 1/4"F/B
1778337	VINYL, NICKEL SR-4983A EXP FLAT
1778341	VINYL, NICKEL SR-4983A EXP 1/4" FB
1619626	VINYL, DADE PEWTER MIST EXP FLAT
1777824	WELT, WELT CORD SYNTHETIC 3/8" STIFF
581827	WELT, WELT CORD SYNTHETIC 5/32"X 1250'

COCKPIT (SNAP-IN CARPET LINER)

1 → COCKPIT CARPET COMPLETE W/STBD BKT PORT LOUNGER



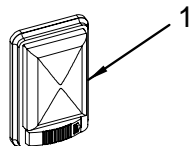
6 → COCKPIT CARPET COMPLETE W/TWO BKT SUN LOUNGER



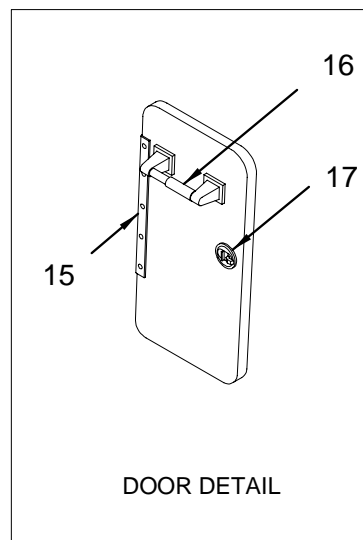
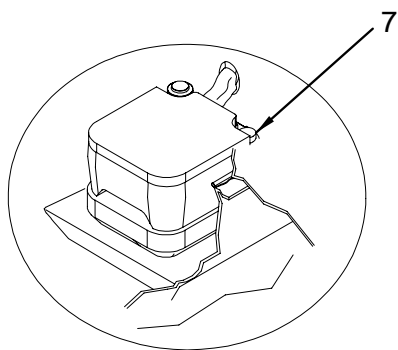
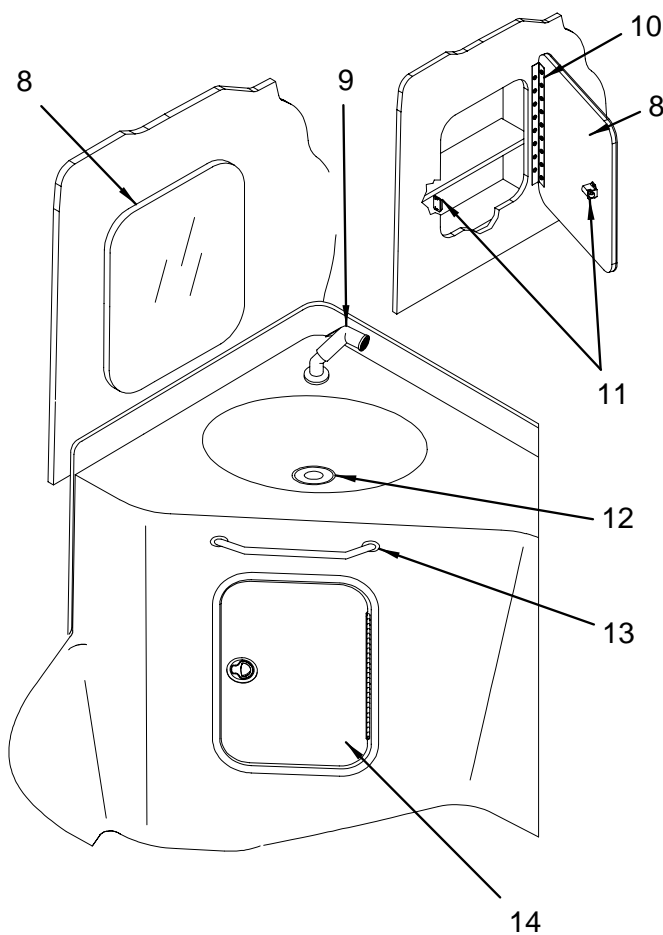
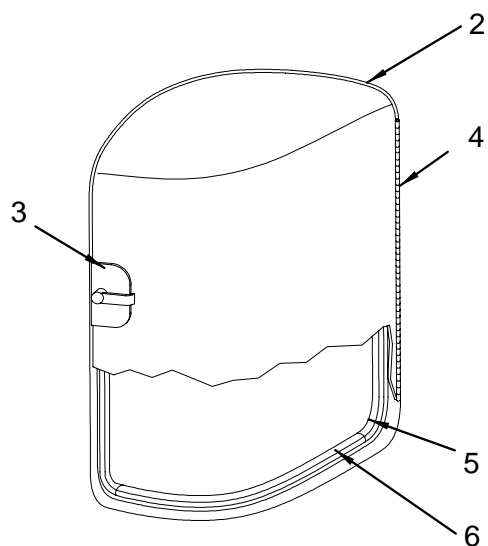
COCKPIT (SNAP-IN CARPET LINER)

- 1 1780127 240SD 05,CARPET,SNPN STB BKT/PRT LNGR CMPLT
- 2 1780686 240SD 05,CARPET,SNPN BOW W/TBL
- 3 1791311 240SD 05,CARPET,SNPN FWD CKPT/PRT LNGR
- 4 1780687 240SD 05,CARPET,SNPN SKI HATCH
- 5 1780684 240SD 05,CARPET,SNPN AFT CKPT
- 6 1780128 240SD 05,CARPET,SNPN TWO BKT/PRT LNGR CMPLT
- 7 1780789 240SD 05,CARPET,SNPN BOW HATCH
- 8 1780788 240SD 05,CARPET,SNPN BOW W/HATCH
- 9 1791312 240SD 05,CARPET,SNPN FWD CKPT 2BKT
- 10 1780685 240SD 05,CARPET,SNPN AFT CKPT 2BKT SEATING
- 11 154401 SNAP BUTTON, W/1/4" BARREL
- 12 839720 BINDING, CANVAS 1" LINEN BIAS SUNBRELLA
- 13 154393 SNAP SOCKET, MED ACTION
- 14 154377 SNAP STUD, W/#8 X 5/8" PH SS
- 15 1609916 CARPET, EXT 28 OZ DUNE PEBBLE #902 RL 7"W
- 16 1790664 SNAP REINFORCEMENT, PLAS BACKER 500 PC/ROLL

HEAD



LIGHT LOCATED ON CEILING



HEAD

- 1 1771063 LIGHT, SGL DOME FLUSH MT WHT W/SWITCH W/CONN
- 604801 BULB, DOME LIGHT 12V
- 633719 LENS, SGL DOME REPL FOR #0596072
- 2 1321157 DOOR, RTM 240/270SD-00 HEAD PRL
- 1751057 LABEL, WARNING CABIN DOOR
- 3 1717317 LATCH, OFFSHR MORTISE RH-OUT PRVKNB CHR
- 1784623 PLATE, STRIKER OFFSHR MORTISE (FOR 1717317)
- 4 1062348 HINGE, SS CNT 1.5"X 30"
- 5 810572 TRIM-SEAL, 3/8" W/3/8"BULB LOC-A
- 6 1156355 TRIM, EDGE PEARL MOTOR BOX SMALL
(HULL#3474->3480)
- 7 130716 HEAD, PORTABLE SANI POTTI PARCHMENT 2.8GAL
- 1783917 SEAT ASSY, CVR/SEAT/HNG PIN PRCHMNT
- 8 1780763 240SD 05.MIR ASSY,HEAD
- 946079 MIRROR, 1/8"X 13 9/16"X 15 5/8" 1.5"RAD CRNRS
- 865998 T-MOLD, VINYL INSERT 7/8" ALMOND
- 1579499 TAPE, DBL-SIDE ADHESIVE 1" X 60YD
- 9 1689704 SHOWER, SPRAY NOZZLE ANGLE BASE W/6"SS HOSE
(HULL#3006->UP) (SS HOSE NOT SOLD SEPARATELY)
- 1764405 SHOWER, BLK HANDLE FAUCET SPRAYER NOZZLE
(HULL#3006->UP)
- 1775010 FAUCET, FOLD DOWN SGL TAP CHR
(HULL#3001->3005)
- 10 224956 HINGE, AL CNT 1.25"X 72" SAT
- 11 1450188 CATCH, GRABBER LATCH W/10LB HOLD WHT
- 12 1779333 DRAIN, FLAT HEAD 5/8" LEFT
- 1780445 DRAIN ASSY, STOPPER #4203 LONG BLK
- 13 1747836 RAIL, GRAB 12" STREAMLINE W/FLANGES (316L)
- 14 1780547 DOOR, HDPE STRG W/18"X 12"PRL FRM W/SS STHCO
- 1781434 LATCH, FLUSH MNT N/LOCKING SLAM SS
- 1781436 PLATE, FLAT BRKT 2"SHORT SCREW W/HDWR PKG
- 1287309 SHIM, HDPE 1/4"X 1/2"X 1.75" PRL
- 15 1746222 HINGE, HEAD STRG DOOR (1392679)
- 16 146399 HOLDER, TOILET PAPER WALL MNT CHR ROLLER
- 17 1411453 LATCH, FLUSH MOUNT PULL SS (SLAM)

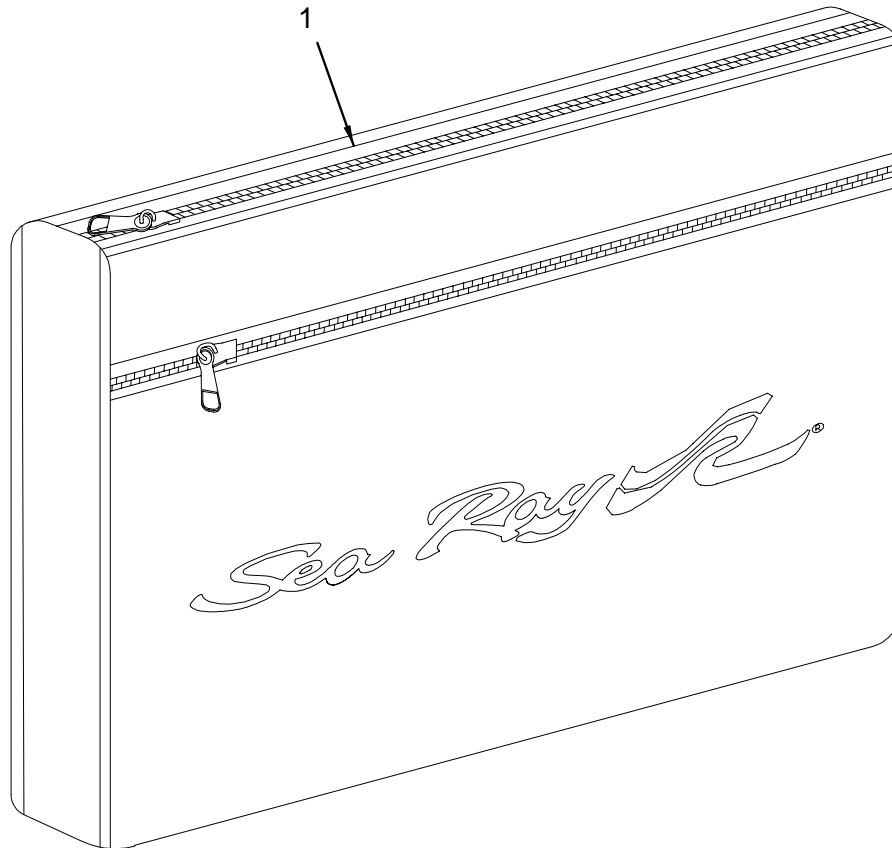
HEADLINER/HULL LINER/WASHABLE SURFACE

- 1140367 VINYL, RVIEW LT CAMEO N/W FLAT
- 1747515 VINYL, RVIEW LT CAMEO N/W 1/4"FB

NOT SHOWN

- 129189 ANGLE, ALUM 1/8"X 1.5"X 1.5"X 16'
- 1052851 SNAP CAP, PRESS-ON COVER #2 PHILLIP BEIGE
- 1355528 FOAM, P/C 240SD-00 PORT HEAD 2-PC SET
- 1501840 HOSE, CONDUIT/SPLIT 1" FLAME RETARDANT
- 595090 VELCRO, HOOK WHT 2" PRESSURE SENSITIVE

MULTI-INFO PACKET



MULTI-INFO PACKET

MULTI-INFO PACKET

1 1774199 PACKET, MULTI-INFO 240SD-05

OWNERS PACKET CONTENTS

- 1773958 MANUAL, OWNERS W/SUPPLMNT - 240SD-05 2-TAB
- 1774219 CARD, WARRANTY - SPRT BOAT 05
- 1751564 CARD, CANVAS CARE & CLEANING SEA RAY
- 1774948 CHECK LIST, IN SERVICE - SP BOATS 05
- 1507912 CARD, PASSPORT TO SAVINGS
- 1764423 BROCHURE, CARBON MONOXIDE AWARENESS
- 1766184 BROCHURE, WATERSKI SAFETY GUIDELINES
- 1507938 CARD, TALOR WINDSHIELD/GLASS CARE
- 1411404 ENVELOPE, DEALER INFORMATION
- 929828 CARD, BOATING GUIDE
- 1093988 PACKET, OWNERS 2-COMP LEGAL SIZE CANVAS BLK
- 833749 FUSE BOX, SPARE W/6 ATC BLADE STYLE
- 140061 PLUG, DRAIN PLUG SNAPTITE 1/2"
- 764316 DOCUMENT, CANVAS LTD WARRANTY
- 1789921 VIDEO, 05 OWNER ORIENTATION SPBOAT DVD
- 1751553 BOOKLET, COAST GUARD FEDERAL REQUIREMENT
- 1751550 CARD, CANVAS CARE & CLEANING MORBERN
- 1751555 BOOKLET, 3M MAINTENANCE INSTRUCTION
- 1751557 PACKET, 3M KIT
- 1510775 VIDEO, 01 CANVAS INSTALLATION SUNDECK

OWNERS PACKET CONTENTS (continued)

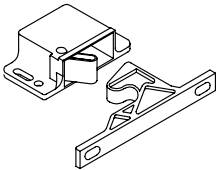
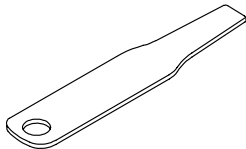

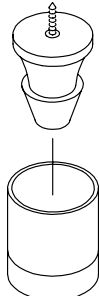
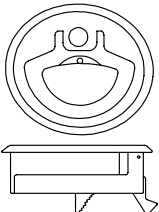
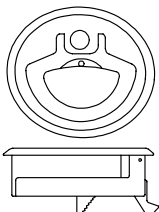
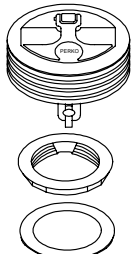
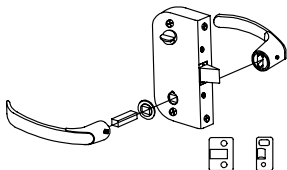
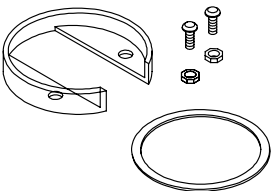
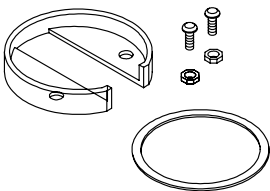
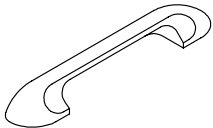
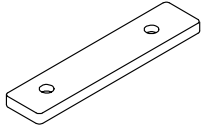
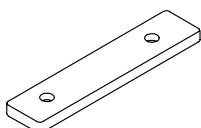
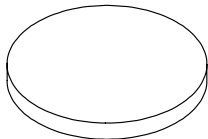
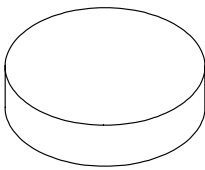
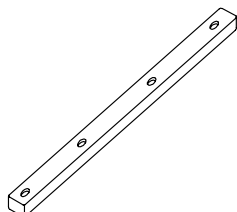
- 1751559 CARD, CANVAS CARE & CLEANING SUNBRELLA
- 1751562 CARD, WARRANTY SUNBRELLA LIMITED
- 1751563 BOOKLET, STA-BIL FUEL STABILIZER

OWNERS PACKET SUPPLIED BY PLANT

- 434191 CARD, NAVIGATIONAL INTERNATIONAL
- 618025 VINYL FILM, MINI GRIP BAG 5" X 8"
- 1682368 VINYL FILM, POLY BAG 34"X 50"X 2MIL CLEAR
- 1741218 LABEL, STICKER 240SD CANADIAN CONFORMITY (CANADIAN CONFORMITY STICKER)
- 1691479 MANUAL, OWNERS - SEA RAY INT'L 12-LANGUAGE (C E OPTION GROUP)
- 968339 VIDEO, 97 OWNER ORIENTATION SPBOAT PAL (HULL#3007->3048) (OWNER ORIENTATION VIDEO - PAL FORMAT)
- 1510544 VIDEO, 01 CANVAS INSTALLATION SUNDECK PAL (HULL#3007->3078) (OWNER ORIENTATION VIDEO - PAL FORMAT)

TELLICO HARDWARE

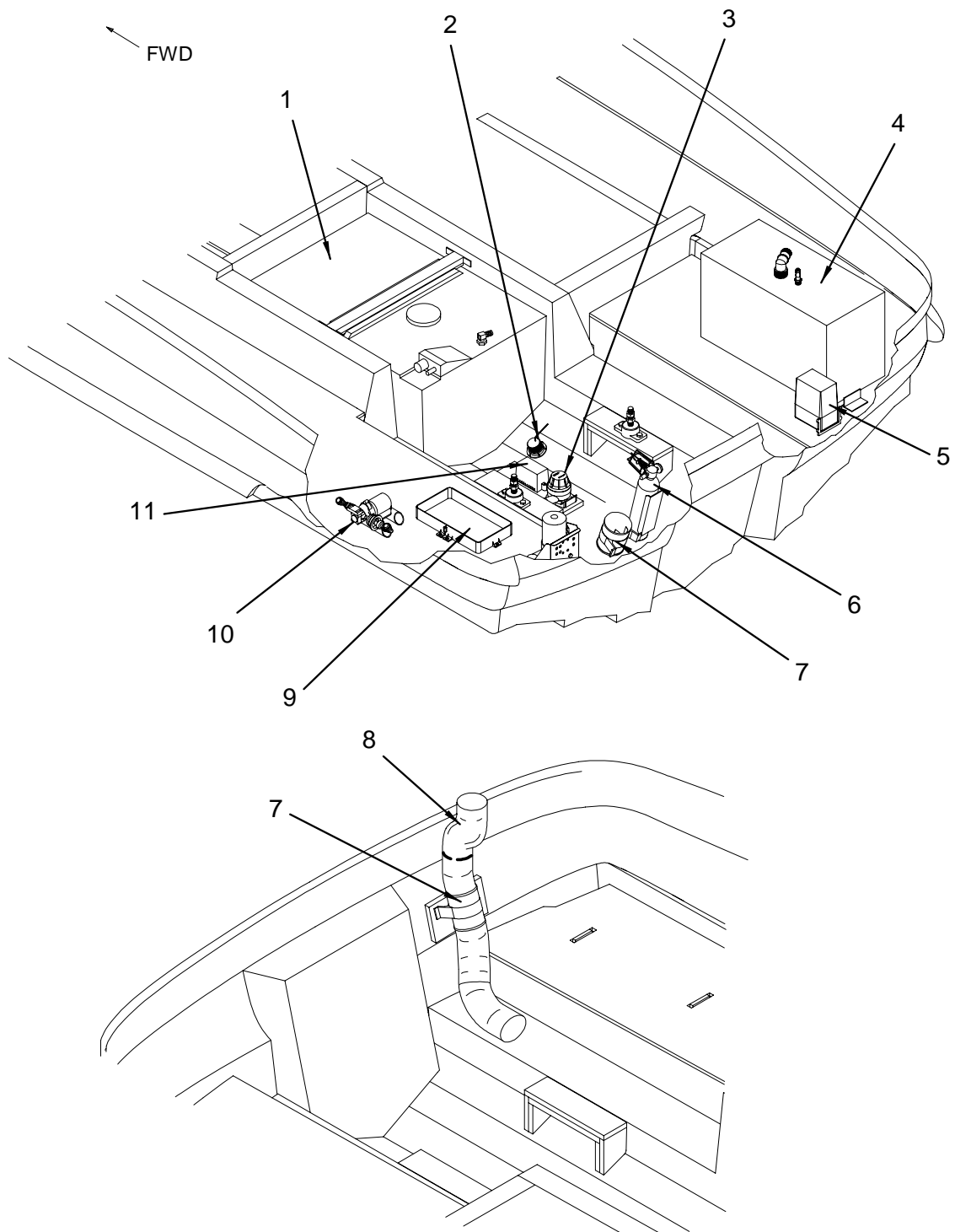
2005 TELLICO PLANT HARDWARE

<p>WHITE 10LB</p>  <p>1 → 1450188</p>	 <p>2 → 1781449</p>	<p>2" OFFSET LONG SS</p>  <p>3 → 1781438</p>	 <p>4 → 1118314</p>
<p>STAINLESS STEEL</p>  <p>5 → 1781446</p>	<p>STAINLESS STEEL</p>  <p>6 → 1781437</p>	<p>BLACK</p>  <p>7 → 1365550</p>	<p>CHROME-RH OUT</p>  <p>8 → 1717317</p>
 <p>9 → 1781440</p>	 <p>10 → 1781448</p>	<p>WHITE</p>  <p>11 → 156166</p>	<p>1/4" X 1/2" X 1 3/4" PRL</p>  <p>12 → 1287309</p>
 <p>13 → 1754046</p>	 <p>14 → 1760140</p>	 <p>15 → 1760128</p>	<p>11 1/2" X 3/4" X 1/2" PEARL</p>  <p>16 → 1778647</p>

TELLICO HARDWARE

1	1450188	CATCH, GRABBER LATCH W/10LB HOLD WHT
2	1781449	CATCH, PAWL 2.5"STRAIGHT LONG SS
3	1781438	CATCH, PAWL 2"OFFSET LONG SS
4	1118314	CATCH, RBR SUNPAD HOLD-DOWN
5	1781446	LATCH, COMPRESSION 2.5"N/LOCKING SS
6	1781437	LATCH, COMPRESSION 2"N/LOCKING SS
7	1365550	LATCH, FLUSH T-HNDL W/O LOCK BLK
8	1717317	LATCH, OFFSHR MORTISE RH-OUT PRVKNB CHR
	1784623	PLATE, STRIKER OFFSHR MORTISE (FOR 1717317)
9	1781440	PLATE, DEEP BRKT 2"W/HDWR PKG SS
10	1781448	PLATE, SHALLOW BRKT 2.5"W/HDWR PKG SS
11	156166	PULL, DOOR/DRAWER PLAS WHT
12	1287309	SHIM, HDPE 1/4"X 1/2"X 1.75" PRL
13	1754046	SHIM, HDPE 7/16"X 1.25"X 1/4" PRL
14	1760140	SHIM, PVC LADDER HATCH CATCH 1/2" WHT (HULL#3499->4179)
15	1760128	SHIM, PVC LADDER HATCH CATCH 3/4" WHT
16	1778647	STOP, PLEX DOOR WALK THRU PRL

BILGE



BILGE

- 1 1771060 TANK, FUEL 240SD 65GAL PLS W/SS SNDR W/CONN
- 1098250 TUBE, P/U FUEL-SPECIFY TANK (FOR#1076223)
- 1433895 TANK, FUEL HDWR 1/2" SS SCREEN
- 1745006 SENDING UNIT, WEMA 18.5" SS W/SCRW & GASKET
- 1758564 ELBOW, SS P/U 3/8"MPT X 1/4"NPT
- 2 1727450 ACC PART, MERC S-CRFT TRNS W/10' NYL DEP/TEMP
- 3 1771004 PUMP, BILGE 1100GPH W/IMPLLR HOUSG VNS W/CONN
- 123901 HOSE, CORR BILGE 1 1/8" BLK
- 256685 CLAMP, HOSE #16 3/4"-1.5" SS .505
- 1524644 GASKET, THRU-HULL 1 29/32" OD
- 1778931 THRU-HULL, SS 1 1/8"BARB SHORT W/RBR GASKET
- 4 1285410 TANK, WATER 240SD-00 18GAL
- 1798062 TUBE, PICK-UP WATER 14.5"
- 5 271445 TRIM TAB, HYD PUMP ONLY 12V
- 1798176 PLUG, TRIM TAB HYD PUMP
- 1798177 COVER, LEXAN TRIM TAB HYD PUMP
- 6 1771026 HALON SYS, AUTO 150CF (1301 HALON) W/CONN
(HALON FIRE SUPPRESSION SYSTEM - AUTOMATIC)
- 1798060 LIGHT, INDICATOR GREEN 12V
(HALON FIRE SUPPRESSION SYSTEM - AUTOMATIC)
- 1771030 FIRE EXT SYS, FM200 100CF GAS-AUTO W/CONN
(CE FIRE SYSTEM - EUROPEAN DEALERS ONLY)
- 7 1771006 BLOWER, BILGE 4" #240MQ W/CONN
- 124016 HOSE, VENT/BLOWER 4" EX HVY DTY
- 1212729 TIE, CABLE 14" BLK W/SS BARB
- 8 124016 HOSE, VENT/BLOWER 4" EX HVY DTY
- 9 130435 HOLDER, BATTERY GR27 BLK NYLON W/SS
- 1324441 CABLE, BATT SET 240SD-00
- 1216514 BOOT, BATTERY CABLE 4/0 BLK 1"
- 1216522 BOOT, BATTERY CABLE 4/0 RED 1"
- 140509 BOOT, ENG STARTER RED
- 1412626 BOOT, E-MODULE RED
(HULL#3001->3547)
- 10 1771071 PUMP, FRESH WTR SHURFLO 2.8GPM SFT MNT W/CONN
- 1453984 FITTING, NEPT 1/2"FEM SWVL BLK
(HULL#3001->3851)
- 1210160 TUBING, SEATECH 15MM X 11MM X 250' BLUE
(HULL#3005->3858)
- 406710 FILTER, IN-LINE WATER 1/2" FPT
- 11 1771033 SWITCH, FLOAT RULE W/CVR W/CONN

BATTERY ON/OFF SWITCH

- 1726841 SWITCH, BATTERY ON/OFF N/LCK N/DISC RV1
- 1324458 CABLE, BATT SET 240SD-00 W/OPT BATT SW
- 140509 BOOT, ENG STARTER RED
- 130435 HOLDER, BATTERY GR27 BLK NYLON W/SS
- 1746901 LABEL, CAUTION BATTERY SWITCH OFF/ALT DAMAGED

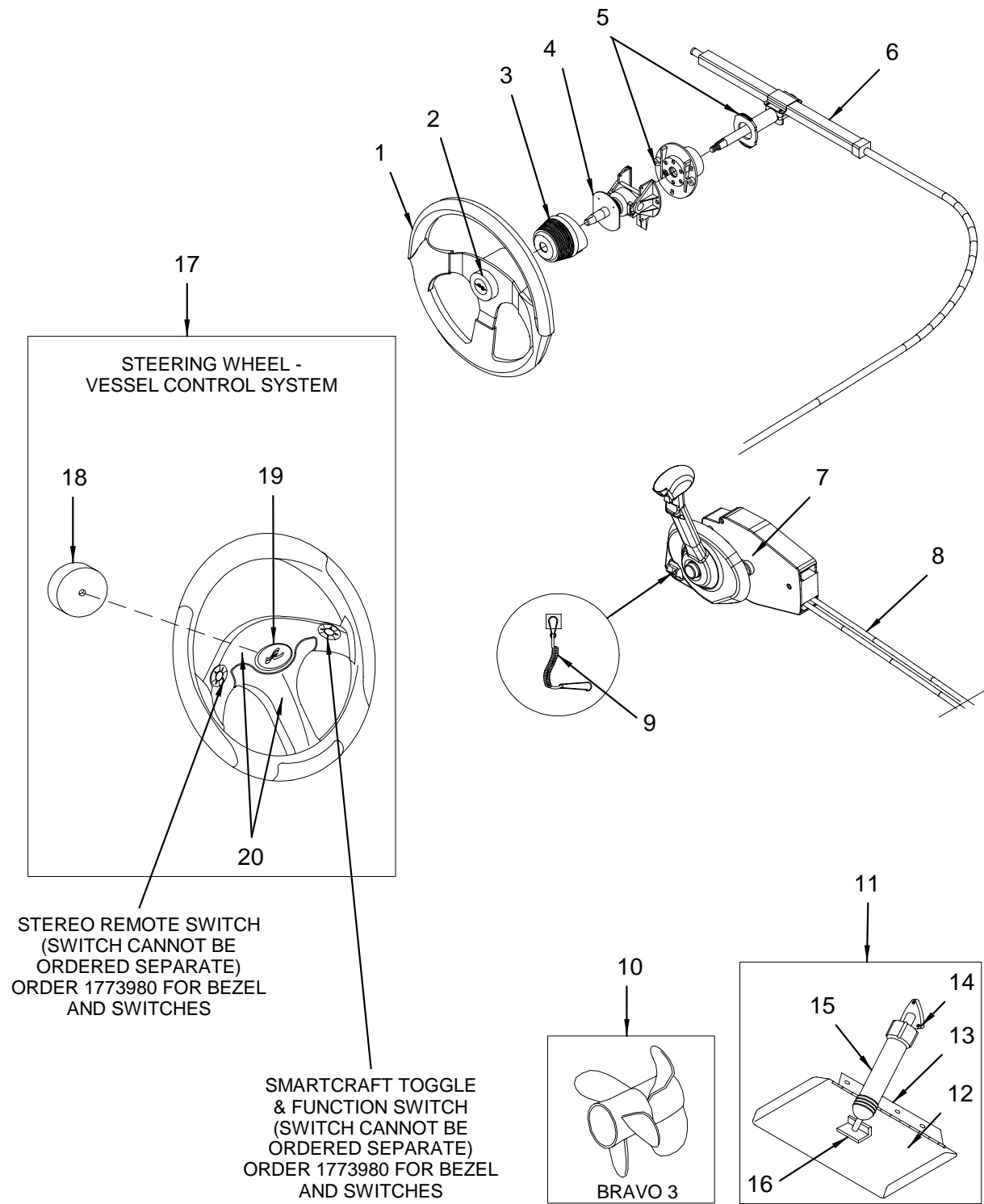
DUAL BATTERIES

- 1726840 SWITCH, BATTERY SEL W/O LOCK W/O DISC REV 1
- 1431592 CABLE, BATT SET 240SD-00 W/DUAL BATT KIT
- 130435 HOLDER, BATTERY GR27 BLK NYLON W/SS
- 1216522 BOOT, BATTERY CABLE 4/0 RED 1"
- 1258979 BOOT, BATTERY CABLE 105C "T" BLK 4/0

NOT SHOWN

- 1341395 FOAM, P/C 240SD-00 CONV BILGE 2-PC
- 1347053 FOAM, P/C 240SD-00 CONV BILGE 2-PC CE OPT
(C E OPTION GROUP)
- 1501782 HOSE, CONDUIT/SPLIT 1/2" FLAME RETARDANT
- 1501824 HOSE, CONDUIT/SPLIT 3/4" FLAME RETARDANT
- 130351 PIPE, PVC SCH 20 BOE PIPE 3/4" X 20'
- 1794197 SHIM, HDPE 1"DIA X 1/4" BLACK
- 1787130 HARNESS, 240SD-05 WIRE W/S-CRFT W/CONN RV1
- 1684388 CAP, PROTECT CLAMP RBR .045"X.465-1/2"BLK
(CORSA THRU-HULL EXHAUST SYSTEM)
- 1797094 MUFFLER, CORSA W/SIDTPS 200SEL/240SD V8/1.7"R
(CORSA THRU-HULL EXHAUST SYSTEM)
- 256743 CLAMP, HOSE #72 3 1/8"-5" SS .505
(CORSA THRU-HULL EXHAUST SYSTEM)

STEERING SYSTEM



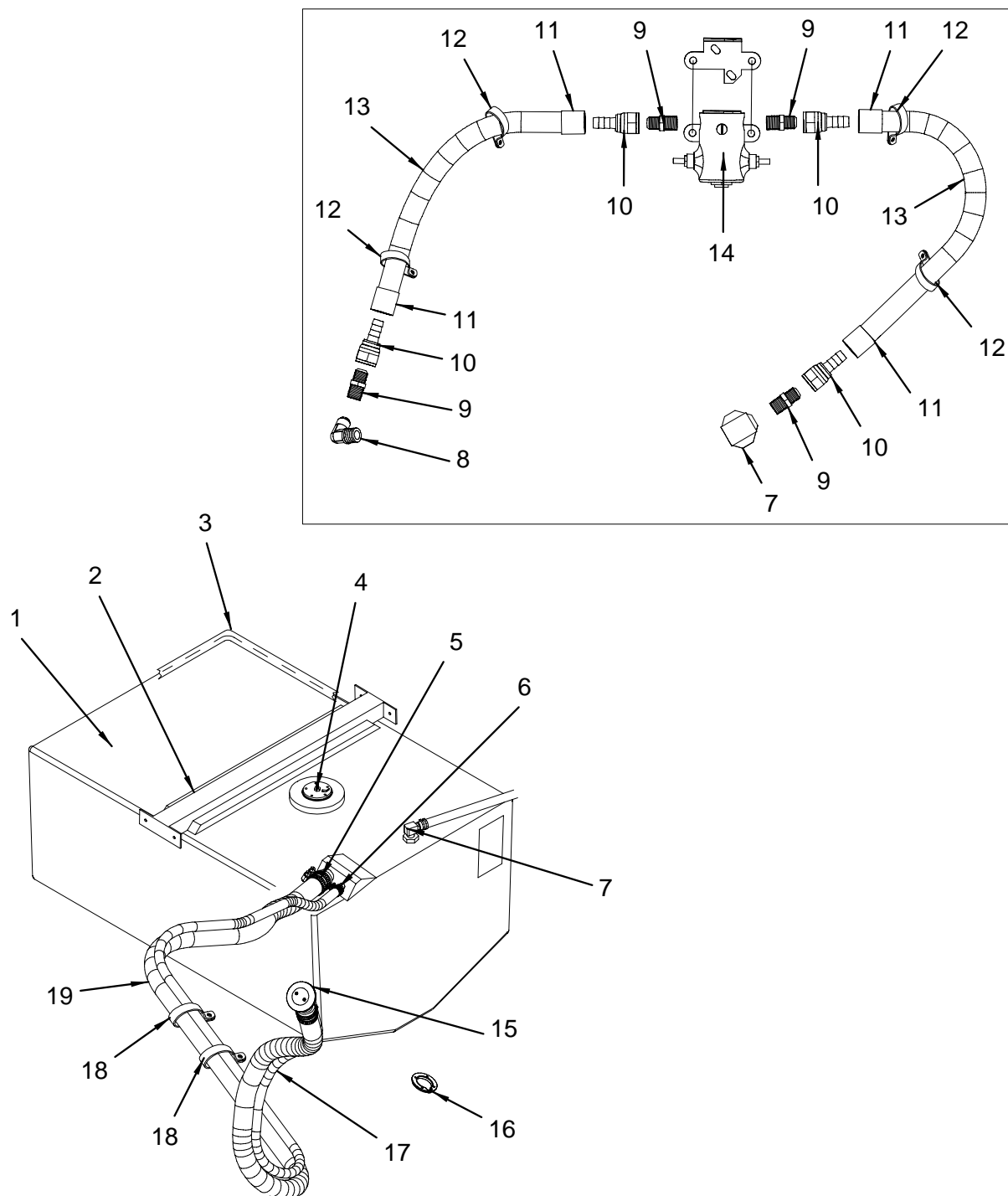
STEERING SYSTEM

- 1 1756516 STEERING WHEEL, SPBT-04 BLK/BLK W/METCHPAD
- 758599 HUB KIT, STEERING WHEEL DINO 332
- 1676840 STEERING WHEEL, CHR MEDALLION HLD (1620012)
- 1757779 PAD, STEER WHL CTR SPBT-04 MET CHR Y N/SR LOGO
- 1785024 STEERING WHEEL, BLK WHEEL ONLY (1756516)
- 1785025 STEERING WHEEL, SCREW ONLY (1756516)
- 2 1549666 EMBLEM, S/R WAVE OVAL URET CHR 1.125"X 2.375"
- 3 1092212 STEERING, MOUNT 90 DEG BEZEL ONLY BACK-MNT
- 4 662510 STEERING, PERFORMANCE TILT MECHANISM
- 126987 STEERING, MOUNT 90 DEG BEZEL ONLY
- 958439 STEERING, BELLOWS TILT STEERING BLK
- 1777615 STEERING, PERFORMANCE TILT MECHANISM INTLLWHL
(STEERING WHEEL - INTEGRATED CONTROL SYSTEM)
- 5 1092246 STEERING, TILT HELM BACK-MNT
- 6 1091867 STEERING, BACK MNT RACK/CABLE 17.0' ASSY
- 7 1754390 CONTROL, SIDE MNT PISTOL GRIP 4000 GEN II I/O
- 8 1757747 CABLE, CONTROL MERC GEN II STD 16 LAY 15'BULK
- 1757745 CABLE, CONTROL MERC GEN II STD 16 LAY 14'BULK
- 9 778928 LANYARD, COILED STOP SWITCH
- 10 708172 PROP, 15.75"X 22" SS BR3 LH
- 708180 PROP, 14.25"X 22" SS BR3 RH
- 708198 PROP, 15.5"X 24" SS BR3 LH
(24" BRAVO 3 SET (2 COUNTER ROTATING PROPS))
- 708206 PROP, 14.25"X 24" SS BR3 RH
(24" BRAVO 3 SET (2 COUNTER ROTATING PROPS))
- 708214 PROP, 15.25"X 26" SS BR3 LH
(26" BRAVO 3 SET (2 COUNTER ROTATING PROPS))
- 708222 PROP, 14"X 26" SS BR3 RH
(26" BRAVO 3 SET (2 COUNTER ROTATING PROPS))
- 11 1292051 TRIM TAB, ASSY 10X12 PARA W/HDWR/FLUID/P/CACT
- 12 1410612 TRIM TAB, TPA W/MNTG PLATE F/1292051
- 1410570 TRIM TAB, TRIM PLANE ONLY F/1292051
- 13 1410547 TRIM TAB, MOUNTING PLATE FOR 1292051
- 14 1410562 TRIM TAB, UPR HINGE
- 1410539 TRIM TAB, ZINC ONLY (ZINC3)
- 15 1410554 TRIM TAB, ACTUATOR W/10' PRECON
- 16 1743708 TRIM TAB, LWR HINGE
- 1743709 TRIM TAB, LWR HINGE PIN
- 17 1773975 STEERING WHEEL, SPBT INTELIWHEEL METCHRY/BLK
(STEERING WHEEL - INTEGRATED CONTROL SYSTEM)
- 1774822 HARNESS, INTELIWHEEL S-CRFT CAN INTERFACE 6'
(STEERING WHEEL - INTEGRATED CONTROL SYSTEM)
- 1736095 CABLE, CLARION REMOTE EXTENSION CABLE 2'
(STEERING WHEEL - INTEGRATED CONTROL SYSTEM)
- 935080 CABLE, CLARION DUAL REMOTE "Y"
(STEERING WHEEL - INTEGRATED CONTROL SYSTEM)
- 18 1773984 STEERING, CLOCKSFRING INTELIWHL ASSY PLAS BLK
(STEERING WHEEL - INTEGRATED CONTROL SYSTEM)
- 19 1786903 EMBLEM, S/R WAVE OVAL CHR W/BZL (INTELIWHEEL)
(STEERING WHEEL - INTEGRATED CONTROL SYSTEM)
- 20 1773980 STEERING, BEZEL INTELIWHEEL MET CHR/BLK
(STEERING WHEEL - INTEGRATED CONTROL SYSTEM)

NOT SHOWN

- 123604 CLAMP, LOOM VINYL DIP 2.5"
- 1782631 HARNESS, MERC TRIM PUMP ADAPTER
- 1793975 HARNESS, STEERING ADAPTOR F/3.03 TACHS
(HULL#3544->4157)
- 1507292 HARNESS, ENG SYSTEMS TACH/MONITOR
(STEERING WHEEL - VESSEL CONTROL SYSTEM)
- 1507326 ACC PART, MERC S-CRFT JUNC BOX 4-WAY
(STEERING WHEEL - VESSEL CONTROL SYSTEM)
- 1507334 ACC PART, MERC S-CRFT TERMINATOR JUNC BOX
(STEERING WHEEL - VESSEL CONTROL SYSTEM)
- 1727448 HARNESS, MERC DATA S-CRFT W/TERM 1000-1RSL-25
(STEERING WHEEL - VESSEL CONTROL SYSTEM)

FUEL SYSTEM



FUEL SYSTEM

1	1771060	TANK, FUEL 240SD 65GAL PLS W/SS SNDR W/CONN
2	1278894	BRACKET, FUEL TANK 27.5" 240SD-00
	1497452	TAPE, FOAM NEOPRENE W/3M 9828 3/8"TH X 2"W
3	468934	TAPE, VAC PAK WHT (4"X 36YDS) PRESERVATION
4	1771048	SENDING UNIT, WEMA 18.5" SS W/SCRW&GSKT W/CON
5	256693	CLAMP, HOSE #24 1"-2" SS .505
6	123398	CLAMP, HOSE #06M 5/16"-7/8" SS MINI
	256677	CLAMP, HOSE #12 1/2"-1.25" SS .505
7	1098250	TUBE, P/U FUEL-SPECIFY TANK (FOR#1076223)
8	1758564	ELBOW, SS P/U 3/8"MPT X 1/4"NPT
9	140483	ADAPTER, BRASS 1/4"MPT X 3/8"SAE
10	170589	FITTING, BRASS 3/8"BARB/NUT
11	1478213	FERRULE, FUEL LINE 3/8"ISO/CE
12	123661	CLAMP, LOOM VINYL DIP 1"
13	1497486	HOSE, FUEL 3/8" ISO/CE W/PLAS LINER
14	1791155	VALVE, BRASS FUEL SHUT-OFF 12V SER7000 10W (HULL#3643->UP)
	1782030	VALVE, BRASS FUEL SHUT-OFF ELEC 12V SER7000 (HULL#3153->3642)
	224329	VALVE, BRASS FUEL SHUT-OFF ELEC 12V SKINNER (HULL#3001->3152)
	306936	BRACKET, FUEL SHUT-OFF VALVE (SKINNER-ELEC) (HULL#3001->3166)
	1689600	HARNES, 9' ELEC FUEL SHUTOFF VLV W/TERM 02 (HULL#3001->3565)
15	1109354	DECK PLATE, GAS CHR W/VENT 45DG NCK RED CODE (HULL#3001 & 3984->UP)
	1771034	DECK PLATE, GAS CHR W/VNT 45DG NCK RED W/CONN (HULL#3002->3983)
	1068592	KEY, DECK PLATE CAP
	1213867	DECK PLATE, CAP W/CHAIN GAS (FOR #1109354)
16	1098615	DECK PLATE, GAS CHR W/VENT (SHIM ONLY)
17	123778	HOSE, FUEL 5/8" TYPE A CLASS 2
	1501840	HOSE, CONDUIT/SPLIT 1" FLAME RETARDANT
18	123604	CLAMP, LOOM VINYL DIP 2.5"
19	123745	HOSE, FUEL 1.5" TYPE A CLASS 2
	1501857	HOSE, CONDUIT/SPLIT 1.5" FLAME RETARDANT

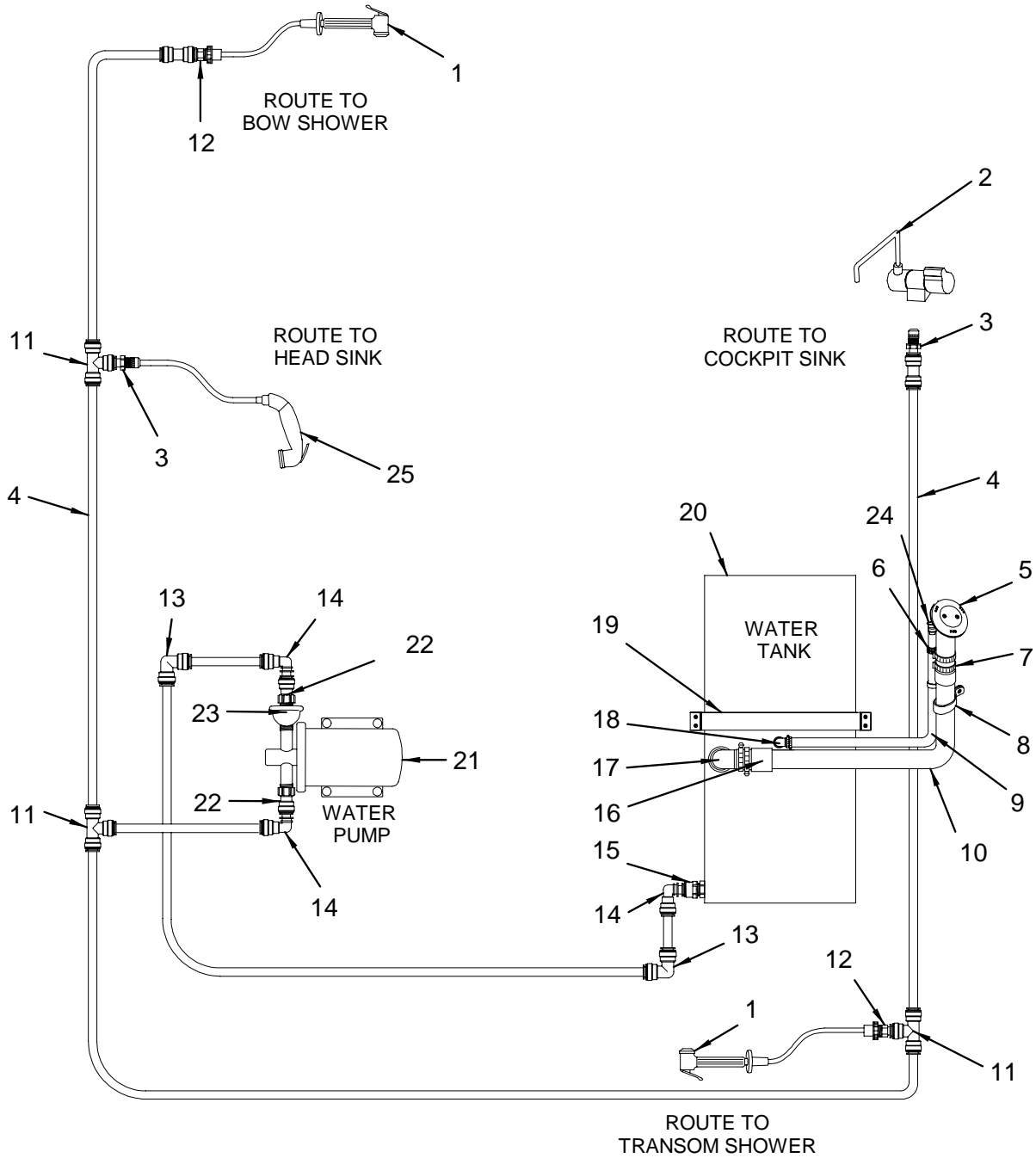
LABELS

1745157	LABEL, FUEL RECOMMENDATION
1745512	LABEL, STAY CLEAR OF MOVING PARTS ON ENGINE

NOT SHOWN

1069186	ADAPTER, BRASS 3/8"MPT X 1/4"MPT (HULL#3001->3355)
169524	ADAPTER, BRASS 3/8"MPT X 3/8"SAE
141747	ANGLE, PVC 2"X 2"X 1/4"X 10' GREY
263954	CLAMP, HOSE #10 1/2"-1 1/8" SS .505
140467	ELBOW, BRASS 90DEG 3/8"SAE X 1/4"MPT (HULL#3001->3277)

WATER SYSTEM



WATER SYSTEM

- 1 1775029 SHOWER, SPRAY BLK NOZZLE W/8' VINYL HOSE
(HULL#3031->UP)
- 1597921 SHOWER, SPRAY NOZZLE W/8'SS HOSE HVY DUTY
(HULL#3001->3030)
- 1764405 SHOWER, BLK HANDLE FAUCET SPRAYER NOZZLE
(HULL#3001->UP)
- 1671254 SHOWER, HOSE 8' SS W/GASKETS
(HULL#3001->3030)
- 1388743 HOLDER, PLAS SPRAYER PRL
(HULL#3001->3030)
- 1524644 GASKET, THRU-HULL 1 29/32" OD
- 2 1775010 FAUCET, FOLD DOWN SGL TAP CHR
- 1524677 GASKET, THRU HULL 1 29/64" OD
- 3 1215185 ADAPTER, SEATECH 1/2"M-15MM STEM BRASS
- 4 1210160 TUBING, SEATECH 15MM X 11MM X 250' BLUE
(HULL#3005->3858)
- 5 1109362 DECK PLATE, WATER CHR W/VNT 45DG NCK BLUE
- 1405844 DECK PLATE, CAP W/CHAIN WATER
- 1068592 KEY, DECK PLATE CAP
- 6 123398 CLAMP, HOSE #06M 5/16"-7/8" SS MINI
- 7 256693 CLAMP, HOSE #24 1"-2" SS .505
- 8 123604 CLAMP, LOOM VINYL DIP 2.5"
- 9 1775071 HOSE, WATER 5/8" BLK REINF PVC
- 10 490219 HOSE, CORR SAN/WATER-FILL 1.5" RH
- 11 1214824 TEE, SEATECH EQUAL 15MM
- 12 1215185 ADAPTER, SEATECH 1/2"M-15MM STEM BRASS
- 13 1214832 ELBOW, SEATECH 90DEG EQUAL 15MM
- 14 1214840 ELBOW, SEATECH 90DEG STEM 15MM
- 15 1216308 ADAPTER, SEATECH STRAIGHT 1/2"M-15MM BRASS
- 16 172726 HOSE CUFF, 1.5" RH WHT
- 17 130344 ELBOW, PVC 1.5"MPT X 1.5"BARB X 90DEG
- 18 167874 ELBOW, GENOVA 1/2"MPT X 1/2"BARB X 90DEG
- 19 1780779 240SD 05,STRAP,WTR TANK HOLDDOWN ALUM
- 1497452 TAPE, FOAM NEOPRENE W/3M 9828 3/8"TH X 2"W
- 129247 BAR, ALUM FLAT 1/8"X 2"X 12"
- 20 1285410 TANK, WATER 240SD-00 18GAL
- 1798062 TUBE, PICK-UP WATER 14.5"
- 1687447 TANK, WATER - 10GAL W/VENT & FILL FITNGS
(CORSA THRU-HULL EXHAUST SYSTEM)
- 334417 ADAPTER, PVC 1/2"MPT X 1/2"BARB X 90 DEG
(CORSA THRU-HULL EXHAUST SYSTEM)
- 1745838 ADAPTER, PVC 1.5"MPT X 1.5"BARB
(CORSA THRU-HULL EXHAUST SYSTEM)
- 21 1771071 PUMP, FRESH WTR SHURFLO 2.8GPM SFT MNT W/CONN
- 22 1453984 FITTING, NEPT 1/2"FEM SWVL BLK
(HULL#3001->3851)
- 23 1797944 FILTER, IN-LINE WATER 1/2"MPSM X 1/2"NPSF
(HULL#4061->UP)
- 406710 FILTER, IN-LINE WATER 1/2" FPT
(HULL#3001->4060)
- 24 1777214 VENT, FUEL/WATER SS 5/8" FLSH STRAIGHT
(PUMP-OUT HEAD)
(VACUUM FLUSH HEAD W/HOLDING TANK)
- 25 1689704 SHOWER, SPRAY NOZZLE ANGLE BASE W/6'SS HOSE
(HULL#3006->UP) (SS HOSE NOT SOLD SEPARATELY)
- 1764405 SHOWER, BLK HANDLE FAUCET SPRAYER NOZZLE
(HULL#3006->UP)
- 1775010 FAUCET, FOLD DOWN SGL TAP CHR
(HULL#3001->3005)

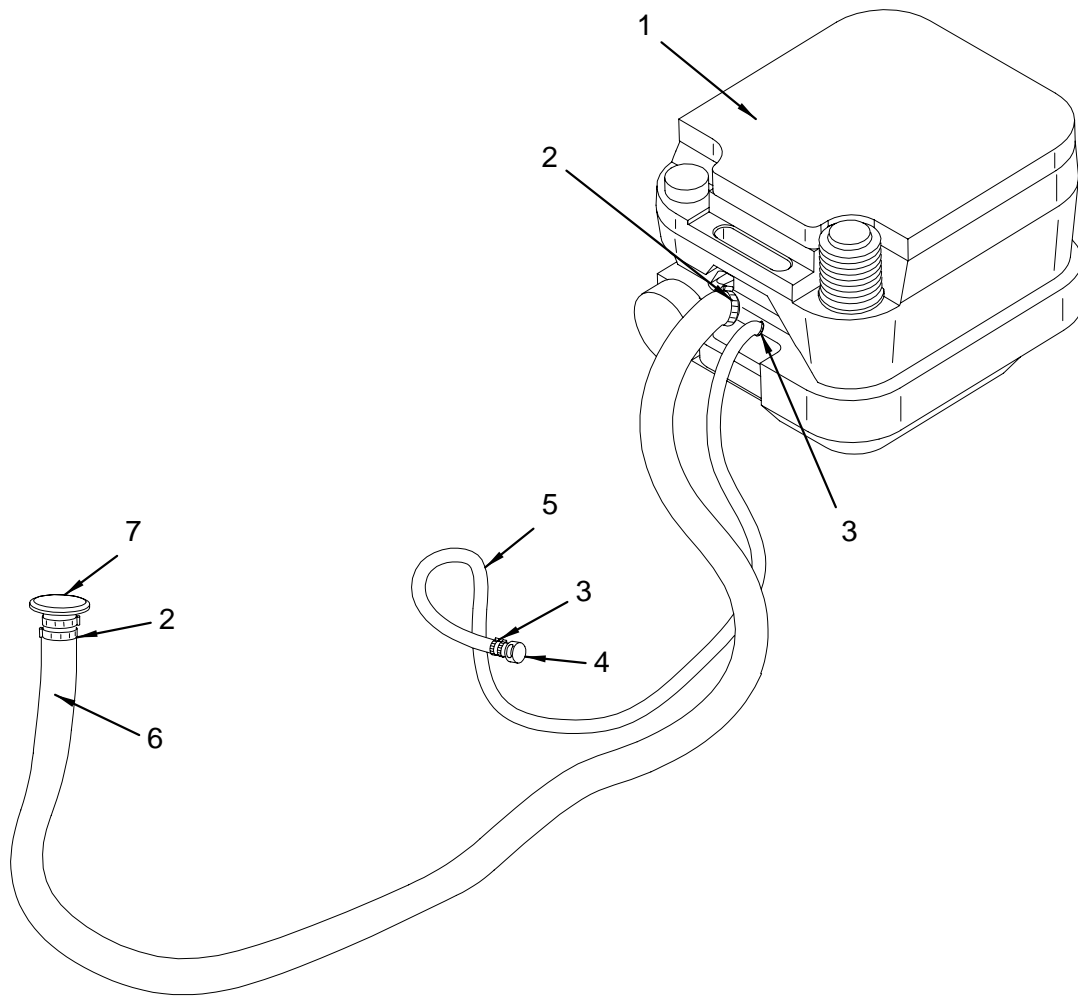
LABELS

- 1743534 LABEL, FRESH WATER (LEXAN)
(HULL#3042->3558)

NOT SHOWN

- 141747 ANGLE, PVC 2"X 2"X 1/4"X 10' GREY
- 123661 CLAMP, LOOM VINYL DIP 1"
- 1215235 CLIP, SEATECH COLLET 15MM
(HULL#3159->4018)
- 466664 HOSE, CORR VAC 1" RH
- 1789703 ELBOW, ZURN 1/2" BARB
- 1789706 TEE, ZURN 1/2" BARB
- 1789708 ELBOW, ZURN 1/2" SWIVEL
- 1789718 CLAMP, CRIMP RING ZURN 1/2"
- 1789743 ELBOW, ZURN 1/2"MPT X 1/2" BARB
- 1789748 NIPPLE, ZURN 1/2" CLOSE
- 1791377 TEE, ZURN 2 ENDS 1/2" BARB X 1/2" MPT BRASS
- 1795915 TUBING, ZURN 1/2"X 20' BLUE

SEWAGE SYSTEM (PUMP-OUT HEAD)



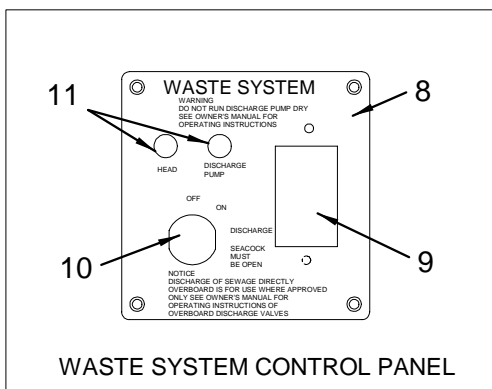
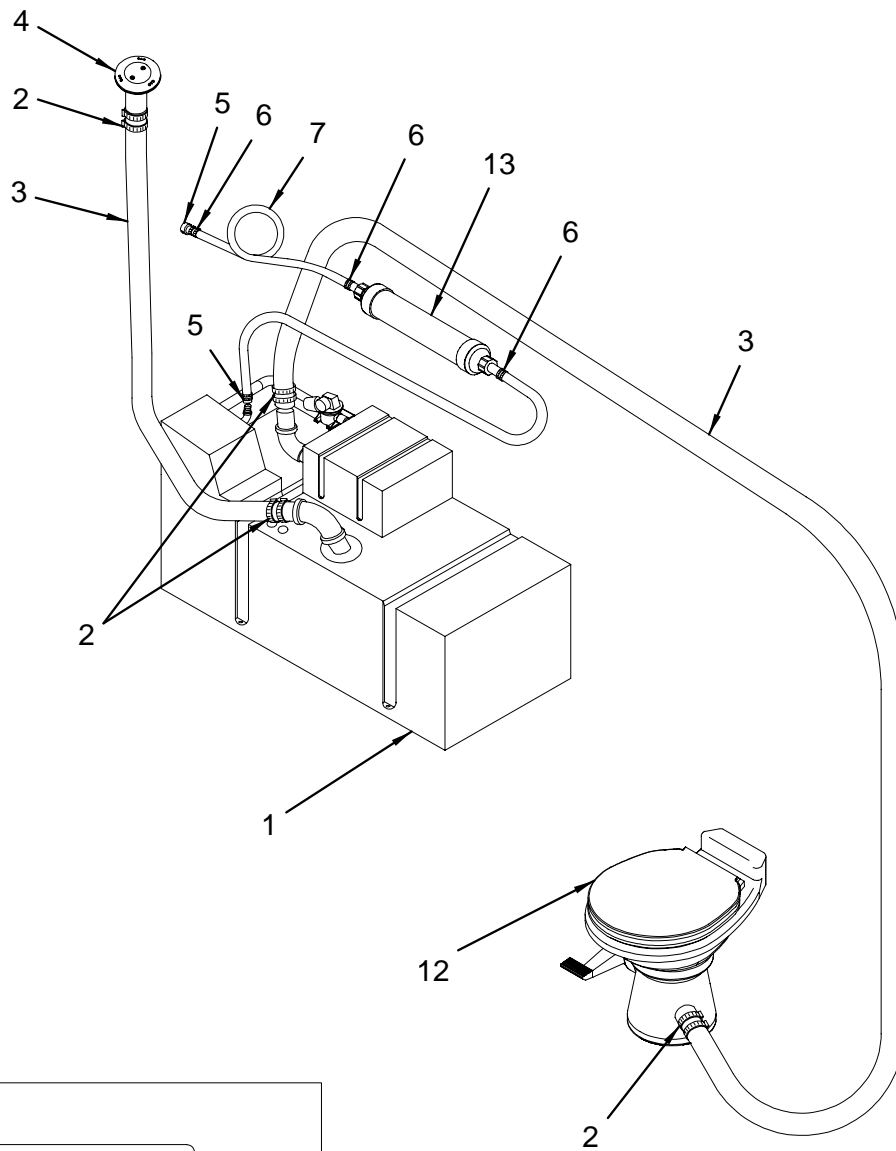
SEWAGE SYSTEM (PUMP-OUT HEAD)

- | | | |
|---|---------|---|
| 1 | 595504 | HEAD, PORTABLE MSD SANI POTTI PARCHMENT 3.0GL |
| | 1783917 | SEAT ASSY, CVR/SEAT/HNG PIN PRCHMNT |
| 2 | 256693 | CLAMP, HOSE #24 1"-2" SS .505 |
| 3 | 263954 | CLAMP, HOSE #10 1/2"-1 1/8" SS .505 |
| 4 | 1777214 | VENT, FUEL/WATER SS 5/8" FLSH STRAIGHT |
| 5 | 124719 | HOSE, SANI/CHEMICAL TDX 5/8" |
| 6 | 123844 | HOSE, SANI/SMOOTH WALL 1.5" |
| 7 | 1355585 | DECK PLATE, WASTE CHR STRAIGHT NCK BLK CODE |
| | 522599 | KEY, DECK PLATE CAP |
| | 1474790 | DECK PLATE, CAP W/GASKET |

NOT SHOWN

- | | | |
|--|---------|--|
| | 129189 | ANGLE, ALUM 1/8"X 1.5"X 1.5"X 16' |
| | 1501840 | HOSE, CONDUIT/SPLIT 1" FLAME RETARDANT |
| | 1789686 | ADAPTER, ZURN STRAIGHT 1/2" SWIVEL |
| | 1799204 | NUT, ZURN 1/2" WINGLESS |

SEWAGE SYSTEM (VACUUM FLUSH HEAD W/HOLDING TANK)



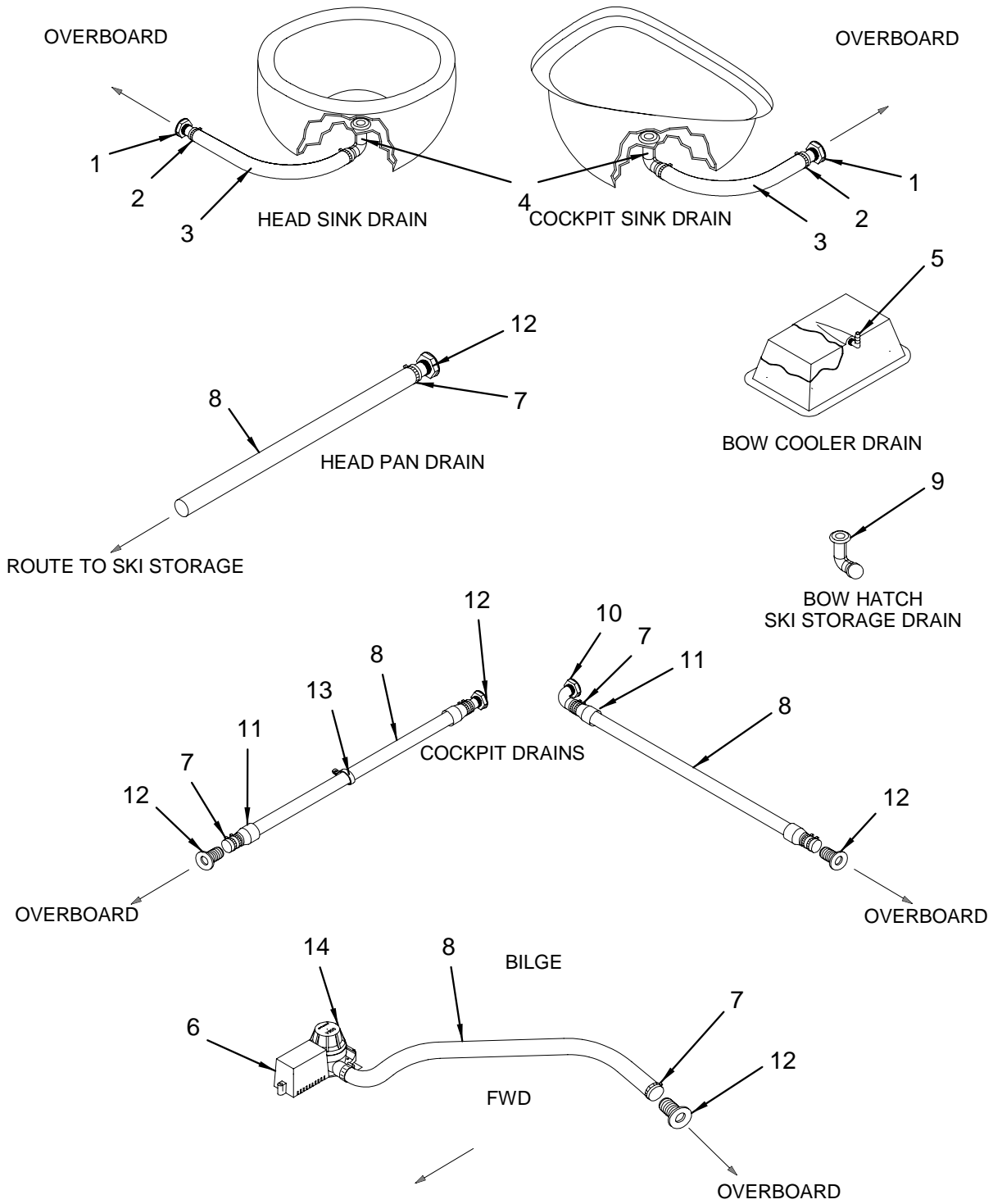
**SEWAGE SYSTEM (VACUUM FLUSH HEAD
W/HOLDING TANK)**

1	1745173	TANK, W/HEAD@10GAL HTS W/SEND V/G WOOD
	1737660	TANK, HOLDING 10 GAL HTS 12VDC (TANK ONLY)
	1777918	HARNES, 240SD-05 WASTE SYSTEM (HULL#3035->UP)
	1742192	HARNES, 240SD-03 WASTE SYSTEM (HULL#3001->3034)
2	256693	CLAMP, HOSE #24 1"-2" SS .505
3	123844	HOSE, SANI/SMOOTH WALL 1.5"
4	1355585	DECK PLATE, WASTE CHR STRAIGHT NCK BLK CODE
	1068592	KEY, DECK PLATE CAP
	1474790	DECK PLATE, CAP W/GASKET
5	1777214	VENT, FUEL/WATER SS 5/8" FLSH STRAIGHT
6	263954	CLAMP, HOSE #10 1/2"-1 1/8" SS .505
7	124719	HOSE, SANI/CHEMICAL TDX 5/8"
8	1188945	PANEL, 260DA-99 WASTE SYS CNTRL
9	893800	PANEL, WASTE LEVEL INDICATOR 12V
10	557785	SWITCH, IGN STARTER
11	533109	BRKR, P/BTN-MANUAL RESET 10A
12	1542851	HEAD, VACU-FLUSH BONE 147 (ECOVAC) LOW PRFILE
13	134759	FILTER, HEAD TREATMENT SYSTEM

NOT SHOWN

	1795915	TUBING, ZURN 1/2"X 20' BLUE
	1214824	TEE, SEATECH EQUAL 15MM
	1214832	ELBOW, SEATECH 90DEG EQUAL 15MM
	1506716	TIE, CABLE 15.5" W/3/4" SCREW/PLAS WASHER
	1506732	TIE, CABLE 8.5" W/3/4" SCREW/PLAS WASHER
	1545128	ADAPTER, SEATECH 1/2"UST X 15MM W/O WINGS
	1748071	COVER, HDPE 240SD-03 VACU FLUSH HEAD ACCESS
	266023	FUSE, BLADE TYPE ATO 20A

DRAINAGE SYSTEM



DRAINAGE SYSTEM

- 1 1778933 THRU-HULL, SS 5/8" BARB SHORT W/RBR GASKET
1524677 GASKET, THRU HULL 1 29/64" OD
- 2 417998 CLAMP, HOSE #04M 1/4"-5/8" SS MINI
- 3 1775071 HOSE, WATER 5/8" BLK REINF PVC
- 4 1779333 DRAIN, FLAT HEAD 5/8" LEFT
1780445 DRAIN ASSY, STOPPER #4203 LONG BLK
- 5 167874 ELBOW, GENOVA 1/2" MPT X 1/2" BARB X 90 DEG
- 6 1771033 SWITCH, FLOAT RULE W/CVR W/CONN
- 7 256685 CLAMP, HOSE #16 3/4"-1.5" SS .505
- 8 123901 HOSE, CORR BILGE 1 1/8" BLK
- 9 266130 DRAIN, LINER W/90 DEG ELBOW 1" PLASTIC
- 10 1392794 THRU-HULL, PLAS 1 1/8" TUBE X 90 DEG PRL
- 11 466615 HOSE CUFF, 1" RH WHT
- 12 1778931 THRU-HULL, SS 1 1/8" BARB SHORT W/RBR GASKET
1524644 GASKET, THRU-HULL 1 29/32" OD
- 13 123661 CLAMP, LOOM VINYL DIP 1"
- 14 1771004 PUMP, BILGE 1100GPH W/IMPLLR HOUSG VNS W/CONN

350 MAG MPI BR 3 (300 PHP) MCM STERN DR.

1687181 BOOT, PVC TERM INSUL CAP(485N9V02)RED
 1791388 DECAL, MERCURY CERTIFIED INSTALLER
 1086990 OUTDRIVE UNIT, MERC BRAVO III 2.20:1
 1778015 OUTDRIVE UNIT, MERC BRAVO III 2.20:1 '05
 1778093 S/D, MERC 300HP 350MAG BR RSR
 1738452 S/D, MERC 300HP 350MAG MPI DE BRIII W/RSR

MX 6.2L MPI BR 3 (320 PHP) MCM STERN DRIVE

1687181 BOOT, PVC TERM INSUL CAP(485N9V02)RED
 1791388 DECAL, MERCURY CERTIFIED INSTALLER
 1086990 OUTDRIVE UNIT, MERC BRAVO III 2.20:1
 1778015 OUTDRIVE UNIT, MERC BRAVO III 2.20:1 '05
 1778100 S/D, MERC 320HP 6.2MPI BR RSR
 1738461 S/D, MERC 320HP MX6.2 MPI DE BRIII W/RSR

5.0L MPI BR 3 (260 PHP) MCM STERN DRIVE

1687181 BOOT, PVC TERM INSUL CAP(485N9V02)RED
 1791388 DECAL, MERCURY CERTIFIED INSTALLER
 169474 ELBOW, BRASS 90DEG 3/8"SAE X 3/8"MPPT
 1086990 OUTDRIVE UNIT, MERC BRAVO III 2.20:1
 1778015 OUTDRIVE UNIT, MERC BRAVO III 2.20:1 '05
 1738460 S/D, MERC 260HP 5.0L MPI DE BRIII W/RSR
 1778068 S/D, MERC 260HP 5.0MPI BR RSR

TWO BUCKET SEATS W/ SUN LOUNGER SEATING PKG

129189 ANGLE, ALUM 1/8"X 1.5"X 1.5"X 16'
 964890 BRACKET, H/S FOLDUP 2PC RV2
 795286 CARPET, EXT 12 OZ CHAR #0326 LT NEEDLE PUNCH
 1736611 FOAM, P/C 240SD-03 BOW BLSTR W/PRT BKT
 1737700 FOAM, P/C 240SD-03 BOW CUSH W/PRT BKT
 1781287 FOAM, P/C 240SD-05 BOW BLSTR W/PRT BKT
 1441260 FOAM, P/C BKT SEAT W/THGHR5-01
 1645712 HIDEM, GRANDE FLAX 5/8"
 1621358 HIDEM, GRANDE PLATINUM 5/8"
 1752705 HIDEM, GRANDE STINGER CREAM 5/8"
 1687646 HIDEM, SEABROOK EBONY 5/8"
 1750873 HOLDER, DRINK SS 2-RING 3" (KING)
 1154012 PEDESTAL, ALUM 7.75" RIBBED W/DELICUP
 1690896 PLATE, ALUM 1/4"X 2"X 9.75" W/2" TAPPED HOLES
 1768943 PVC BOARD, 1/2"X 4'X 8' SR PRL INTEFOAM
 1780393 RAIL, GRAB 8.5" 316L SS W/GASKET
 1794992 RAIL, GRAB 8.5" 316L SS W/SHORT 7/8" STUDS
 1630342 RAIL, GRAB BAJA 8 5/8" SS W/STUD
 1441195 SHELL, BKT SEAT SPBT/SPCR-01 W/THGHR5
 1474956 SLEEVE, BKT SEAT SPBT/SPCR 01 THIGH-RISE
 1754578 SLIDE ASSY, SEAT MILLENIUM 10.5" M/H LONG HDL
 1579788 VINYL, GRANDE D FLAX EXP FLAT
 1579820 VINYL, GRANDE D PLATINUM EXP 1/4" F/B
 1579838 VINYL, GRANDE D PLATINUM EXP FLAT
 1752136 VINYL, MERRITT STINGER CREAM EXP 1/4" F/B
 1752133 VINYL, MERRITT STINGER CREAM EXP FLAT
 1778337 VINYL, NICKEL SR-4983A EXP FLAT
 1600261 VINYL, SEABROOK D PLATINUM EXP FLAT

2ND STEREO REMOTE CONTROL -TRANSOM

935080 CABLE, CLARION DUAL REMOTE "Y"
 1312750 CABLE, CLARION REMOTE EXTENSION CABLE 24'
 1755469 STEREO, REMOTE CNTRL W/DIG DSPLY FOR XMD3 BLK

PREMIER STEREO UPGRADE W/ AMP & SUBWOOFER

1750880 CABLE, RCA AUDIO 6' W/EFX-2 CONN W/NOISE SUPP
 1773444 GRILL, SPEAKER SUBWOOFER 10" ACOM BLK
 1773445 GRILL, SPEAKER SUBWOOFER 10" ACOM WHT
 1736988 HARNESS, 220/240SD-03 STEREO AMP
 1777917 HARNESS, 220/240SD-05 STEREO AMP
 1773440 SPEAKER, 10" SUBWOOFER ACOM N/CVR
 1755999 SPEAKER, 10" SUBWOOFER ACOM W/WHT CVR
 1598853 STEREO, AMP CLARION APX400 4M
 1782017 STEREO, AMP CLARION APX480M

WAKE BOARD RACKS (MUST ORDER SPORTS TOWER)

1749928 SUPPORT, SR ALUM WAKEBOARD RACK ANODIZED

STEERING WHEEL - VESSEL CONTROL SYSTEM

1507326 ACC PART, MERC S-CRFT JUNC BOX 4-WAY
 1507334 ACC PART, MERC S-CRFT TERMINATOR JUNC BOX
 935080 CABLE, CLARION DUAL REMOTE "Y"
 1736095 CABLE, CLARION REMOTE EXTENSION CABLE 2'
 1312750 CABLE, CLARION REMOTE EXTENSION CABLE 24'
 1786903 EMBLEM, S/R WAVE OVAL CHR W/BZL (INTELLIWHEEL)

STEERING WHEEL - VESSEL CONTROL SYSTEM (continued)

1777617 GAUGE, SYS TACH 3" S-CRFT 0-7000RPM RV2
 1507292 HARNESS, ENG SYSTEMS TACH/MONITOR
 1774822 HARNESS, INTELIWHEEL S-CRFT CAN INTERFACE 6'
 1727448 HARNESS, MERC DATA S-CRFT W/TERM 1000-1RSL-25
 1773975 STEERING WHEEL, SPBT INTELIWHEEL MET CHRY/BLK
 1773980 STEERING, BEZEL INTELIWHEEL MET CHRY/BLK
 1773984 STEERING, CLOCKSPEED INTELIWHL ASSY PLAS BLK
 1777615 STEERING, PERFORMANCE TILT MECHANISM INTLLWHL

INTERNAL VINYL PACKAGE

1752136 VINYL, MERRITT STINGER CREAM EXP 1/4" F/B
 1752133 VINYL, MERRITT STINGER CREAM EXP FLAT

24" BRAVO 3 SET (2 COUNTER ROTATING PROPS)

708206 PROP, 14.25"X 24" SS BR3 RH
 708198 PROP, 15.5"X 24" SS BR3 LH

26" BRAVO 3 SET (2 COUNTER ROTATING PROPS)

708222 PROP, 14"X 26" SS BR3 RH
 708214 PROP, 15.25"X 26" SS BR3 LH

PUMP-OUT HEAD

129189 ANGLE, ALUM 1/8"X 1.5"X 1.5"X 16'
 263954 CLAMP, HOSE #10 1/2"-1 1/8" SS .505
 256693 CLAMP, HOSE #24 1"-2" SS .505
 1355585 DECK PLATE, WASTE CHR STRAIGHT NCK BLK CODE
 618702 GASKET, 1"OD X 3/4"ID X 1/16"
 595504 HEAD, PORTABLE MSD SANI POTTI PARCHMENT 3.0GL
 1501840 HOSE, CONDUIT/SPLIT 1" FLAME RETARDANT
 124719 HOSE, SANI/CHEMICAL TDX 5/8"
 123844 HOSE, SANI/SMOOTH WALL 1.5"
 522599 KEY, DECK PLATE CAP
 1777214 VENT, FUEL/WATER SS 5/8" FLSH STRAIGHT
 126888 VENT, FUEL/WATER TANK 5/8"X 3"

VACUUM FLUSH HEAD W/HOLDING TANK

1545128 ADAPTER, SEATECH 1/2"UST X 15MM W/O WINGS
 1789686 ADAPTER, ZURN STRAIGHT 1/2" SWIVEL
 1789718 CLAMP, CRIMP RING ZURN 1/2"
 263954 CLAMP, HOSE #10 1/2"-1 1/8" SS .505
 256677 CLAMP, HOSE #12 1/2"-1.25" SS .505
 256693 CLAMP, HOSE #24 1"-2" SS .505
 1748071 COVER, HDPE 240SD-03 VACU FLUSH HEAD ACCESS
 1355585 DECK PLATE, WASTE CHR STRAIGHT NCK BLK CODE
 1214832 ELBOW, SEATECH 90DEG EQUAL 15MM
 266023 FUSE, BLADE TYPE ATO 20A
 1742192 HARNESS, 240SD-03 WASTE SYSTEM
 1777918 HARNESS, 240SD-05 WASTE SYSTEM
 124719 HOSE, SANI/CHEMICAL TDX 5/8"
 123844 HOSE, SANI/SMOOTH WALL 1.5"
 1188945 PANEL, 260DA-99 WASTE SYS CNTRL
 1745173 TANK, W/HEAD@10GAL HTS W/SEND V/G WOOD
 1214824 TEE, SEATECH EQUAL 15MM
 1789706 TEE, ZURN 1/2" BARB
 1506716 TIE, CABLE 15.5" W/3/4" SCREW/PLAS WASHER
 1506732 TIE, CABLE 8.5" W/3/4" SCREW/PLAS WASHER
 1210160 TUBING, SEATECH 15MM X 11MM X 250' BLUE
 1795915 TUBING, ZURN 1/2"X 20' BLUE
 1777214 VENT, FUEL/WATER SS 5/8" FLSH STRAIGHT
 126888 VENT, FUEL/WATER TANK 5/8"X 3"

CHARCOAL CANVAS OPTION

1793333 CANVAS, 240SD-05 BIM TOP BOOT EMB CHAR
 1793332 CANVAS, 240SD-05 BIM TOP CHAR

FM-200 OPT. FIRE SUPPRESSION SYS-CAN. & AUS.

1771030 FIRE EXT SYS, FM200 100CF GAS-AUTO W/CONN

TWO TONE GELCOAT GRAPHICS

1791044 GEL COAT, VIBRANT YELLOW
 1690266 GEL COAT, YELLOW ARMORCOTE
 1597491 TAPE, SOLID 3/4" UM LT ANTELOPE
 1690443 TAPE, SOLID 3/8" PRL

SIRIUS SATELLITE RADIO

1757933 ANTENNA, SHAKESPEARE SATELLITE RADIO ANTENNA
 1766115 PACKET, SIRIUS WELCOME KIT
 1768304 STEREO, SIRIUS SATELLITE RCVR SIRCL1-1YR

SPEAKERS FOR WATER SPORTS TOWER

1790333 SPEAKER, TOWER 6100 INFINITY W/AMP-MIC
 1796292 TOWER, 240SD-05 ALUM TOWER W/LT & SPKR
 126870 VENT, CLAMSHELL ROPE LCKR 1 5/8"X 1.5"

BATTERY ON / OFF SWITCH

140509 BOOT, ENG STARTER RED
 1324458 CABLE, BATT SET 240SD-00 W/OPT BATT SW
 1746901 LABEL, CAUTION BATTERY SWITCH OFF/ALT DAMAGED
 1726841 SWITCH, BATTERY ON/OFF N/LCK N/DISC RV1

WATER SPORTS TOWER W/ STD BIMINI TOP

1745125 LABEL, SKI TOW ROPE BACKLASH
 929026 LIGHT, NAV A/R STERN 84" RG SLIP COLLAR
 1747881 TOWER, 240SD-04 ALUM WTR SPRTS
 1756513 TOWER, 240SD-04 WTR SPRTS HDWR KIT

FIRE SUPPRESSION SYSTEM - AUTOMATIC

153999 CONN, RING 16/14GA X 8R W/INSUL
 1771026 HALON SYS, AUTO 150CF (1301 HALON) W/CONN
 196337 HALON SYS, AUTOMATIC 150CF (1301 HALON)

BATTERY SWITCH-DUAL W/ 2ND TRAY SINGLE ENG.

1258979 BOOT, BATTERY CABLE 105C "T" BLK 4/0
 1216522 BOOT, BATTERY CABLE 4/0 RED 1"
 1431592 CABLE, BATT SET 240SD-00 W/DUAL BATT KIT
 130435 HOLDER, BATTERY GR27 BLK NYLON W/SS
 1726840 SWITCH, BATTERY SEL W/O LOCK W/O DISC REV 1

COCKPIT COVER W/ TONNEAU COVER

1753502 CANVAS, 240SD-04 BIM CPC W/SNPS RED
 1753499 CANVAS, 240SD-04 TONNEAU CVR W/SNPS RED
 1092162 CANVAS, STRG BAG 12X38 CLOUDBRST TONNEAU/CKPT

BIMINI CANVAS PACKAGE

1753496 CANVAS, 240SD-04 AFT CURT W/SNPS RED
 1753498 CANVAS, 240SD-04 CPC N/SNPS RED
 1753494 CANVAS, 240SD-04 SIDE CURT SET W/SNPS RED
 1753499 CANVAS, 240SD-04 TONNEAU CVR W/SNPS RED
 1753493 CANVAS, 240SD-04 VISOR CURT 3PC CLR/RED
 1780206 CANVAS, 240SD-05 SIDE CURT SET W/SNPS RED
 1780203 CANVAS, 240SD-05 VISOR CURT 3PC CLR/RED
 1092162 CANVAS, STRG BAG 12X38 CLOUDBRST TONNEAU/CKPT
 819524 CANVAS, STRG BAG 19.5X54 GREY 95

TRANSOM TRIM SWITCH

747261 SWITCH, TILT EXTERNAL MOUNT

CD CHANGER, 6 DISC

1733835 STEREO, CD CHANGER 6-DISC DCZ625 C-NET

1757933 ANTENNA, SHAKESPEARE SATELLITE RADIO ANTENNA
 1768304 STEREO, SIRIUS SATELLITE RCVR SIRCL1-1YR

C E OPTION GROUP

140509 BOOT, ENG STARTER RED
 1324458 CABLE, BATT SET 240SD-00 W/OPT BATT SW
 1347053 FOAM, P/C 240SD-00 CONV BILGE 2-PC CE OPT
 1745514 LABEL, PREVENT DISCHARGE OF POLLUTANTS
 1691479 MANUAL, OWNERS - SEA RAY INT'L 12-LANGUAGE
 935155 PLATE, CE OPT C:240SD/12PERSON/950KG
 1726841 SWITCH, BATTERY ON/OFF N/LCK N/DISC RV1
 413070 TAPE, VAC PAK WHT (2"X 36YDS) PRESERVATION

C E FIRE SYSTEM - EUROPEAN DEALERS ONLY

934950 FIRE EXT SYS, FM200 100CF GAS-AUTO
 1771030 FIRE EXT SYS, FM200 100CF GAS-AUTO W/CONN

2.43 TO 1 BRAVO 3 HIGH ALTITUDE GEAR RATIO

949198 OUTDRIVE (HI-ALT), MERC BR-III 2.43:1
 1778005 OUTDRIVE (HI-ALT), MERC BR-III 2.43:1 '05

FORWARD BIMINI TOP & BOOT

1753501 CANVAS, 240SD-04 CAMP TOP BOOT W/EMB RED
 1753500 CANVAS, 240SD-04 CAMP TOP RED
 929026 LIGHT, NAV A/R STERN 84" RG SLIP COLLAR

OWNER ORIENTATION VIDEO - PAL FORMAT

1777029 DVD, 01 CANVAS INSTALLATION SUNDECK
 1510544 VIDEO, 01 CANVAS INSTALLATION SUNDECK PAL
 968339 VIDEO, 97 OWNER ORIENTATION SPBOAT PAL

FORWARD COCKPIT TABLE

876979 BASE, LEG/POST SURF MT ALUM
 795286 CARPET, EXT 12 OZ CHAR #0326 LT NEEDLE PUNCH
 929836 POST, TABLE LEG 24.875" ANOD FLUTED
 1768943 PVC BOARD, 1/2"X 4'X 8' SR PRL INTEFOAM
 1148519 TABLE, T/F CKPT ROUND PRL 99

BOW FILLER CUSHION (S)

1764584 BOARD, HDPE 1/2"X 4'X 8' PEARL
 1355536 FOAM, P/C 240SD-00 BOW FILLER 2-PC SET
 1745515 LABEL, WARNING DO NOT STAND/WALK THIS AREA
 773630 MESH, WHITE 54"
 180406 SLIDE, DELRIN #5 WHT 1-S LOCK
 283069 VINYL FILM, PLAS 1MM X 5'X 830YD
 1579820 VINYL, GRANDE D PLATINUM EXP 1/4"F/B
 1579838 VINYL, GRANDE D PLATINUM EXP FLAT
 1752136 VINYL, MERRITT STINGER CREAM EXP 1/4"F/B
 1752133 VINYL, MERRITT STINGER CREAM EXP FLAT
 180182 ZIPPER, #5 DELRIN CONTINUOUS WHT

CANADIAN CONFORMITY STICKER

1741218 LABEL, STICKER 240SD CANADIAN CONFORMITY

WATER SPORTS TOWER W/WAKEBOARD RACKS

1786803 HARNESS, TOWER 87"
 1745125 LABEL, SKI TOW ROPE BACKLASH
 929026 LIGHT, NAV A/R STERN 84" RG SLIP COLLAR
 1783635 SUPPORT, SR-05 ALUM WAKEBOARD RACK ANODIZED
 1747881 TOWER, 240SD-04 ALUM WTR SPRTS
 1756513 TOWER, 240SD-04 WTR SPRTS HDWR KIT
 1781321 TOWER, 240SD-05 ALUM WTR SPRTS W/STERN LIGHT
 126870 VENT, CLAMSHELL ROPE LCKR 1 5/8"X 1.5"
 1785695 VINYL FILM, 240SD-05 PLAS CVR W/VENTS W/TWR