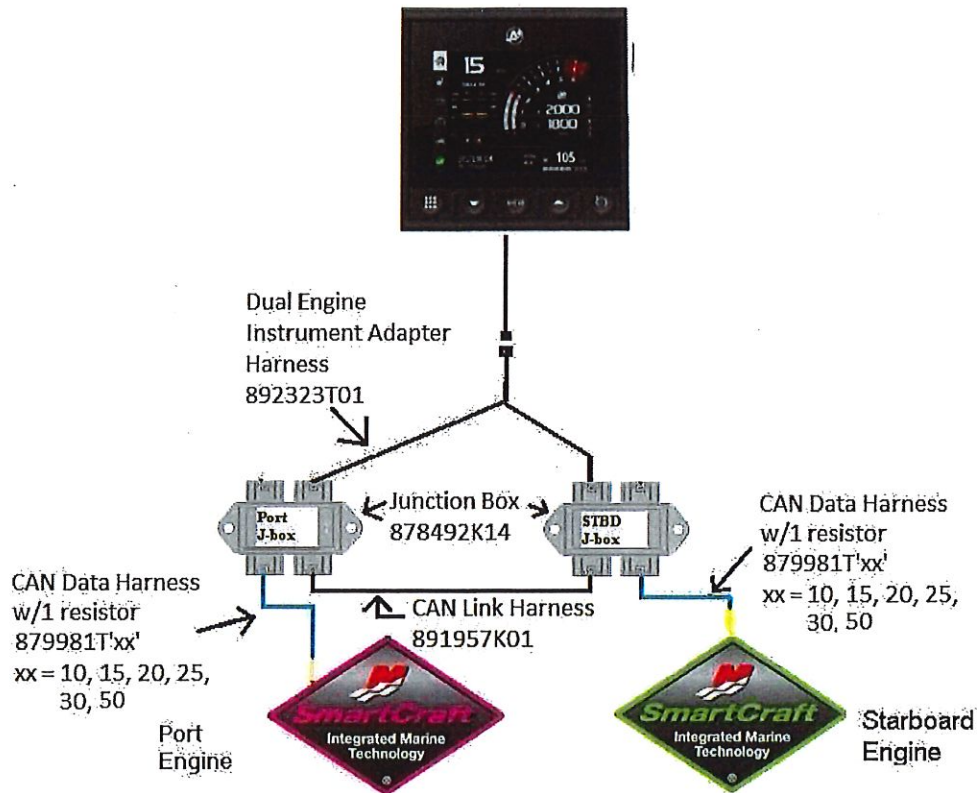


The following parts can be ordered through any Authorized Mercury or MerCruiser Dealer

Vessel View 403 Twin Engine Non-DTS



Here is what is needed for the SmartCraft Network:

<https://mail.google.com/mail/u/0/?ik=989d1df18c&view=pt&search=all&permthid=thread-f%3A1689445862252147516%7Cmsg-f%3A16894458622521...> 1/4

VESSELVIEW403 KIT



8M0124498 **775A26** **1107.51**

⚠ WARNING: Cancer and Reproductive Harm - www.P65Warnings.ca.gov

VesselView403 is a direct sunlight viewable color display for up to 2 engines. Kit includes display and harnessing.

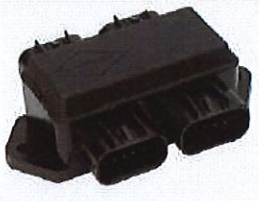
Works with all SmartCraft capable engines 40 HP and above. Single through quad engine applications but display only supports data for up to 2 engines.

CAN DATA HARNESS - 10 PIN - ONE RESISTOR NON DTS (BLUE)



- B4 879981T10** **\$ 68.82**
10 ft. (3.0 meter) SmartCraft data harness with one resistor
Provides data link between SmartCraft System CAN Bus Components
- B4 879981T15** **\$ 83.01**
15 ft. (4.6 meter) SmartCraft data harness with one resistor
Provides data link between SmartCraft System CAN Bus Components
- B4 879981T20** **\$ 89.64**
20 ft. (6.1 meter) SmartCraft data harness with one resistor
Provides data link between SmartCraft System CAN Bus Components
- B4 879981T25** **\$ 91.80**
25 ft. (7.6 meter) SmartCraft data harness with one resistor
Provides data link between SmartCraft System CAN Bus Components
- B4 879981T30** **\$ 103.92**
30 ft. (9.1 meter) SmartCraft data harness with one resistor
Provides data link between SmartCraft System CAN Bus Components
- B4 879981T50** **\$ 119.39**
50 ft. (15.2 meter) SmartCraft data harness with one resistor
Provides data link between SmartCraft System CAN Bus Components
- B4 879981T80** **\$ 127.40**
80 ft. (24.4 meter) SmartCraft data harness with one resistor
Provides data link between SmartCraft System CAN Bus Components

SMARTCRAFT JUNCTION BOX



878492K14 **\$ 83.74**

4-Way SmartCraft Junction Box with (2) weather caps.
Provides connection/distribution point for multiple components on CAN Bus system.

CAN P LINK HARNESS ASSEMBLY



84-891957K01 26C85 \$ 45.65

⚠ WARNING: Cancer - www.P65Warnings.ca.gov
Link cable is connected between junction boxes to allow communication between port and starboard systems in dual applications.

DUAL ENGINE INSTRUMENT ADAPTER



84-892323T01 22C05 \$ 37.48

⚠ WARNING: Cancer - www.P65Warnings.ca.gov
Allows gauges to be powered from any key switch on dual applications
Works with all SmartCraft compatible engines

We hope this information is helpful. Should you have any other questions or concerns, please feel free to contact our office at 920-929-5040 between the hours of 7:30am and 4:30pm Monday through Friday, Central Standard Time.

Best regards,

Arnie Yundt
Consumer Support Specialist
MerCruiser Customer Service

Reference # 2021-8494

This email address is not monitored for replies.

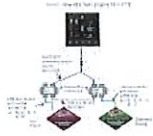
Please do not reply to this email. In order to assure a timely and accurate response, please use the "Contact Us" link on www.mercurymarine.com.

This e-mail message may contain confidential or privileged information. If you are not the intended recipient, please delete the message and any attachments and notify the sender by return e-mail. You should not retain, distribute, disclose, or use any of the information in this message.

This data is internal to Brunswick.

This email message may contain confidential or privileged information. If you are not the intended recipient, please delete the message and any attachments and notify the sender by

return email. You should not retain, distribute, disclose or use any of the information in this message.



Vessel View 403 with twin eng.jpg
119K